




- EN** INSTANTANEOUS ELECTRIC WATER HEATER
- FR** CHAUFFE-EAU ÉLECTRIQUE INSTANTANÉ
- ES** CALENTADOR DE AGUA ELÉCTRICO INSTANTÁNEO
- PT** AQUECEDOR INSTANTÂNEO DE ÁGUA ELÉTRICO
- RU** ПРОТОЧНЫЙ ЭЛЕКТРИЧЕСКИЙ ВОДОНАГРЕВАТЕЛЬ
- AR** سخان مياه كهربائي فوري
- UA** ПРОТОЧНИЙ ЕЛЕКТРИЧНИЙ ВОДОНАГРІВАЧ
- PL** ELEKTRYCZNY PRZEPLYWOWY OGRZEWACZ WODY
















## **GENERAL SAFETY INSTRUCTIONS**

### **CAUTION!**

1. This manual is an integral part of the product. Keep it with care with the appliance, and hand it on to the next user/owner in case of change of property.
2. Read the instructions and warning in this manual carefully, they contain important information regarding safe installation, use and maintenance.
3. The appliance must be installed and commissioned by a qualified technician in accordance with local legislation and health and safety regulations. All power circuits must be shut off before you open the terminal block.
4. DO NOT use the appliance for any other than its specified use. The manufacturer is not liable for damage resulting from improper or incorrect use or failure to observe the instructions given in this manual.
5. Incorrect installation can result in damage to property and injury to persons and animals; the manufacturer is not liable for the consequences.
6. DO NOT leave the packaging materials (staples, plastic bags, expanded polystyrene, etc.) within the reach of children - they can cause serious injury.
7. The appliance is not intended for use by persons under 8 years of age, with reduced physical, sensory or mental capacity, or lacking the requisite experience and familiarity, unless under supervision or following instruction in the safe use of the appliance and the hazards attendant on such use. DO NOT permit children to play with the appliance. User cleaning and maintenance may not be done by unsupervised children.
8. Any repairs, maintenance, plumbing and electrical hookup must be done by qualified technicians using original spare parts only. Failure to observe the above instructions can compromise the safety of the appliance and relieves the manufacturer of any liability for the consequences.
9. The hot water temperature is regulated by a thermostat which also acts as a safety device to prevent dangerous overheating.
10. The electrical hookup must be done as indicated in this manual.
11. If the appliance is equipped with a power cord, the latter may only be replaced by an authorised service centre or professional technician.
12. Make sure to drain the appliance when it is out of service or in an area subject to subzero temperatures.
13. Do not leave flammable materials in contact with or in the vicinity of the appliance.

Symbol	Meaning
	Failure to observe this warning can result in injury, which may even be fatal in certain circumstances
	Failure to observe this warning can result in damage or injury, even to property; plants and animals
	Observe the product's general and specific safety instructions.

## GENERAL SAFETY STANDARDS

Ref.	Warning	Risk	Symbol
1.	Do not open the appliance or remove from its installation	Electrocution hazard due to the presence of live electrical equipment. Personal injury -overheated burns caused by components and wounds caused by sharp edges	
2.	Do not start or stop the appliance by inserting/pulling the power plug	Electrocution hazard due to damage to the power cord, its plug or the socket	
3.	Do not damage the power cord	Electrocution hazard due to bare live wires	
4.	Do not leave objects on the appliance	Personal injury due to objects falling off the appliance as a result of vibration	
		Damage to the appliance or other property due to objects falling off the appliance as a result of vibration	
5.	Do not climb onto the appliance	Personal injury due to falling off the appliance	
		Damage to the appliance or other property due to the appliance itself detaching from its mounting	
6.	Do not clean the appliance without having first switched it off, pulled its power plug or shut off its power switch	Electrocution hazard due to the presence of live electrical equipment	
7.	Install the appliance to a solid wall which is not subject to vibration	Danger of the appliance falling off the wall due to structural collapse, or noisy operation	
8.	Make the electrical hookup with cables of adequate cross-section	Danger of fire due to overheating of undersized electrical wires	
9.	Restore all safety and control functions after working on the appliance and check that they are operational before returning it to service	Damage or blocking of the appliance due to improper control	
10.	Drain all components containing hot water, using the bleed cocks, before handling them	Danger of burns	
11.	Descale the system as given in the products "safety sheet"; when doing so, ventilate the room, wear safety clothing, make sure not to mix products, and protect the appliance itself and any adjacent objects	Personal injury due to contact of the skin and eyes with acid, inhalation or ingestion of noxious chemicals	
		Damage to the appliance and adjacent objects due to corrosion by acid	
12.	Do not use insecticides, solvents or aggressive detergents to clean the appliance	Damage to plastic and painted parts and assemblies	

## TECHNICAL CHARACTERISTICS

For the technical specifications, refer to the nameplate (the nameplate is located on the right side of the water heater).

Product Information										
Power (kW)	5.0	6.0	7.0	7.7	8.0	9.0	9.5	10.5	12.0	12
Voltage	220-240V									400-415
Phases	Mono									3 phase
Installation	Hidden Installation									
Constructions	Close Outlet									
Model	Refer to name plate									
Frequency	50/60hz									
Amper	22.7	27.2	31.8	35.0	36,4	40,9	43,2	47.7	54.5	30
Water Protection	IP24									
Pipe Connection	1/2" BSP									
Minimu, Water Flow	2.1L/Min									
Qelec (kWh)	2.119	2.119	2.224							2.191
max water pressure	8 BAR									
Load Profile	XXS	XXS	XS							XS
Lwa (db)	15db									
Hwh	40%	40%	38%							39%
Rated Volume (lt)	400cc									
Weight	2400 gr									
Dimensions	304 mm x 178 mm x 98 mm									

The power consumption data in the table and the other information given in the Product Data Sheet (Enclosure A to this manual) are defined in relation to EU Directives 812/2013 and 814/2013.

The products without the label and the data sheet for water heaters and solar devices, stipulated in regulation 812/2013, are not intended to be used in such assemblies.

Products equipped with a regulator knob have the thermostat positioned in the <ready to use setting indicated in the Data Sheet (Enclosure A), according to which the relevant energy class has been declared by the manufacturer.

**The product should be connected only to a supply with the relevant system impedance no more than 0.237 ohm.**

**Restrictions to connection may be imposed by the supply authority on the use of equipment in the actual relevant system impedance at the interface point on the user's premise exceeds 0.237 ohm.**

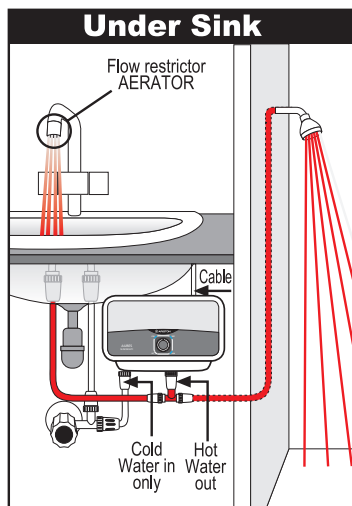
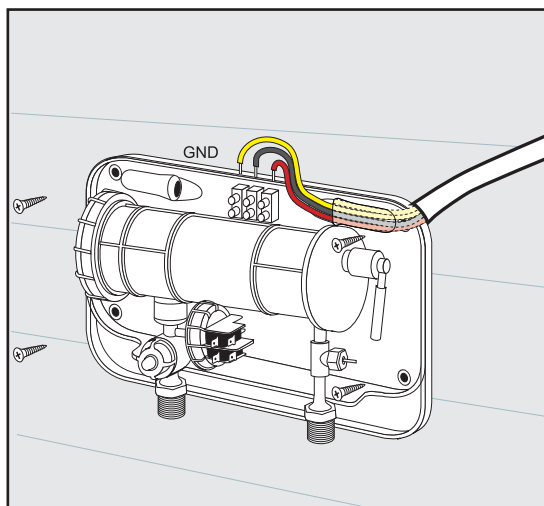
**This appliance is conforming with the international electrical safety standards IEC 60335-1 and IEC 60335-2-35. When present, The CE marking of the appliances attests its conformity to the following EC Directives, of which it satisfies the essential requisites:**

- LVD Low Voltage Directive: EN 60335-1, EN 60335-2-35, EN 60529, EN 62233, EN 50106.
- EMC Electro-Magnetic Compatibility: EN 55014-1, EN 55014-2, EN 61000-3-2, EN 61000-3-3, EN 61000-3-11 and EN 61000-3-12.
- ERP Energy related Products: Eu812, Eu814, EN50193-1-2013

## INSTALLATION INSTRUCTIONS

The appliance must be installed and commissioned by a qualified technician in accordance with established regulations and local health and safety regulations..

1. Open the four screws located on the top and bottom of the device and remove the cover from base.
2. Fix the base horizontally against a wall or side of cabinet, **ground wire must be connected to the unit**, the inlet and outlet water pipes are on the down/bottom side of the unit. Use 4 mounting screws provided.



3. **Use the supplied water filter on the inlet water pipe line (see diagram Page 9).**
4. Connect the incoming water line (cold only) to the inlet water pipe on the bottom left side and the outgoing water line to the outlet water pipe on the bottom right side. Open the mains cock of water supply and check there is no water leakage from the unit.
5. Before performing any operations, disconnect the appliance from the electricity mains using the external switch then connect the power to cable to the appliance. The appliance must be earthed and the earth cable (shown with a letter in the drawing) is fixed to the terminal marked by the symbol  $\oplus$ .
6. Turn on the unit and check that it is operating as required.
7. Reconnect the cover to the base with 4 screws.
8. It is required that a Ground Fault Circuit Interrupter/Earth Leakage Circuit Breaker be incorporated in the circuit.
9. **Make sure to install in the right way the pressure relief valve (supplied with the product) before Inlet pipe (diagram Page 9).**
10. **It is required to install a flow control restrictor (AERATOR) at the sink or shower.**

**11. WARNING: UNIT MUST BE PROPERLY GROUNDED**

**12. THIS HEATER MUST HAVE ITS OWN INDEPENDENT CIRCUIT USING A CORRECTLY RATED CIRCUIT BREAKER AND SUITABLE WIRE, SEE TABLE RECOMMENDED CABLE.**

**OPERATING INSTRUCTIONS**

1. Your new Instant Water Heater is flow activated. Regulate the knob in one of the 3 setting power (Low, Med, High) the product will switch ON and turn on the hot water tap. the heating element will work and warm the water only when there is a flow of water through the appliance.. You will need to allow at least 2.1 liters per minute to flow through the unit in order to activate the Instant Heating System. Run water through the heater for a few minutes.
2. Be sure to every so often clean the spray head of sediment to assure a smooth water flow.
3. Be sure to every so often clean the incoming water filter.
4. Be sure to install your Instant Water Heater in a heated location. The appliance cannot be installed in areas where the temperature may drop critically and there may be a risk that ice may form.
5. The user can adjust the hot water temperature regulating the setting power on the unit. the user can choose till 4 setting poer position:
  - Power - Heating element is off
  - Low - Only the 1st Heating element switches on.
  - Med - Only the 2nd heating element switches on.
  - High - 1st and 2nd heating elements switch on, working together.

**ELCB functionality:**

The built – in ELCB will automatic cut off the power supply in case there is a current leakage as low as 15mA.

ELCB lamp keeps on when ELCB function works properly, it will blink if detects current leakage. in case of thermosta cut off, the ELCB's led will switch off. it will switch on again once the thermostat start activate again.



**Electric leakage test:**

To make sure ELCB function work properly, this procedure is recommended to test at least once a month.

After turn on the electricity and water supply,

1. Press the “TEST” button, the unit should trip and cut off the power supply, All leds lamps should light off.
2. Press the “ RESET” button (C), the unit should resume normal function, ELCB BLU LED should light on.

If the above mentioned prevail, the ELCB functioning in normal condition.

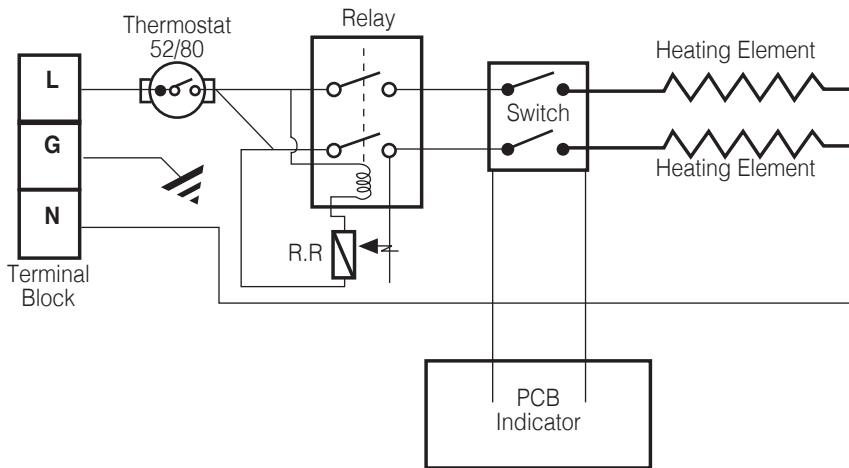
If pressing RESET after you pressed TEST button, the ELCB lamp does not switch on, switch off the mains supply and contact Ariston service for repair. NEVER try to repair the unit by yourself.

## INSTALLATION REQUIREMENTS

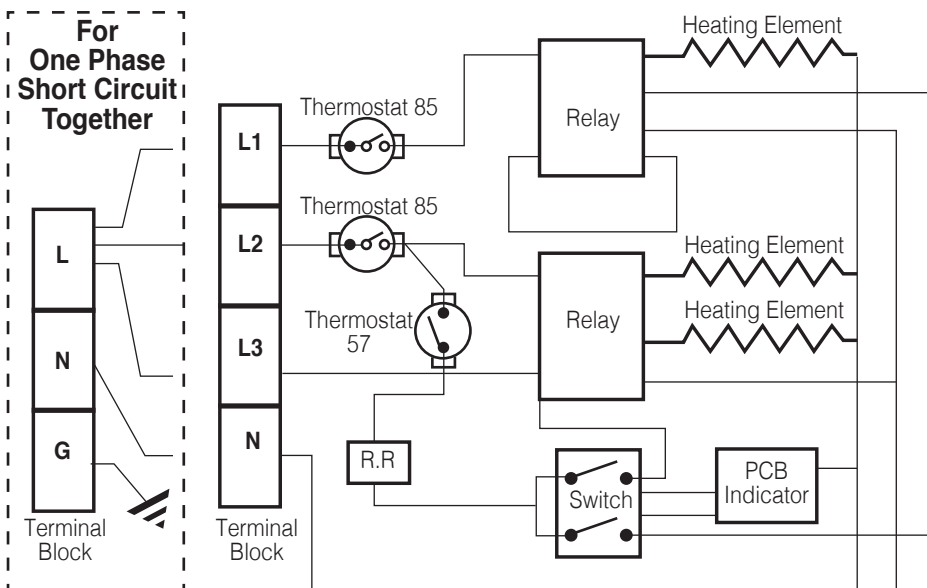
- A. A separate electrical line is required.
- B. The device must be connected to a separate circuit breaker.
- C. The recommended electrical cable for feeding the device, see table I (next page).

## INSTALLATION

### Device with 220V - 240V up to 7.0kW output

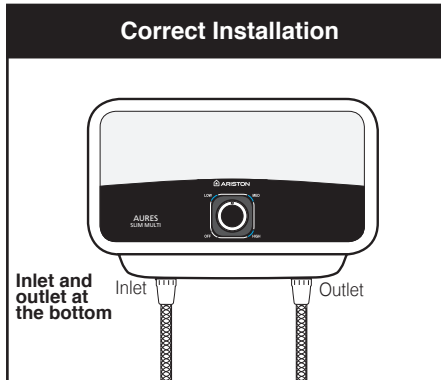


### Device with 220-240v up to 12Kw output & 400-415V 3Phase



## WARNING!

BEFORE BEGINNING ANY WORK ON THE ELECTRICAL INSTALLATION BE SURE THAT THE CIRCUIT BREAKER IS IN THE "OFF" POSITION TO AVOID DANGER OF ELECTRICAL SHOCK



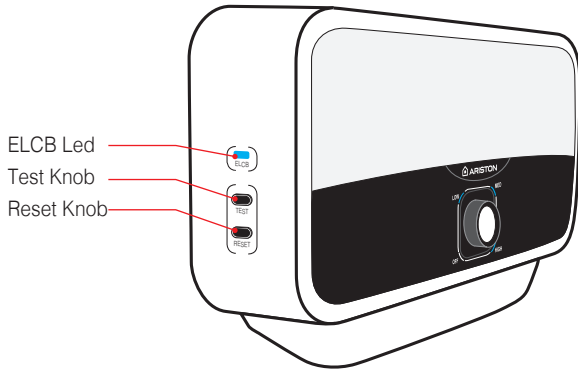
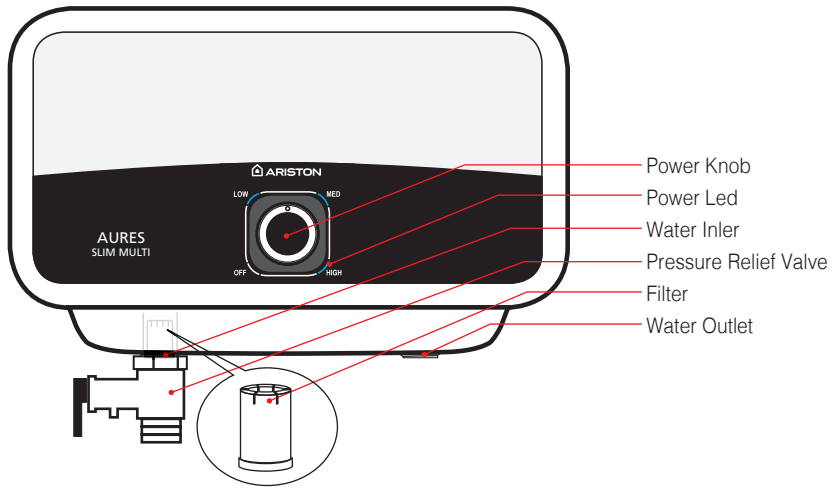
**Table I: Recommended Cable**

Model Name	Amper	220V	230V	240V	Heating Elements	Phases	Min Field wire AWG	Ground AWG
5 kW	22.7	5kW	5.5kW	6kW	2+3	Mono	10	10
5.5 kW	22.7	5kW	5.5kW	6kW	2.2+3.3	Mono	10	10
6 kW	27.2	6.0kW	6.5kW	7.1kW	2.5+3.5	Mono	10	10
7 kW	31.8	7.0kW	7.6kW	8.3kW	3+4	Mono	6	10
7.7 kW	35.0	7.7kW	8.4kW	9.1kW	3.3+4.4	Mono	6	10
8 kW	36.3	8.0kW	8.7kW	9.5kW	3.8+4.2	Mono	6	10
9.5 kW 240V	38.6	8.0kW	8.7kW	9.5kW	4.5+5	Mono	6	10
9.5 kW 230V	41.3	9.0kW	9.5kW	10.7kW	4+5	Mono	6	10
9.5 kW	43	9.5kW	10.3kW	11.3kW	4.5+5	Mono	6	10
10.5 kW	47.7	10.5kW	11.4kW	12.5kW	5.25+5.25	Mono	6	10
12 kW 220V	54,5	12.0kW	13.0kW	14.2kW	4+4+4	Mono	4	8
12 kW	30	12.0kW	13.0kW	14.2kW	4+4+4	3 Phase	4	8

• Operating water pressure 0.5-8 bar (7-116 psi) • Water pressure operated flow switch  
 • Standard 1/2"Ø compression inlet connection • Top-left and right cable entry • Bottom-left water entry

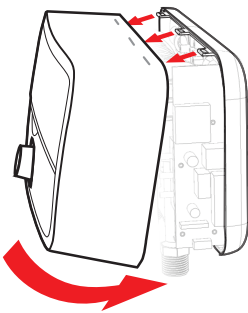
**UNIT DIMENSIONS: HEIGHT 178mm WIDTH 304mm DEPTH 98mm**



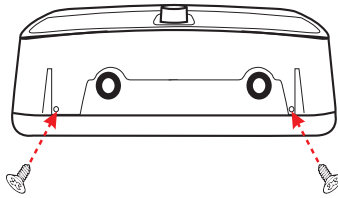


### Close cover Steps

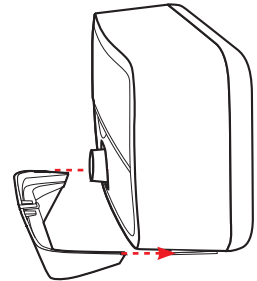
**A**



**B**



**C**



**This product conforms to Directive  
WEEE 2012/19/EU.**



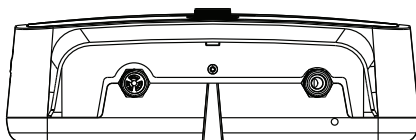
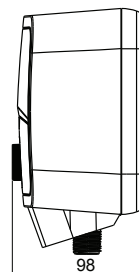
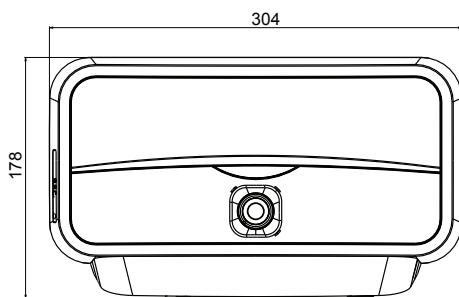
The symbol of the crossed waste paper basket on the appliance indicates that at the end of its working life the product should be disposed of separately from normal domestic household rubbish, it must be disposed of at a waste disposal center with dedicated facilities for electric and electronic appliances or returned to the retailer when a new replacement product is purchased.

The user is responsible for the disposal of the product at the end of its life at an appropriate waste disposal center.

The waste disposal center (which using special treatment and recycling processes effectively dismantles and disposes of the appliance) helps to protect the environment by recycling the material from which the product is made.

For further information about waste disposal systems visit your local waste disposal center or the retailer from which the product was purchased.

## Product sizes






## Troubleshooting
















SYMPTOM	POSSIBLE CAUSE	SOLUTION
Water not hot enough	<p>Too much water flowing through the heater</p> <p>Reduction In the ambient temperature</p> <p>Water Pressure below of 100 kPa</p> <p>Electrical Malfunction</p>	<p>Reduce the flow rate of the water via the outlet tap.</p> <p>Switch to higher temperature setting.</p> <p>Check if the mains stop valve is fully open and that there are no other restriction in the supply line.</p> <p>Have the Heater unit check by a qualified electrician or contact your local authorised distributor.</p>
Water too hot	<p>Not enough Water flowing through the heater</p> <p>Increase in the ambient temperature</p>	<p>Increase the flow rate via the outlet tap</p> <p>Switch to lower temperature setting</p>
Heater switch Off during use	Interruption of mains electrical supply	Check incoming power supply, MCB, switches and supply cabling. Check earth leakage and reset ELSD
Water ceases to flow	<p>Blockage of spray head, twisted or blocked flexible shower hose.</p> <p>No water supply.</p>	<p>Clean or replace spray head, check for free passage of water through hose. Replace as necessary.</p> <p>Check water supply, stop valve Open? and no blockage.</p>
Water temperature varies from hot to cold during use	Water pressure has dropped below min. level.	Increase hot water supply,
No hot water despite fully open hot water faucet	<p>No electrical power</p> <p>The activation flow rate needed to turn on the heating element has not been reached.</p>	<p>Check the circuit breaker and check voltage at the wiring block.</p> <p>Clean filter screen</p> <ul style="list-style-type: none"> <li>• Turn circuit breaker off</li> <li>• Open hot valve to release pressure from the unit.</li> <li>• Turn circuit breaker on.</li> </ul>

## **CONSIGNES DE SÉCURITÉ, GÉNÉRALITÉS MISE EN GARDE !**

1. Cette notice fait partie intégrante du produit. Conservez-la en lieu sûr et remettez-la à l'utilisateur ou au propriétaire suivant en cas de changement d'occupant.
2. Lisez attentivement les consignes et les avertissements contenus dans cette notice. Ils donnent des informations importantes concernant la sécurité de l'installation, de l'utilisation et de l'entretien.
3. L'installation et la mise en service initiale de l'appareil doivent être réalisées par un technicien qualifié, conformément aux lois locales et aux réglementations sur l'hygiène et la sécurité. Tous les circuits d'alimentation doivent être mis hors tension avant d'ouvrir le bornier.
4. N'utilisez PAS l'appareil pour des usages autres que l'usage indiqué. Le fabricant ne saurait être tenu responsable de dommages causés par une utilisation inappropriée ou incorrecte ou le non-respect des consignes données par la présente notice.
5. Une installation incorrecte risque de causer des dommages matériels et de blesser des personnes ou des animaux ; le fabricant ne saurait être tenu responsable des conséquences.
6. NE laissez PAS le matériel d'emballage (agrafes, sachets en plastique, polystyrène expansé, etc.) à la portée des enfants ; ils pourraient causer des dommages corporels graves.
7. L'appareil n'est pas prévu pour être utilisé par des enfants de moins de 8 ans, des personnes ayant des capacités physiques, sensorielles ou mentales réduites, ou dénuées d'expérience ou de connaissance, s'ils ne sont pas surveillés ou si des instructions relatives à l'utilisation de l'appareil en toute sécurité et les dangers connexes à son utilisation ne leur sont pas données. Il faut INTERDIRE aux enfants de jouer avec l'appareil. Un enfant sans surveillance ne doit pas entreprendre le nettoyage ou l'entretien de l'appareil.
8. Tous les travaux de réparation, entretien, plomberie et branchement électrique doivent être réalisés par des techniciens qualifiés, en employant exclusivement des pièces de rechange d'origine. Le non-respect des consignes ci-dessus peut compromettre la sécurité de l'appareil et libère le fabricant de toute responsabilité quant aux conséquences.
9. La température de l'eau chaude est réglée par un thermostat, qui est également un dispositif de sécurité pour éviter le danger de surchauffe.
10. Le branchement électrique doit être réalisé en respectant les consignes de la présente notice.
11. Si l'appareil est doté d'un cordon d'alimentation, il devra être remplacé uniquement par un centre d'entretien agréé ou un technicien professionnel.
12. Veuillez à vidanger l'appareil quand il est hors service ou dans une région où la température peut être négative.
13. Ne pas laisser de matières inflammables en contact ou à proximité de l'appareil.

Symbole	Signification
	Le non-respect de cet avertissement peut causer des dommages corporels, pouvant être mortels dans certaines conditions.
	Le non-respect de cet avertissement peut causer des dommages matériels ou corporels, y compris pour des biens, des plantes ou des animaux.
	Respectez les consignes générales et spécifiques de sécurité du produit.

## NORMES GÉNÉRALES DE SÉCURITÉ

Réf.	Avertissement	Risque	Symbole
1.	Ne pas ouvrir l'appareil ou le retirer de son installation	Danger d'électrocution en raison de la présence de matériel électrique sous tension. Dommages corporels : brûlures par surchauffe causées par des éléments et plaies causées par des bords tranchants	
2.	Ne pas démarrer ou arrêter l'appareil en branchant ou en débranchant la fiche électrique	Danger d'électrocution en raison de l'endommagement d'un cordon d'alimentation, de la fiche ou de la prise	
3.	Ne pas endommager le cordon d'alimentation	Danger d'électrocution en raison de fils sous tension dénudés	
4.	Ne pas poser d'objets sur l'appareil	Dommages corporels provoqués par la chute des objets par suite de vibrations	
		Endommagement de l'appareil ou d'autres biens causé par la chute des objets à cause des vibrations	
5.	Ne pas monter sur l'appareil	Dommages corporels provoqués par la chute de l'appareil	
		Endommagement de l'appareil ou d'autres biens causé par l'appareil qui se détache de ses fixations	
6.	Ne pas nettoyer l'appareil sans l'avoir mis hors tension, l'avoir débranché ou avoir basculé le commutateur d'alimentation	Danger d'électrocution en raison de la présence de matériel électrique sous tension	
7.	Installer l'appareil sur un mur solide, non soumis à des vibrations	Danger de chute de l'appareil en raison d'un effondrement de la structure ou fonctionnement bruyant	
8.	Procéder au branchement électrique au moyen de câbles de section appropriée	Danger d'incendie causé par la surchauffe des fils électriques sous-dimensionnés	
9.	Rétablir toutes les fonctions de sécurité et de commande après toute intervention sur l'appareil et vérifier qu'elles fonctionnent correctement avant de le remettre en service	Dommage ou blocage de l'appareil causé par une commande incorrecte	
10.	Vidanger tous les éléments contenant de l'eau chaude, y compris les robinets de purge, avant de les manipuler	Danger de brûlure	
11.	Détartre le circuit en suivant les consignes de la « fiche de sécurité » du produit ; pour cette opération, ventiler la pièce, porter des vêtements de sécurité, veiller à ne pas mélanger les produits et protéger l'appareil et les quelconques objets se trouvant à proximité	Dommages corporels causés par un contact avec la peau et les yeux, ainsi que par inhalation ou ingestion d'agents chimiques nocifs	
		Dommages corrosifs de l'appareil et des objets se trouvant à proximité causés par de l'acide	
12.	Ne pas utiliser d'insecticides, solvants ou détergents agressifs pour nettoyer l'appareil	Dommages causés aux pièces et assemblages en plastique et peintes	

## CARACTÉRISTIQUES TECHNIQUES

Pour les caractéristiques techniques, se reporter à la plaque signalétique (elle se trouve sur le côté droit du chauffe-eau).

Informations produit										
Puissance (kW)	5,0	6,0	7,0	7,7	8,0	9,0	9,5	10,5	12,0	12
Tension électrique	220-240 V									400-415
Phases	Mono									Triphasé
Installation	Installation masquée									
Construction	Sortie fermée									
Modèle	Voir la plaque signalétique									
Fréquence	50/60 Hz									
A	22.7	27.2	31.8	35.0	36,4	40,9	43,2	47.7	54.5	30
Indice de protection contre l'eau	IP24									
Raccordement des tuyaux	1/2" BSP									
Débit d'eau mini	2,1 l/min									
Qelec (kWh)	2.119	2.119	2.224							2.191
Pression d'eau maxi	8 BAR									
Profil de charge	XXS	XXS	XS							XS
Lwa (db)	15db									
wh	40%	40%	38%							39%
Volume nominal (L)	400 cc									
Poids	2400 g									
Dimensions	(304 mm x 178 mm x 98 mm)									

Les données relatives à la consommation électrique dans le tableau et d'autres informations données par la Fiche technique du produit (annexe A à la présente notice) sont définies conformément aux Directives de l'Union européenne 812/2013 et 814/2013.

Les produits sans étiquette et la fiche technique pour les chauffe-eau et les appareils solaires, stipulés dans le règlement 812/2013, ne sont pas destinés à être utilisés dans ces assemblages.

Le thermostat des produits équipés d'un bouton de réglage est réglé en position Prêt à l'emploi, indiquée dans la fiche technique (annexe A), conformément à laquelle la classe d'énergie pertinente a été déclarée par le fabricant.

**Le produit doit être connecté uniquement à une alimentation dont l'impédance n'est pas supérieure à 0,237 ohms.**

**Des restrictions de branchement peuvent être imposées par l'organe chargé de l'alimentation pour l'utilisation d'équipements dont l'impédance réelle pertinente au point d'interface dans les locaux de l'utilisateur est supérieure à 0,237 ohms.**

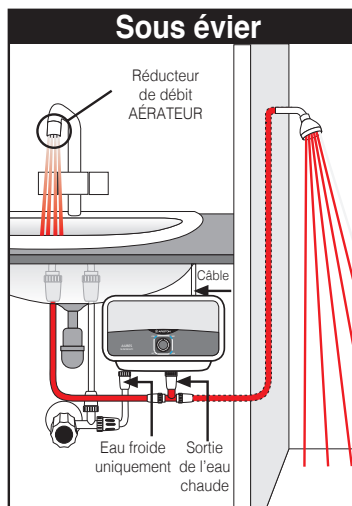
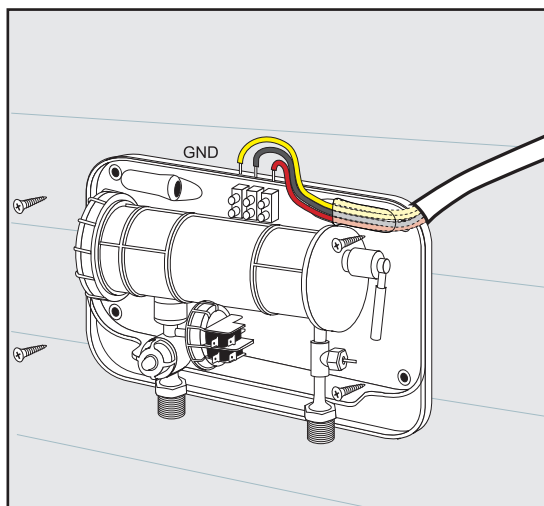
**L'appareil est conforme aux normes internationales de sécurité électrique IEC 60335-1 et IEC 60335-2-35. Quand elle est présente, la marque CE sur les appareils atteste de leur conformité aux directives CE suivantes, dont ils remplissent les critères requis :**

- Directive basse tension (DBT) : EN 60335-1, EN 60335-2-35, EN 60529, EN 62233, EN 50106.
- Compatibilité électromagnétique (CEM) : EN 55014-1, EN 55014-2, EN 61000-3-2, EN 61000-3-3, EN 61000-3-11 et EN 61000-3-12.
- Produits liés à l'énergie (PLE) : Eu812, Eu814, EN50193-1-2013.

## INSTALLATION

L'installation et la mise en service initiale de l'appareil doivent être réalisées par un technicien qualifié, conformément aux règlements en vigueur et aux réglementations locales sur l'hygiène et la sécurité.

1. Dévisser les quatre vis situées en haut et en bas de l'appareil et retirer le capot de la base.
2. Monter la base à l'horizontale contre un mur ou sur la paroi d'un placard. Le **fil de terre doit être connecté à l'appareil**, les tuyaux d'entrée et de sortie d'eau se trouvent en dessous de l'appareil. Utiliser les 4 vis de fixation fournies.



3. **Utiliser le filtre à eau fourni sur le tuyau d'arrivée d'eau (voir le schéma Page 19).**
4. Brancher l'arrivée d'eau (eau froide seulement) sur le tuyau d'arrivée d'eau situé en dessous, à gauche, et la sortie d'eau sur le tuyau de sortie d'eau, situé en dessous, à droite. Ouvrir le robinet d'alimentation en eau et vérifier que l'appareil ne fuit pas.
5. Avant de réaliser des opérations quelconques, couper l'alimentation secteur de l'appareil avec le commutateur externe, puis brancher le câble d'alimentation à l'appareil. L'appareil doit être relié à la terre et le câble de mise à la terre (indiqué par une lettre dans le schéma) est fixé sur la borne marquée du symbole (⊕).
6. Mettre l'appareil en service et vérifier qu'il fonctionne correctement.
7. Remonter le capot sur la base au moyen des 4 vis.
8. Il faut intégrer un disjoncteur de fuite à la terre dans le circuit.
9. **Veiller à installer correctement la soupape de sécurité (fournie avec le produit) avant le tuyau d'entrée (Page 19).**
10. **Il faut installer un réducteur de débit (AÉRATEUR) sur le lavabo ou la douche (Page 19).**

## 11. AVERTISSEMENT : L'APPAREIL DOIT ÊTRE CORRECTEMENT CONNECTÉ À LA TERRE

## 12. CE CHAUFFE-EAU DOIT ÊTRE ÉQUIPÉ D'UN CIRCUIT INDÉPENDANT AVEC UN FIL ET UN COUPE-CIRCUIT D'UN CALIBRE ADAPTÉS. VOIR LE TABLEAU DES CÂBLE RECOMMANDÉS.

### NOTICE D'EMPLOI

1. Votre nouveau chauffe-eau instantané est maintenant alimenté en eau. Le bouton de réglage permet d'utiliser l'un des 3 modes de puissance (Low, Med, High). Le produit est en service et le robinet d'eau chaude est ouvert. L'élément chauffant se met en service pour chauffer l'eau uniquement en présence d'un débit d'eau dans l'appareil. Il faudra régler l'appareil afin d'obtenir un débit minimum de 2,1 litres, permettant d'activer le système de chauffe instantané. Faire couler l'eau dans le chauffe-eau pendant quelques minutes.
2. Veiller à nettoyer la douchette régulièrement afin d'éliminer les dépôts et obtenir un débit d'eau régulier.
3. Veiller à nettoyer régulièrement le filtre d'arrivée d'eau.
4. Veiller à installer le chauffe-eau instantané dans un local chauffé. Il ne faut pas installer l'appareil dans des locaux où la température pourrait descendre à un niveau critique et où le gel est possible.
5. L'utilisateur doit régler la température de l'eau chaude en réglant la puissance de l'appareil. L'utilisateur dispose de 4 réglages de puissance :
  - Power (Alimentation) : l'élément chauffant est désactivé.
  - Low (bas) : seul le premier élément chauffant est activé.
  - Med (moyen) : seul le deuxième élément chauffant est activé.
  - High (haut) : le premier et le deuxième éléments chauffants sont activés et fonctionnent ensemble.

### Interrupteur de courant différentiel résiduel (ELCB) :

L'interrupteur ELCB intégré coupe automatiquement l'alimentation électrique en cas de fuite de courant jusqu'à 15 mA.

Le voyant ELCB est allumé quand l'interrupteur fonctionne correctement. Il clignote en cas de détection d'une fuite de courant. Si le thermostat est coupé, le voyant ELCB s'éteint. Il se rallume une fois que le thermostat fonctionne à nouveau.



#### Test de fuite électrique :

Pour s'assurer que l'interrupteur ELCB fonctionne correctement, il est recommandé de suivre cette procédure au moins une fois par mois.

Après avoir mis l'alimentation électrique et l'alimentation en eau en service :

1. Appuyer sur le bouton « TEST », l'interrupteur disjoncte et coupe l'alimentation électrique. Tous les voyants doivent s'éteindre.
2. Appuyer sur le bouton « RESET » (réinitialiser) (C) ; l'appareil doit fonctionner normalement, le voyant ELCB BLEU doit s'allumer.

Si ce voyant reste allumé, l'interrupteur ELCB fonctionne normalement.

Si en appuyant sur RESET après avoir appuyé sur le bouton TEST, le voyant ELCB ne s'allume pas, couper l'alimentation électrique et contacter le service Ariston pour des travaux de réparation. NE JAMAIS tenter de réparer l'appareil par ses propres moyens.

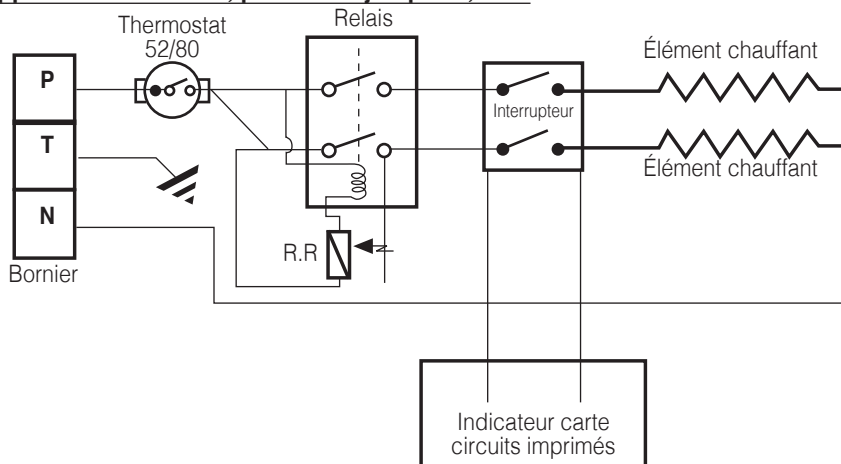


## CONDITIONS D'INSTALLATION

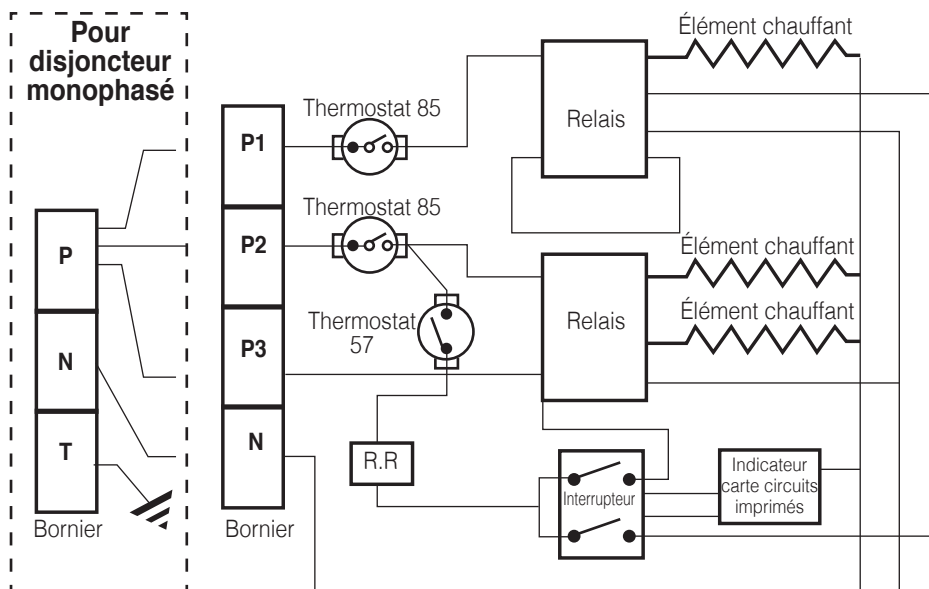
- A. Il faut un branchement électrique individuel.
- B. L'appareil doit être connecté à un disjoncteur distinct.
- C. Le câble électrique recommandé pour alimenter l'appareil doit être utilisé, voir tableau I (page suivante).

## INSTALLATION

### Appareil 220 V - 240 V, puissance jusqu'à 7,0 kW

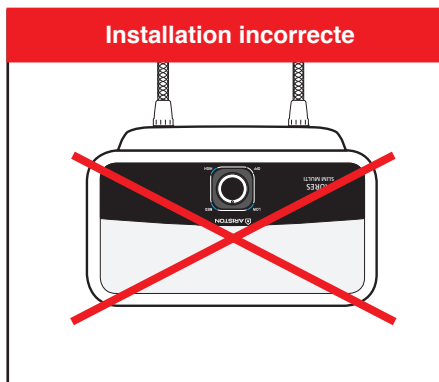
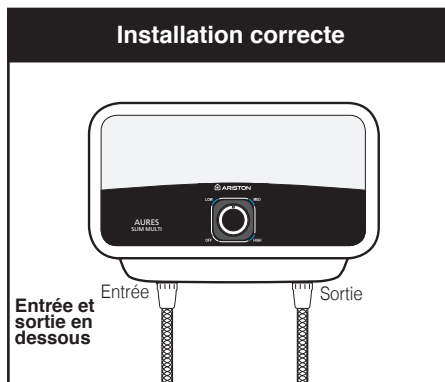


### Appareil 220-240 V, puissance jusqu'à 12 Kw et 400-415 V triphasé



## AVERTISSEMENT !

AVANT D'ENTAMER DES TRAVAUX QUELCONQUES SUR L'INSTALLATION ÉLECTRIQUE, S'ASSURER QUE LE DISJONCTEUR EST EN POSITION « OFF » (ARRÊT) POUR ÉVITER TOUT RISQUE D'ÉLECTROCUTION

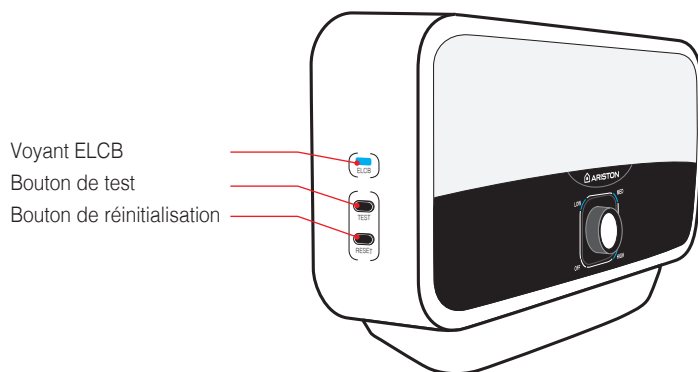
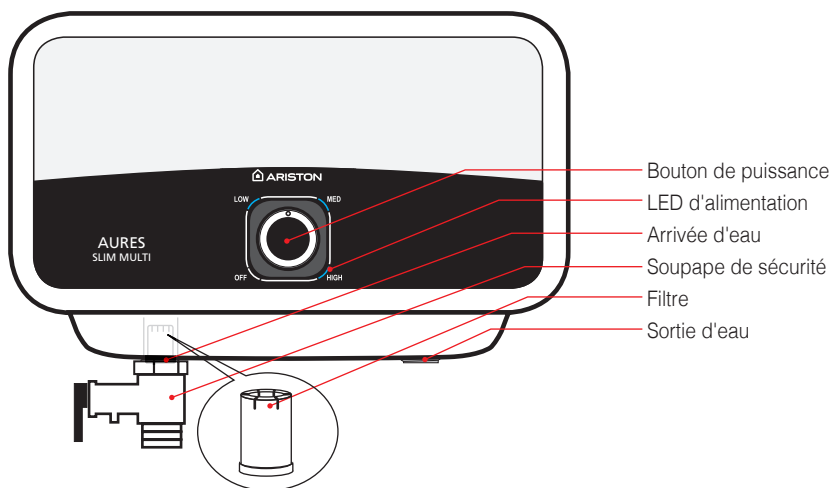


**Tableau I : Câble recommandé**

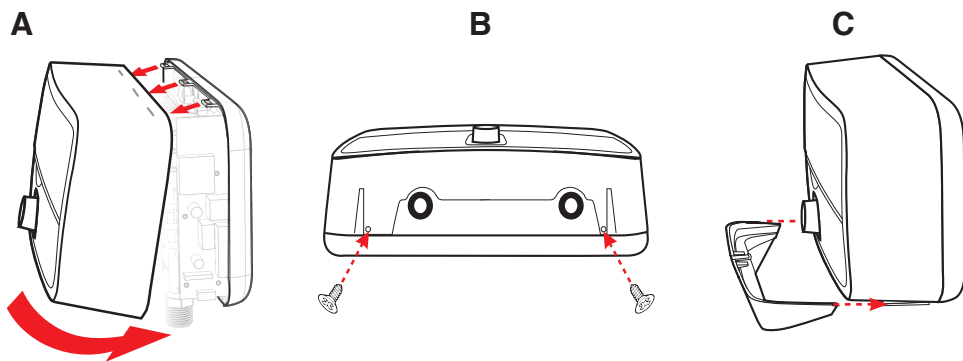
Nom du modèle	A	220V	230V	240V	Éléments chauffants	Phases	AWG mini fil de câblage	AWG terre
5 kW	22,7	5 kW	5,5 kW	6 kW	2+3	Mono	10	10
5,5 kW	22,7	5 kW	5,5 kW	6 kW	2,2+3,3	Mono	10	10
6 kW	27,2	6,0 kW	6,5 kW	7,1 kW	2,5+3,5	Mono	10	10
7 kW	31,8	7,0 kW	7,6 kW	8,3 kW	3+4	Mono	6	10
7,7 kW	35,0	7,7 kW	8,4 kW	9,1 kW	3,3+4,4	Mono	6	10
8 kW	36,3	8,0 kW	8,7 kW	9,5 kW	3,8+4,2	Mono	6	10
9,5 kW 240 V	38,6	8,0 kW	8,7 kW	9,5 kW	4,5+5	Mono	6	10
9,5 kW 230 V	41,3	9,0 kW	9,5 kW	10,7 kW	4+5	Mono	6	10
9,5 kW	43	9,5 kW	10,3 kW	11,3 kW	4,5+5	Mono	6	10
10,5 kW	47,7	10,5 kW	11,4 kW	12,5 kW	5,25+5,25	Mono	6	10
12 kW 220V	54,5	12,0kW	13,0kW	14,2kW	4+4/+4	Mono	4	8
12 kW	30	12,0kW	13,0kW	14,2kW	4+4/+4	Triphasé	4	8

• Pression de service de l'eau 0,5-8 bars (7-116 psi) • Interrupteur de débit de l'eau actionné par la pression de l'eau • Raccord d'entrée standard à sertir de Ø 1/2 pouce • Entrée du câble en haut à gauche et à droite • Arrivée d'eau en bas à gauche

**DIMENSIONS DE L'APPAREIL : HAUTEUR 178 mm LONGUEUR 304 mm LARGEUR 98 mm**



## Étapes de fermeture du couvercle



**Ce produit est conforme à la directive DEEE 2012/19/UE.**



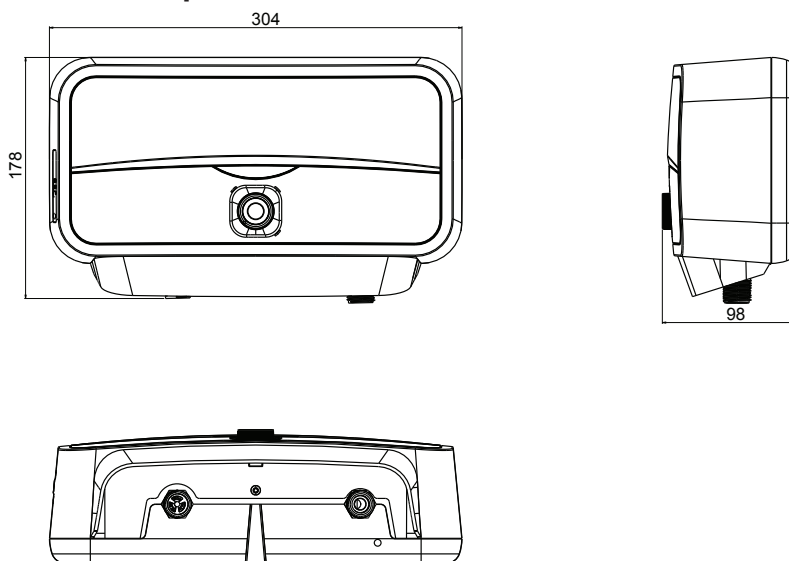
Le symbole de la poubelle barrée sur l'appareil indique qu'à la fin de sa vie de service, le produit doit être mis au rebut séparément du reste des ordures ménagères, il doit être mis au rebut dans un centre d'élimination des déchets équipé des installations dédiées pour les appareils électriques et électroniques ou retourné au détaillant en cas d'achat d'un nouveau produit de remplacement.

L'utilisateur est responsable de la mise au rebut du produit à la fin de sa vie dans un centre approprié d'élimination des déchets.

Le centre d'élimination des déchets (qui met en œuvre des processus spéciaux de traitement et de recyclage pour démonter et mettre au rebut l'appareil), contribue à protéger l'environnement en recyclant le matériau à partir duquel le produit est fabriqué.

Pour en savoir plus sur les systèmes d'élimination des déchets, se rendre dans un centre d'élimination des déchets local ou chez le détaillant où le produit a été acheté.

## Dimensions du produit






## Dépannage

SYMPTÔME	CAUSE POSSIBLE	SOLUTION
L'eau n'est pas assez chaude	Débit d'eau trop élevé dans le chauffe-eau  Réduction de la température ambiante  Pression d'eau inférieure à 100 kPa  Panne électrique	Réduire le débit d'eau au moyen du robinet de sortie.  Régler à une température supérieure.  Vérifier que la vanne d'arrêt est entièrement ouverte et que rien ne restreint la conduite d'alimentation.  Faire contrôler le chauffe-eau par un électricien qualifié ou contacter votre distributeur agréé local.
L'eau est trop chaude	Débit d'eau trop faible dans le chauffe-eau  Augmentation de la température ambiante	Augmenter le débit d'eau au moyen du robinet de sortie.  Régler à une température inférieure.
Le chauffe-eau s'arrête pendant qu'il est en service	Coupure d'alimentation électrique	Vérifier l'alimentation électrique, le disjoncteur, les commutateurs et le câblage de l'alimentation. Vérifier le courant de fuite à la terre et réinitialiser le disjoncteur différentiel.
Absence totale de débit d'eau	Douchette bloquée, flexible de douche tordu ou bloqué.  Aucune alimentation d'eau.	Nettoyer ou remplacer la douchette, vérifier que l'eau s'écoule librement dans le flexible. Remplacer si nécessaire.  Vérifier l'alimentation en eau, que le robinet d'arrêt est ouvert et qu'il n'y a pas de blocage.
Fluctuation de la température du chaud au froid pendant l'utilisation	La pression de l'eau est tombée sous le niveau mini.	Augmenter le débit d'eau chaude.
Absence d'eau chaude malgré que le robinet d'eau chaude soit entièrement ouvert	Aucune alimentation électrique  Le débit d'activation nécessaire pour actionner l'élément chauffant n'a pas été atteint.	Vérifier le coupe-circuit et vérifier la tension au bornier.  Nettoyer le filtre <ul style="list-style-type: none"> <li>• Désactiver le coupe-circuit.</li> <li>• Ouvrir le robinet d'eau chaude pour évacuer la pression de l'appareil.</li> <li>• Enclencher le coupe-circuit.</li> </ul>
















## **INSTRUCCIONES GENERALES DE SEGURIDAD**

### **¡PRECAUCIÓN!**

1. Este manual es parte integral del aparato. Consérvelo cuidadosamente junto con el aparato y entréguelo al siguiente usuario/propietario en caso de cambio de propiedad.
2. Lea detenidamente las instrucciones y advertencias presentes en este manual, contienen información importante a cerca de la instalación, uso y mantenimiento seguros.
3. El aparato debe ser instalado y puesto en funcionamiento por un técnico cualificado de acuerdo con la legislación local en materia de seguridad y salud. Todos los circuitos eléctricos deben apagarse antes de abrir el bloque del terminal.
4. NO utilizar el aparato para otro uso que no sea el especificado. El fabricante no se hace responsable de los daños que deriven de un uso indebido o incorrecto o del incumplimiento de las instrucciones presentes en este manual.
5. Una instalación incorrecta puede ocasionar daños a la propiedad y lesiones a personas y animales; el fabricante no se hace responsable de las consecuencias.
6. NO dejar el material del embalaje (grapas, bolsas de plástico, espuma de poliestireno, etc.) al alcance de los niños; puede causar lesiones graves.
7. El aparato no ha sido diseñado para ser utilizado por niños de edad inferior a 8 años, personas con capacidades físicas, sensoriales o mentales reducidas, o que carezcan de la experiencia y de los conocimientos necesarios, salvo bajo vigilancia o después de haber recibido instrucciones sobre el uso seguro del aparato y haber entendido los peligros inherentes a éste. NO permitir que los niños jueguen con el aparato. Los niños no deben realizar tareas de limpieza y mantenimiento sin supervisión.
8. Reparaciones, tareas de mantenimiento, fontanería y conexión eléctrica deben ser realizadas por técnicos cualificados que utilicen únicamente recambios originales. El incumplimiento de estas instrucciones puede comprometer la seguridad del aparato y exime al fabricante de toda responsabilidad por las consecuencias.
9. La temperatura del agua caliente se regula con un termostato que actúa como dispositivo de seguridad en el caso de temperaturas elevadas que podrían resultar peligrosas.
10. La conexión eléctrica debe realizarse tal y como se indica en este manual.
11. Si el aparato se suministra con un cable de alimentación, éste solo debe ser sustituido por un centro de servicio autorizado o un técnico profesional.
12. Asegúrese de eliminar completamente el agua presente en el interior del aparato cuando esté fuera de servicio o en un área sujeta a temperaturas bajo cero.
13. No dejar materiales inflamables en contacto con o cerca del aparato.

Símbolo	Significado
	El incumplimiento de esta advertencia, puede ser fatal en algunas circunstancias
	El incumplimiento de esta advertencia puede implicar puede ocasionar daños o lesiones, incluso a las cosas, plantas y animales
	Cumplir con las instrucciones de seguridad generales y específicas del producto.

## NORMAS GENERALES DE SEGURIDAD

Ref.	Advertencia	Riesgo	Símbolo
1.	NO abrir el aparato o desinstalarlo	Riesgo de electrocución debido a la presencia de componentes eléctricos. Lesiones a personas: los componentes pueden causar quemaduras y los bordes afilados pueden causar heridas	
2.	No encender o apagar el aparato sin introducir/quitar el enchufe	Riesgo de electrocución a causa del cable de alimentación, su enchufe o la toma de corriente	
3.	No dañar el cable de alimentación	Riesgo de electrocución a causa de la presencia de hilos sin protección	
4.	No dejar ningún objeto encima del aparato	Lesiones por caída de objetos desde el aparato como resultado de la vibración	
		Daño del aparato o alrededor a causa de objetos que se caen del aparato como resultado de la vibración	
5.	No subirse al aparato	Lesiones por caída del aparato	
		Daño del aparato o alrededor a causa de la separación de partes de la estructura del aparato	
6.	No limpiar el aparato sin haberlo apagado antes, desconectado de la corriente o haber apagado el interruptor	Riesgo de electrocución a causa de la presencia de componentes eléctricos	
7.	Instalar el aparato sobre una pared sólida que no esté sujeta a vibraciones	Peligro de que el aparato se caiga de la pared debido a un colapso estructural o funcionamiento ruidoso	
8.	Hacer la conexión eléctrica con cables de sección adecuada	Peligro de incendio debido al sobrecalentamiento de los cables eléctricos de tamaño insuficiente	
9.	Restablecer todas las funciones de seguridad y control tras el funcionamiento del aparato y comprobar que funcionen correctamente antes de volver a utilizar el aparato	Daño o bloqueo del aparato a causa de un control indebido	
10.	Eliminar el agua del interior de los componentes que contengan agua caliente, usando llaves de purga, antes de manipular el aparato	Peligro de quemaduras	
11.	Descalcificar el sistema tal y como se indica en la "ficha de seguridad"; al hacerlo, ventilar la habitación, usar ropa de seguridad, asegurarse de no mezclar productos y proteger el electrodoméstico y los objetos de alrededor	Lesiones por contacto de la piel o de los ojos, inhalación o ingestión de sustancias químicas	
		Daño del aparato u objetos alrededor debido a corrosión causada por sustancias ácidas	
12.	No utilizar insecticidas, solventes ni detergentes agresivos para limpiar el aparato	Daño a las partes plásticas o pintadas	

## CARACTERÍSTICAS TÉCNICAS

Para las especificaciones técnicas, consulte la placa de identificación que se encuentra en el lado derecho del calentador de agua.

Información del producto										
Potencia (kW)	5.0	6.0	7.0	7.7	8.0	9.0	9.5	10.5	12.0	12
Tensión	220-240V									400-415
Fases	Mono									3 fases
Instalación	Instalación oculta									
Fabricación	Salida cerrada									
Modelo	Ver placa									
Frecuencia	50/60hz									
Amperios	22.7	27.2	31.8	35.0	36,4	40,9	43,2	47.7	54.5	30
Protección del agua	IP24									
Conexión del tubo	1/2" BSP									
Caudal mínimo del agua	2.1L/Min									
Qelec (kwh)	2.119	2.119	2.224							2.191
Presión máxima del agua	8 BAR									
Perfil de carga	XXS	XXS	XS							XS
Lwa (db)	15db									
wh	40%	40%	38%							39%
Volumen Nominal (lt)	400cc									
Peso	2400 gr									
Dimensiones	304 mm x 178 mm x 98 mm									

Los datos de consumo de energía en la tabla y otra información dada en la Hoja de datos del producto (Anexo A de este manual) se definen en relación con las Directivas de la UE 812/2013 y 814/2013.

Los productos sin la etiqueta y la hoja de datos para calentadores de agua y dispositivos solares, estipulados en la regulación 812/2013, no están destinados para ser utilizados en dichos conjuntos.

Los productos equipados con un botón regulador tienen el termostato posicionado en la configuración <listo para usar según se indica en la Hoja de datos (Anexo A) y según la cual el fabricante ha declarado la clase de energía pertinente.

**El producto debe conectarse solo a un suministro con un sistema de impedancia relevante de no más de 0,237 ohmios.**

**Las restricciones a la conexión pueden ser impuestas por la autoridad de suministro en relación con el uso del equipo en la impedancia real del sistema relevante en el punto de interfaz en el que la premisa del usuario excede los 0,237 ohmios.**

**Este aparato cumple con los estándares internacionales de seguridad eléctrica IEC 60335-1 y IEC 60335-2-35. Cuando está presente, la marca CE en los aparatos certifica su conformidad con las siguientes Directivas CE, de las cuales cumple con los requisitos esenciales:**

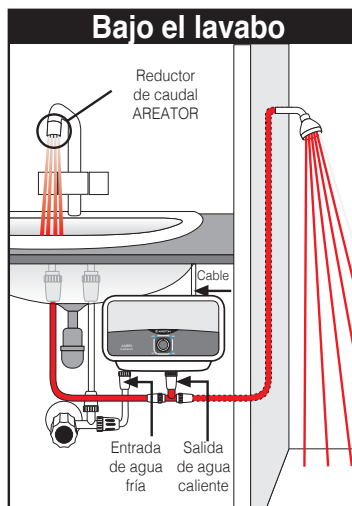
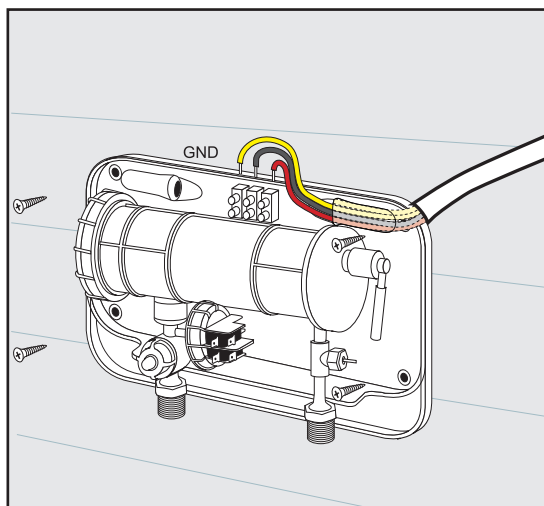
- Directiva de baja tensión LVD: EN 60335-1, EN 60335-2-35, EN 60529, EN 62233, EN 50106.
- Compatibilidad Electromagnética EMC: EN 55014-1, EN 55014-2, EN 61000-3-2, EN 61000-3-3, EN 61000-3-11 y EN 61000-3-12.
- Productos relacionados con la energía ERP: Eu812, Eu814, EN50193-1-2013.



## INSTRUCCIONES PARA LA INSTALACIÓN

El aparato debe ser instalado y puesto en funcionamiento por un técnico cualificado de acuerdo con la legislación local en materia de seguridad y salud.

1. Aflojar los cuatro tornillos situados en la parte superior e inferior del aparato y retirar la tapa de la base.
2. Fijar la base horizontalmente en la pared o a un lado del cuarto de baño **el cable de tierra debe estar conectado al aparato**, las tuberías de entrada y salida del agua deben colocarse en la parte inferior del aparato. Usar los 4 tornillos de montaje que se suministran con el aparato.



3. **Usar el filtro del agua que se suministra junto con la tubería de entrada del agua (ver diagrama Página 29).**
4. Conectar la línea de agua entrante (solo fría) a la tubería de entrada de agua en la parte inferior izquierda y la línea de salida agua a la tubería de salida de agua en la parte inferior derecha. Abrir los grifos de suministro de agua y comprobar que no haya fugas en el aparato.
5. Antes de realizar cualquier operación, desconectar el aparato de la red eléctrica usando el interruptor externo y luego conectar la alimentación eléctrica al aparato. El aparato se debe conectar a tierra y el cable de tierra (con una letra dibujada) se debe fijar en el terminal marcado por el símbolo  $\oplus$ .
6. Encender el aparato y comprobar que funcione correctamente.
7. Volver a montar la tapa con los 4 tornillos.
8. Es necesario incorporar un interruptor de circuito de tierra accidental/interruptor diferencial de tierra en el circuito.
9. **Asegúrese de instalar de manera correcta la válvula de escape de presión (suministrada con el producto) antes de la tubería de entrada (Página 29).**
10. **Es necesario instalar un reductor de control de flujo (AERATOR) en el lavabo o en la ducha.**

**11. ADVERTENCIA: EL APARATO DEBE ESTAR CONECTADO A TIERRA CORRECTAMENTE**

**12. ESTE CALENTADOR DEBE TENER SU PROPIO CIRCUITO INDEPENDIENTE UTILIZANDO UN INTERRUPTOR DE CIRCUITO REGULADO CORRECTAMENTE Y UN CABLE ADECUADO, VEA EL CABLE RECOMENDADO EN LA TABLA.**

## **INSTRUCCIONES PARA EL USO**

1. El calentador de agua instantáneo está en funcionamiento. Regular el botón en una de las 3 posiciones (Low, Med, High), encender el aparato y abrir el grifo del agua caliente. El aparato se pondrá en marcha y calentará el agua únicamente cuando ésta fluya. Deberá dejar fluir al menos 2.1 litros por minuto para activar el sistema de calefacción instantánea. Dejar correr el agua a través del calentador durante algunos minutos.
2. Asegúrese de limpiar a menudo el filtro del grifo para eliminar los sedimentos y permitir que el agua fluya correctamente.
3. Asegúrese de limpiar a menudo el filtro de la entrada del agua.
4. Asegúrese de instalar el calentador de agua en un lugar climatizado. No instalar el aparato en áreas donde la temperatura pueda disminuir drásticamente y donde pueda haber riesgos de formación de hielo.
5. El usuario puede regular la temperatura del agua caliente a través de los ajustes del aparato y elegir hasta 4 posiciones distintas:
  - Power - El calentador está apagado
  - Low - Solamente está encendido el primer calentador.
  - Med - Solamente está encendido el segundo calentador.
  - High - Los calentadores uno y dos están encendidos.

## **Cómo funciona ELCB:**

El ELCB que incluye cortará automáticamente el suministro de corriente en caso de que haya una fuga de corriente igual a 15 mA.

La luz ELCB sigue encendida cuando funciona correctamente, parpadeará si detecta fugas de corriente. En caso de corte del termostato, la luz del ELCB se apagará. Se volverá a encender una vez que el termostato comience a activarse nuevamente.



### **Prueba para fugas de corriente eléctrica:**

Para asegurarse de que la función ELCB funcione correctamente, se recomienda probar este procedimiento al menos una vez al mes.

Después de haber abierto los suministros de luz y agua,

1. Pulsar el botón "TEST", la unidad se desconectará y cortará la corriente eléctrica: todas las luces LED deberían apagarse.
2. Presione el botón "RESET" (C), la unidad debe reanudar la función normal, la luz LED ELCB AZUL se encenderá.

Si lo anteriormente descrito prevalece, el ELCB funciona en condiciones normales.

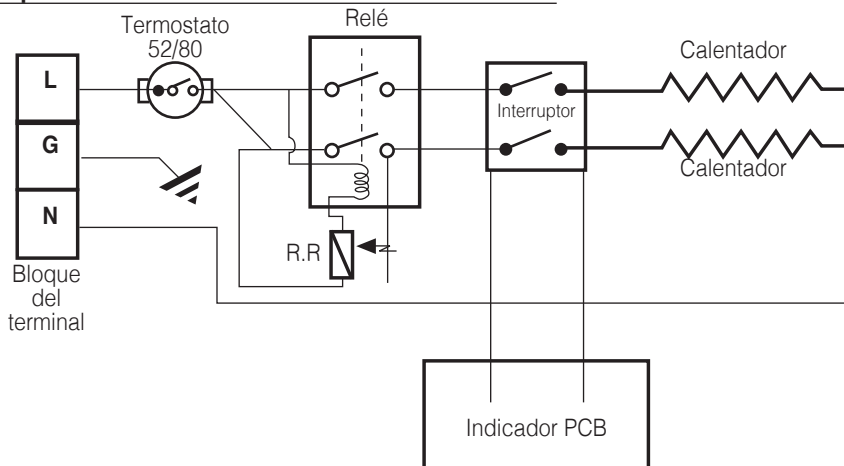
Si al pulsar RESET después de haber pulsado el botón TEST, la lámpara ELCB no se enciende, desconectar todos los suministros y ponerse en contacto con el servicio técnico de Ariston para asistencia. NUNCA intente reparar el aparato usted mismo.

## REQUISITOS PARA LA INSTALACIÓN

- A. Se requiere una línea eléctrica separada.
- B. El dispositivo debe estar conectado a un interruptor diferencial separado.
- C. Consulte la tabla I para ver el cable eléctrico recomendado para alimentar el dispositivo (en la página siguiente).

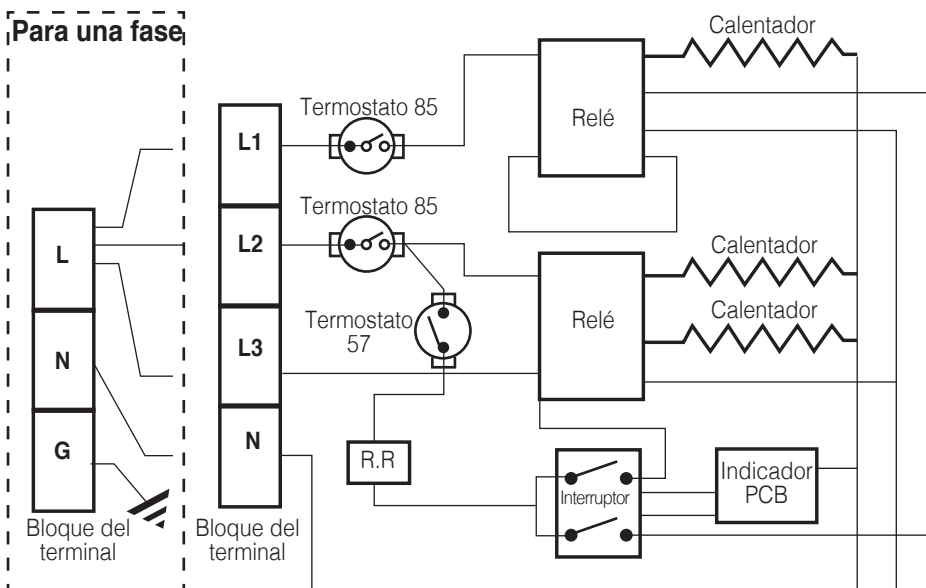
## INSTALACIÓN

### Dispositivo con 220V - 240V hasta 7.0kW de salida



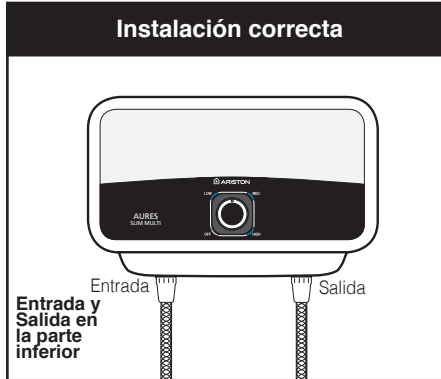
### Dispositivo con 220 - 240V hasta 12Kw de salida y 400-415V 3 Fases

Para una fase,



## ¡ADVERTENCIA!

ANTES DE REALIZAR CUALQUIER TAREA EN LA INSTALACIÓN ELÉCTRICA, ASEGÚRESE DE QUE EL INTERRUPTOR DIFERENCIAL ESTÉ EN LA POSICIÓN DE "OFF" (APAGADO) PARA EVITAR DESCARGAS ELÉCTRICAS

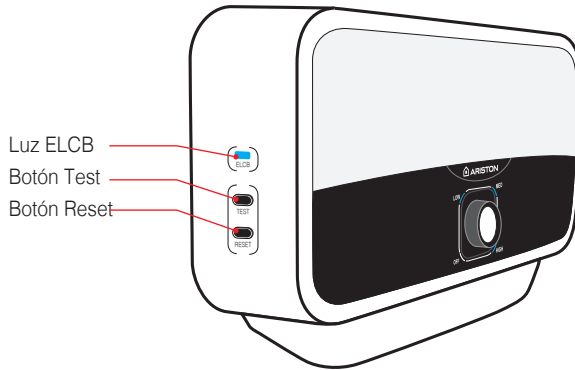
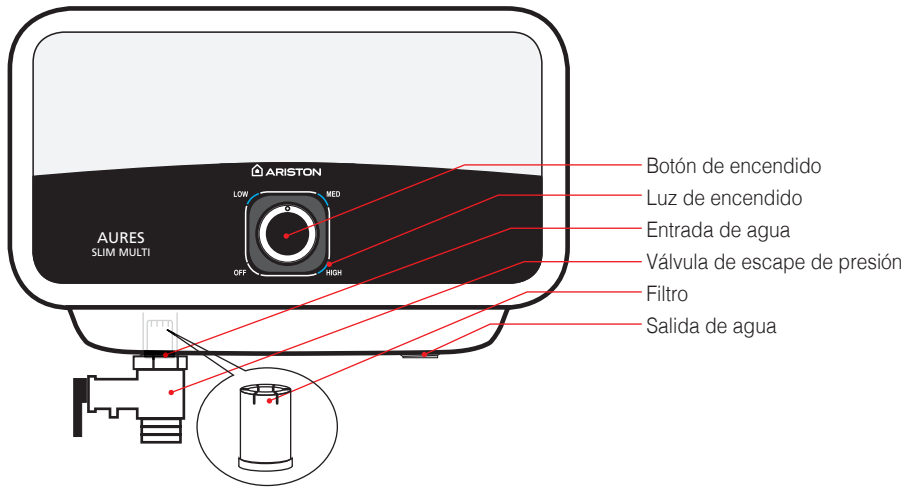


**Tabla I: Cable recomendado**

Nombre del Modelo	Amperios	220V	230V	240V	Calentadores	Fases	Cable AWG Min.	Cable de tierra AWG
5 kW	22,7	5kW	5,5kW	6kW	2+3	Mono	10	10
5,5 kW	22,7	5kW	5,5kW	6kW	2,2+3,3	Mono	10	10
6 kW	27,2	6,0kW	6,5kW	7,1kW	2,5+3,5	Mono	10	10
7 kW	31,8	7,0kW	7,6kW	8,3kW	3+4	Mono	6	10
7,7 kW	35,0	7,7kW	8,4kW	9,1kW	3,3+4,4	Mono	6	10
8 kW	36,3	8,0kW	8,7kW	9,5kW	3,8+4,2	Mono	6	10
9,5 kW 240V	38,6	8,0kW	8,7kW	9,5kW	4,5+5	Mono	6	10
9,5 kW 230V	41,3	9,0kW	9,5kW	10,7kW	4+5	Mono	6	10
9,5 kW	43	9,5kW	10,3kW	11,3kW	4,5+5	Mono	6	10
10,5 kW	47,7	10,5kW	11,4kW	12,5kW	5,25+5,25	Mono	6	10
12 kW 220V	54,5	12,0kW	13,0kW	14,2kW	4+4+4	Mono	4	8
12 kW	30	12,0kW	13,0kW	14,2kW	4+4+4	3 fases	4	8

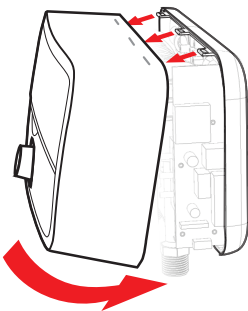
• Presión de funcionamiento del agua 0,5-8 bar (7-116 psi) • Presostato para el flujo del agua  
 • Conexión de comprensión de entrada estándar 1/2"Ø • Entrada para el cable arriba a la izquierda y derecha • Entrada del agua abajo a la izquierda

**MEDIDAS: ALTURA 178mm ANCHURA 304mm PROFUNDIDAD 98mm**

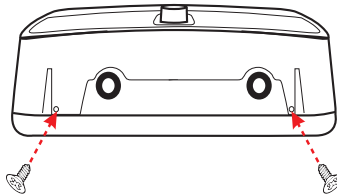


## Pasos para el cierre de la tapa

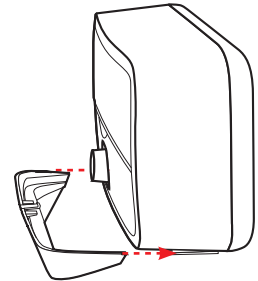
**A**



**B**



**C**



**Este producto cumple con la  
Directiva WEEE 2012/19/UE.**



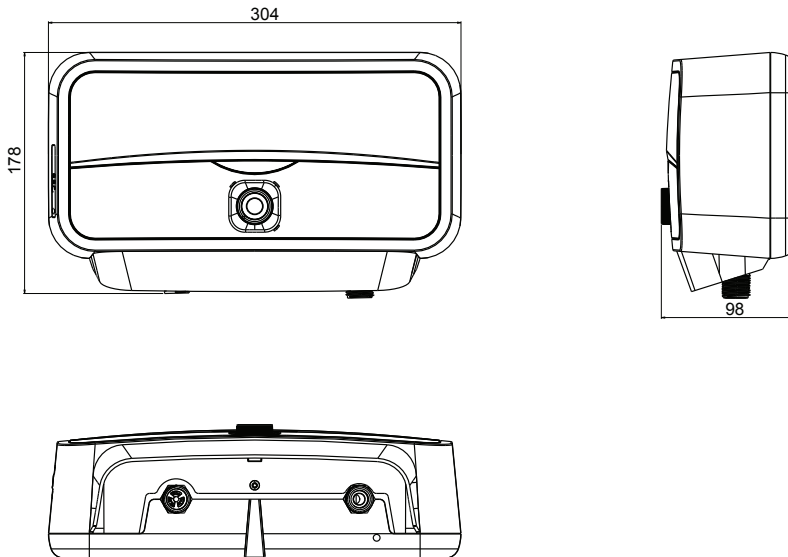
El símbolo de cubo de basura con una cruz que aparece en el aparato indica que, al final de su vida útil, el producto debe eliminarse a parte de la basura doméstica normal, llevándolo a un punto para el tratamiento de residuos con instalaciones especializadas para aparatos eléctricos y electrónicos, o entregándolo al punto de venta cuando se compra un nuevo producto que sustituya el actual.

El usuario es responsable de desechar el producto al final de su vida útil en un punto para el tratamiento de residuos especializado y adecuado.

El punto para el tratamiento de residuos (que mediante procesos especiales de tratamiento y reciclaje desmonta y elimina eficazmente el aparato) contribuye a la protección del medio ambiente reciclando los materiales con los que ha sido fabricado el producto.

Para obtener más información acerca de los sistemas de eliminación de residuos, visite el punto para el tratamiento de residuos más cercano o el minorista donde compró el producto.

## Medidas del producto






## Solución de problemas

PROBLEMA	POSIBLES CAUSAS	SOLUCIÓN
El agua no está suficientemente caliente	<p>Entra demasiado caudal de agua en el calentador</p> <p>Descenso de la temperatura ambiental</p> <p>Presión del agua inferior a 100 kPa</p> <p>Mal funcionamiento eléctrico</p>	<p>Reducir el caudal del agua mediante el grifo del agua.</p> <p>Ajuste una temperatura del agua más alta.</p> <p>Compruebe si la válvula de cierre principal está completamente abierta y si no hay otra restricción en la línea de suministro.</p> <p>Pida a un electricista cualificado que revise el calentador o póngase en contacto con su distribuidor autorizado local.</p>
El agua está demasiado caliente	<p>No entra suficiente caudal de agua en el calentador</p> <p>Aumento de la temperatura ambiental</p>	<p>Aumente el caudal del agua mediante el grifo del agua.</p> <p>Ajuste una temperatura del agua más baja.</p>
El calentador se apaga durante el funcionamiento	<p>La alimentación eléctrica se ha interrumpido</p>	<p>Compruebe el suministro de corriente entrante, los interruptores MCB y el cableado de suministro. Comprobar la corriente de tierra y restablecer ELSA.</p>
No sale agua	<p>La alcachofa está obturada, el tubo flexible de la ducha está doblado o enrollado.</p> <p>No hay suministro de agua.</p>	<p>Limpie o sustituya la alcachofa, compruebe que el agua fluye correctamente por el tubo. Cámbielo si fuera necesario.</p> <p>Compruebe el suministro del agua, que la válvula no esté cerrada o bloqueada.</p>
La temperatura del agua varía de fría a caliente durante el uso	<p>La presión del agua ha descendido hasta el nivel mínimo.</p>	<p>Aumentar el suministro de agua caliente.</p>
No sale agua caliente a pesar de que el grifo está abierto al máximo en esa posición	<p>No hay corriente eléctrica</p> <p>La velocidad de flujo de activación necesaria para encender el calentador no se ha alcanzado.</p>	<p>Comprobar el interruptor y la tensión en el cuadro de cables.</p> <p>Limpia la pantalla del filtro</p> <ul style="list-style-type: none"> <li>• Apagar el interruptor.</li> <li>• Abrir la válvula para vaciar la presión del aparato.</li> <li>• Encender el interruptor.</li> </ul>
















## **INSTRUÇÕES GERAIS DE SEGURANÇA CUIDADO!**

1. O presente manual é parte integrante do produto. Guarde-o cuidadosamente junto do aparelho e entregue-o ao utilizador/proprietário seguinte em caso de mudança de propriedade.
2. Leia com atenção as instruções e os avisos presentes neste manual, pois contêm informações importantes sobre a instalação, utilização e manutenção segura do produto.
3. O aparelho deve ser instalado e colocado em funcionamento por um técnico qualificado em conformidade com a legislação local e os regulamentos em matéria de saúde e segurança. Devem ser desligados todos os circuitos de potência antes de abrir o bloco de terminais.
4. NÃO utilize o aparelho para qualquer outro fim diferente do especificado. O fabricante não se responsabiliza por danos resultantes de um uso indevido ou incorreto ou da não observância das instruções do presente manual.
5. A instalação incorreta pode causar danos materiais e lesões em pessoas e animais. O fabricante não se responsabiliza por quaisquer consequências.
6. NÃO deixe os materiais da embalagem (agrafos, sacos de plástico, poliestireno expandido, etc.) ao alcance das crianças, pois podem causar lesões graves.
7. O aparelho não se destina a ser utilizado por pessoas com menos de 8 anos, com capacidades físicas, sensoriais ou mentais reduzidas ou sem a experiência ou a familiaridade necessárias, a menos que esta utilização seja feita sob a supervisão ou de acordo com as instruções de utilização segura do aparelho e as informações sobre os perigos decorrentes dessa utilização. NÃO deixe que as crianças brinquem com o aparelho. A limpeza e a manutenção não podem ser efetuadas por crianças sem supervisão.
8. Todas as reparações, trabalhos de manutenção, trabalhos de canalizações e ligações elétricas devem ser efetuados por técnicos qualificados utilizando apenas peças de substituição originais. A não observância das instruções acima pode comprometer a segurança do aparelho e isenta o fabricante de qualquer responsabilidade pelas consequências.
9. A temperatura da água quente é regulada por um termóstato que também atua como um dispositivo de segurança para evitar um sobreaquecimento perigoso.
10. As ligações elétricas devem ser efetuadas conforme indicado no presente manual.
11. Se o aparelho estiver equipado com um cabo de alimentação, este só pode ser substituído por um centro de assistência autorizado ou por um técnico profissional.
12. Se o aparelho estiver inativo ou numa zona sujeita a temperaturas negativas, certifique-se de que efetua a drenagem do mesmo.
13. Não deixe materiais inflamáveis em contacto com aparelho ou nas suas proximidades.



Símbolo	Significado
	A não observância deste aviso pode causar lesões, podendo mesmo ser fatais em determinadas circunstâncias.
	A não observância deste aviso pode causar danos ou lesões, incluindo em objetos, plantas e animais.
	Siga as instruções gerais e específicas do produto em matéria de segurança.

## NORMAS GERAIS DE SEGURANÇA

Ref. <sup>a</sup>	Aviso	Risco	Símbolo
1.	Não abra o aparelho nem o remova do seu local de instalação	Perigo de eletrocussão devido à presença de equipamento elétrico sob tensão. Lesões pessoais - queimaduras por sobreaquecimento causadas por componentes e ferimentos causados por arestas vivas.	
2.	Não ligue nem desligue o aparelho inserindo/puxando o cabo de alimentação	Perigo de eletrocussão devido a danos no cabo de alimentação, na ficha ou na tomada.	
3.	Não danifique o cabo de alimentação	Perigo de eletrocussão devido a fios descarnados sob tensão.	
4.	Não deixe objetos no aparelho	Lesões pessoais devido a queda de objetos do aparelho causada por vibrações.	
		Danos no aparelho ou noutros objetos devido a queda de objetos do aparelho causada por vibrações.	
5.	Não suba para o aparelho	Lesões pessoais devido a queda do aparelho.	
		Danos no aparelho ou noutros objetos causados pela separação do aparelho do respetivo suporte de montagem.	
6.	Não limpe o aparelho sem o ter desligado primeiro, sem retirar a ficha elétrica da tomada ou sem desligar o interruptor de alimentação.	Perigo de eletrocussão devido à presença de equipamento elétrico sob tensão.	
7.	Instale o aparelho numa parede sólida que não esteja sujeita a vibrações	Perigo de queda do aparelho da parede devido ao colapso da estrutura ou funcionamento ruidoso.	
8.	Efete as ligações elétricas com cabos com secção transversal adequada	Perigo de incêndio por sobreaquecimento de fios elétricos subdimensionados.	
9.	Restabeleça todas as funções de segurança e controlo após a conclusão dos trabalhos no aparelho e certifique-se de que estão funcionais antes de as reativar	Danos ou bloqueio do aparelho devido a um controlo incorreto.	
10.	Drene todos os componentes com água quente, utilizando as válvulas de purga, antes de os manusear	Perigo de queimaduras.	
11.	Efete a descalcificação do aparelho conforme indicado na "ficha de segurança" dos produtos; quando o fizer, ventile a divisão, use vestuário de proteção, certifique-se de que não mistura produtos e proteja o próprio aparelho e todos os objetos adjacentes	Lesões pessoais devido a contacto da pele e dos olhos com químicos nocivos ou a adição, inalação ou ingestão de químicos nocivos.	
		Danos no aparelho e nos objetos adjacentes devido a corrosão por ácido.	
12.	Não utilize inseticidas, solventes nem detergentes agressivos para limpar o aparelho	Danos nas estruturas e peças de plástico e pintadas.	

## CARACTERÍSTICAS TÉCNICAS

Para obter as especificações técnicas, consulte a placa de identificação (a placa de identificação encontra-se do lado direito do aquecedor de água).

Informações sobre o produto										
Potência (kW)	5,0	6,0	7,0	7,7	8,0	9,0	9,5	10,5	12,0	12
Tensão	220-240V									400-415
Fases	Mono									Trifásica
Instalação	Instalação oculta									
Construções	Saída fechada									
Modelo	Consulte a placa de identificação									
Frequência	50/60 hz									
Amperes	22.7	27.2	31.8	35.0	36,4	40,9	43,2	47.7	54.5	30
Proteção contra água	IP24									
Ligação de tubo	1/2" BSP									
Mínimo, débito de água	2,1 l/min									
Qelec (kWh)	2.119	2.119	2.224							2.191
Pressão máxima de água	8 BAR									
Perfil de carga	XXS	XXS	XS							XS
Lwa (db)	15db									
wh	40%	40%	38%							39%
Volume nominal (l)	400cc									
Peso	2400 g									
Dimensões	304 mm x 178 mm x 98 mm									

Os dados relativos ao consumo de energia e as outras informações fornecidas na ficha de segurança do produto (anexo A do presente manual) foram definidos com base nas Diretivas UE n.º 812/2013 e n.º 814/2013.

Os produtos sem o rótulo e a ficha de dados para aquecedores de água e dispositivos solares, estipulados no regulamento n.º 812/2013, não se destinam a ser utilizados nestes conjuntos.

Os produtos equipados com um botão regulador têm o termóstato posicionado na <definição pronto a utilizar> indicada na ficha de dados (anexo A), de acordo com a classe energética declarada pelo fabricante.

**O produto deve ser ligado apenas a uma fonte de alimentação com uma impedância do sistema não superior a 0,237 ohm.**

**Podem ser impostas restrições de ligação pela autoridade de abastecimento para utilização do equipamento se a impedância real do sistema no ponto de interface das instalações do utilizador exceder os 0,237 ohm.**

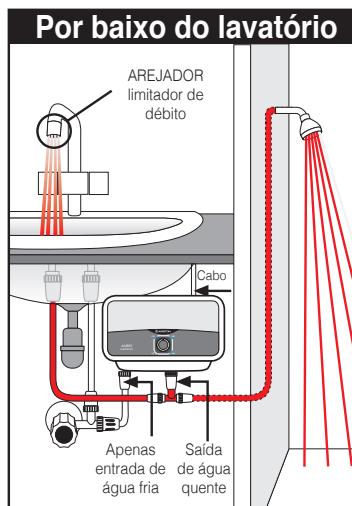
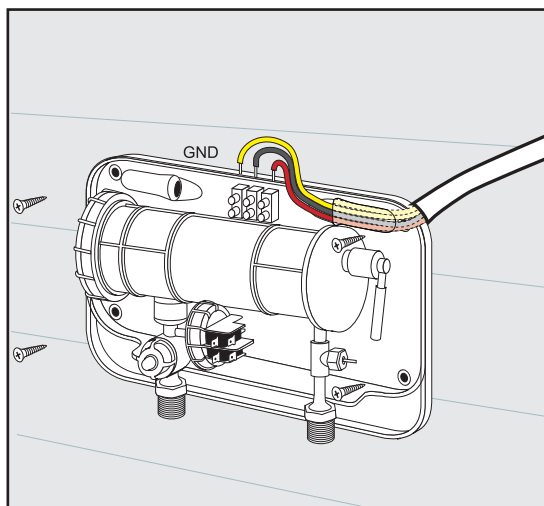
**Este aparelho está em conformidade com as normas internacionais de segurança elétrica IEC 60335-1 e IEC 60335-2-35. Se existente, a marcação CE dos aparelhos atesta a sua conformidade com as seguintes diretivas CE, cujos requisitos essenciais são cumpridos:**

- Diretiva de baixa tensão (DBT): EN 60335-1, EN 60335-2-35, EN 60529, EN 62233, EN 50106.
- Compatibilidade eletromagnética (CEM): EN 55014-1, EN 55014-2, EN 61000-3-2, EN 61000-3-3, EN 61000-3-11 e EN 61000-3-12.
- Produtos relacionados com a energia (ERP): Eu812, Eu814, EN50193-1-2013.

## INSTRUÇÕES DE INSTALAÇÃO

O aparelho deve ser instalado e colocado em funcionamento por um técnico qualificado em conformidade com as regras estabelecidas e com os regulamentos locais em matéria de saúde e segurança.

1. Desaperte os quatro parafusos localizados nas partes superior e inferior do dispositivo e retire a tampa da base.
2. Fixe a base na horizontal contra uma parede ou a parte lateral do armário, **devendo ligar o fio de terra à unidade**. Os tubos de entrada e saída de água encontram-se na parte inferior da unidade. Utilize os 4 parafusos de fixação fornecidos.



3. **Utilize o filtro da água fornecido na canalização da entrada de água (consulte diagrama Página 39).**
4. Ligue na canalização de entrada de água (apenas água fria) o tubo de entrada de água da parte inferior esquerda e na canalização de saída de água o tubo de saída de água da parte inferior direita. Abra a torneira de abastecimento de água da rede e certifique-se de que não existem fugas de água da unidade.
5. Antes de efetuar qualquer operação, desligue o aparelho da corrente elétrica utilizando o interruptor externo e ligue o cabo de alimentação ao aparelho. O aparelho deve ser ligado à terra e o cabo de terra (identificado por uma letra no desenho) é fixado ao terminal marcado com o símbolo ⚡.
6. Ligue a unidade e certifique-se de que está a funcionar normalmente.
7. Fixe novamente a tampa na base com os 4 parafusos.
8. É necessário incorporar um disjuntor contra falhas de terra/disjuntor de fuga à terra no circuito.
9. **Certifique-se de que instala corretamente a válvula de descompressão (fornecida com o produto) antes do tubo de entrada (Página 39).**
10. **É necessário instalar um limitador para controlo do débito (AREJADOR) no lavatório ou chuveiro.**

**11. AVISO: A UNIDADE DEVE ESTAR DEVIDAMENTE LIGADA À TERRA.**

**12. ESTE AQUECEDOR DEVE TER O SEU PRÓPRIO CIRCUITO INDEPENDENTE UTILIZANDO UM DISJUNTOR COM AS ESPECIFICAÇÕES CORRETAS E LIGAÇÕES APROPRIADAS. CONSULTE A TABELA PARA OBTER INFORMAÇÕES SOBRE O CABO RECOMENDADO.**

## **INSTRUÇÕES DE FUNCIONAMENTO**

1. O seu novo aquecedor instantâneo de água é ativado pelo fluxo. Quando regular o botão numa das 3 definições de potência (Low, Med, High), o produto liga-se, abra a torneira de água quente. A resistência começa a funcionar e a aquecer a água apenas quando a água começar a circular no aparelho. Tem de deixar circular pelo menos 2,1 litros por minuto de água na unidade para ativar o sistema de aquecimento instantâneo. Deixe circular a água no aquecedor durante alguns minutos.
2. Certifique-se de que limpa com frequência a cabeça do chuveiro para eliminar os sedimentos e garantir um débito de água regular.
3. Certifique-se de que limpa com frequência o filtro da entrada de água.
4. Certifique-se de que o aquecedor instantâneo de água num local aquecido. O aparelho não pode ser instalado em zonas onde possa existir uma queda drástica da temperatura e onde exista o risco de formação de gelo.
5. O utilizador pode ajustar a temperatura da água quente regulando a definição da potência da unidade. O utilizador pode optar configurar o aparelho em 4 posições de potência:
  - Power (desligar)- A resistência está desligada.
  - Low (baixo) - Só se liga a primeira resistência.
  - Med (médio) - Só se liga a segunda resistência.
  - High (alto) - ligam-se a primeira e a segunda resistências, funcionando em conjunto.

## **Funcionalidade do ELCB:**

O ELCB integrado desligará automaticamente a alimentação elétrica em caso de fuga de corrente num valor de 15mA. A lâmpada do ELCB mantém-se ligada quando a função do ELCB estiver a funcionar corretamente e fica intermitente se detetar fugas de corrente. Em caso de corte do termóstato, o LED do ELCB desliga-se, voltando a ligar-se quando o termóstato for reativado.



### **Teste de fuga elétrica:**

Para se certificar de que a função do ELCB funciona corretamente, é recomendável efetuar este procedimento de teste pelo menos uma vez por mês. Depois de ter ligado a eletricidade e o abastecimento de água,

1. Prima o botão "TEST": a unidade deve disparar e cortar a alimentação elétrica. Devem desligar-se todos os LED.
2. Prima o botão "RESET" (C): a unidade deve retomar o funcionamento normal. O LED AZUL do ELCB deve ligar-se.

Se prevalecer o que foi referido anteriormente, o ELCB está a funcionar normalmente.

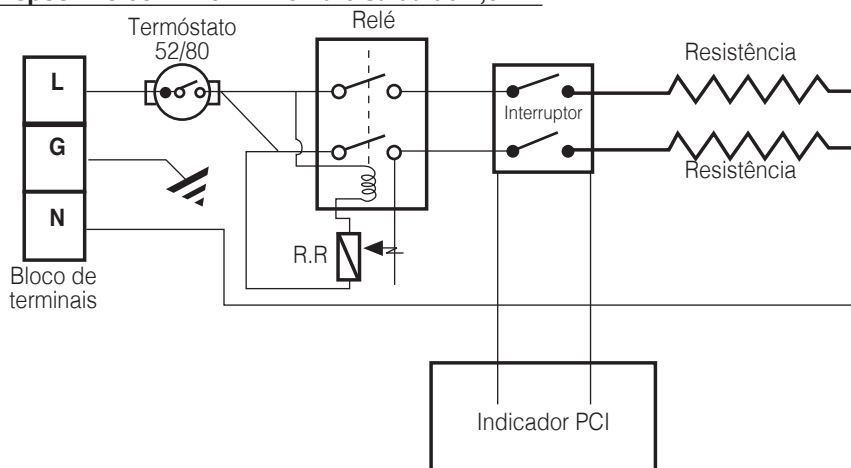
Se premindo o botão RESET após ter premido o botão TEST, a lâmpada do ELCB não se ligar, desligue a alimentação elétrica e contacte o serviço de assistência técnica da Ariston para efetuar a reparação. NUNCA tente reparar a unidade.

## REQUISITOS DE INSTALAÇÃO

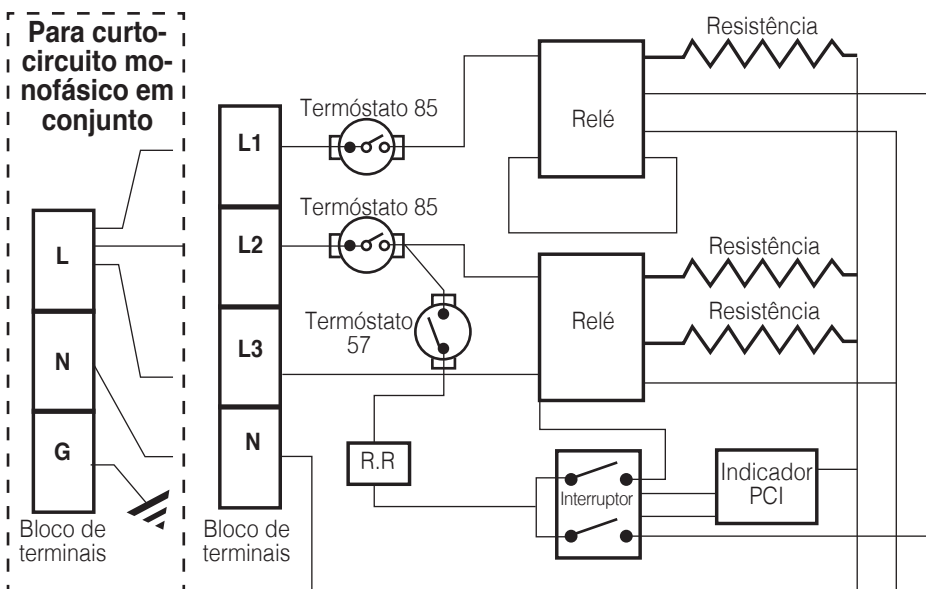
- A. É necessária uma linha elétrica separada.
- B. O dispositivo deve ser ligado a um disjuntor separado.
- C. Para informações sobre o cabo elétrico recomendado para o dispositivo, consulte a tabela I (página seguinte).

## INSTALAÇÃO

**Dispositivo com 220V - 240V até saída de 7,0 kW**

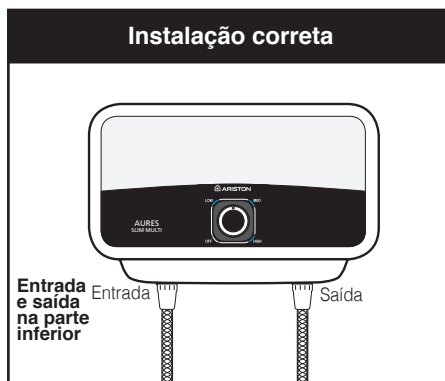


**Dispositivo com 220-240v até saída de 12 Kw e 400-415V trifásica**



## AVISO!

ANTES DE INICIAR QUALQUER TRABALHO NA INSTALAÇÃO ELÉTRICA, CERTIFIQUE-SE DE QUE O DISJUNTOR ESTÁ NA POSIÇÃO DESLIGADA PARA EVITAR RISCO DE CHOQUE ELÉTRICO.

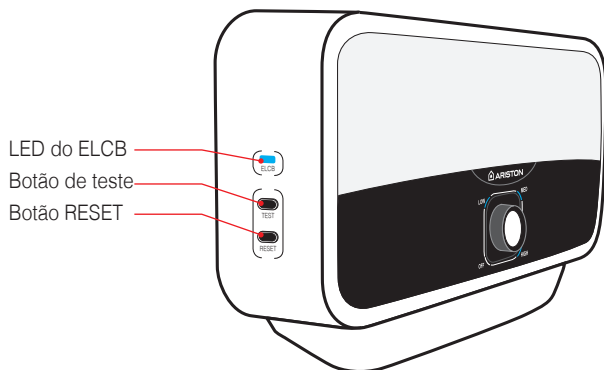
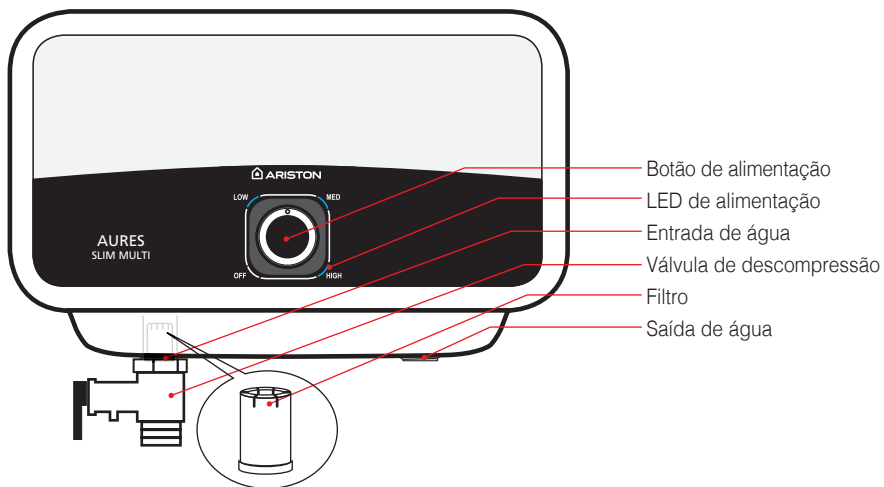


**Tabela I: Cabo recomendado**

Nome do modelo	Ampères	220V	230V	240V	Resistências	Fases	Bitola AWG mínima do fio	Bitola AWG fio de terra
5 kW	22,7	5kW	5,5kW	6kW	2+3	Mono	10	10
5,5 kW	22,7	5kW	5,5kW	6kW	2,2+3,3	Mono	10	10
6 kW	27,2	6,0kW	6,5kW	7,1kW	2,5+3,5	Mono	10	10
7 kW	31,8	7,0kW	7,6kW	8,3kW	3+4	Mono	6	10
7,7 kW	35,0	7,7kW	8,4kW	9,1kW	3,3+4,4	Mono	6	10
8 kW	36,3	8,0kW	8,7kW	9,5kW	3,8+4,2	Mono	6	10
9,5 kW a 240V	38,6	8,0kW	8,7kW	9,5kW	4,5+5	Mono	6	10
9,5 kW a 230V	41,3	9,0kW	9,5kW	10,7kW	4+5	Mono	6	10
9,5 kW	43	9,5kW	10,3kW	11,3kW	4,5+5	Mono	6	10
10,5 kW	47,7	10,5kW	11,4kW	12,5kW	5,25+5,25	Mono	6	10
12 kW 220V	54,5	12,0kW	13,0kW	14,2kW	4+4+4	Mono	4	8
12 kW	30	12,0kW	13,0kW	14,2kW	4+4+4	Trifásica	4	8

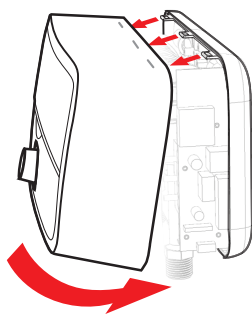
• Pressão de funcionamento da água 0,5-8 bar (7-116 psi) • Interruptor de alimentação do funcionamento da pressão da água • Ligação de entrada de compressão de 1/2"Ø padrão • Entrada do cabo do lado superior esquerdo e direito • Entrada da água do lado inferior esquerdo

**DIMENSÕES DA UNIDADE: ALTURA 178 mm LARGURA 304 mm PROFUNDIDADE 98 mm**

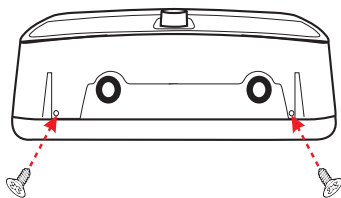


## Passos para fechar a tampa

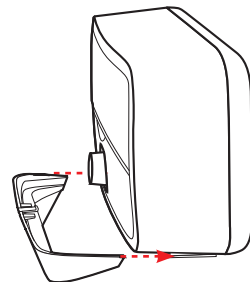
**A**



**B**



**C**



**Este produto está em conformidade  
com a Diretiva REEE 2012/19/UE.**



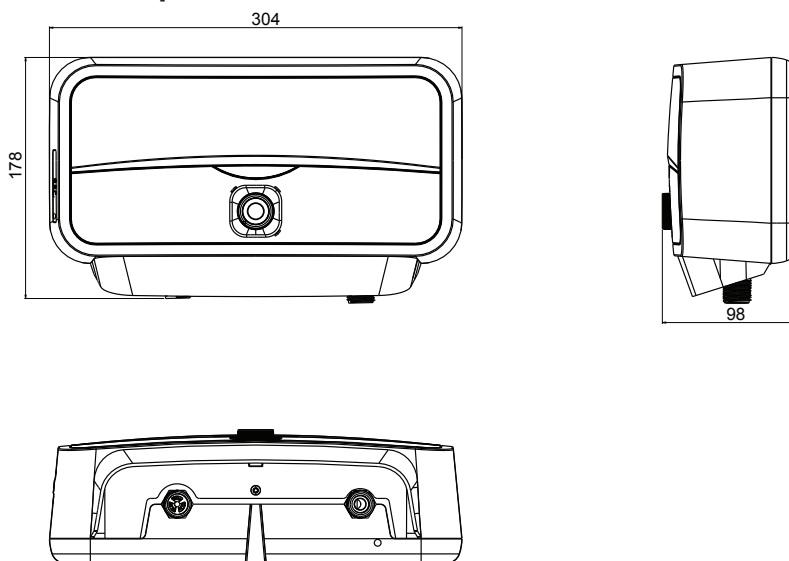
O símbolo do contentor de lixo riscado com uma cruz no aparelho indica que, no fim da sua vida útil, o produto deve ser eliminado separadamente do lixo doméstico, devendo ser entregue num centro de reciclagem de resíduos com instalações dedicadas para equipamentos elétricos e eletrónicos ou devolvido ao revendedor quando adquirir um novo produto.

O utilizador é responsável pela eliminação do produto no fim da sua vida útil junto de um centro de reciclagem de resíduos.

O centro de reciclagem de resíduos (utilizando um tratamento especial e processos de reciclagem, desmantela e elimina eficazmente o aparelho) ajuda a proteger o ambiente através da reciclagem o material que compõe o produto.

Para obter mais informações sobre os sistemas de eliminação de resíduos, visite o sítio da web do centro de reciclagem de resíduos da sua localidade ou consulte o revendedor onde adquiriu o produto.

## Tamanhos do produto








## Resolução de problemas



SINTOMA	CAUSA POSSÍVEL	SOLUÇÃO
A água não é suficiente	Demasiada água a circular através do aquecedor  Redução da temperatura ambiente  Pressão da água abaixo dos 100 kPa  Avaria elétrica	Reduza o débito da água através da torneira de saída.  Mude para uma definição de temperatura mais elevada.  Certifique-se de que a válvula de corte da rede está completamente aberta e de que não existem outras restrições na linha de abastecimento.  Solicite a verificação da unidade do aquecedor a um electricista qualificado ou contacte o seu distribuidor local autorizado.
A água está demasiado quente	Não existe água suficiente a circular através do aquecedor  Aumento da temperatura ambiente	Aumente o débito através da torneira de saída.  Mude para uma definição de temperatura mais baixa.
O aquecedor desliga-se durante a utilização	Corte da rede de abastecimento elétrico	Verifique o abastecimento de energia, o MCB, os interruptores e a cablagem. Verifique a fuga à terra e restabeleça o ELSD.
A água deixa de sair	Obstrução da cabeça do chuveiro, mangueira do chuveiro torcida ou bloqueada.  Não existe abastecimento de água	Limpe ou substitua a cabeça do chuveiro, certifique-se de que a passagem da água através da mangueira está desobstruída. Substitua, se necessário.  Verifique o abastecimento da água, se a válvula de corte está aberta e certifique-se de que não existem obstruções.
A temperatura da água varia entre quente e fria durante a utilização	A pressão da água caiu abaixo do nível mínimo	Aumente o abastecimento de água quente.
Não existe água quente apesar de a torneira da água quente estar completamente aberta	Sem energia elétrica  Não foi atingido o débito de ativação necessário para ligar a resistência.	Verifique o disjuntor e a tensão no bloco de ligação.  Limpe a tela do filtro. <ul style="list-style-type: none"> <li>• Desligue o disjuntor.</li> <li>• Abra a válvula da água quente para libertar a pressão da unidade.</li> <li>• Ligue o disjuntor.</li> </ul>

## **ОБЩИЕ УКАЗАНИЯ ПО ТЕХНИКЕ БЕЗОПАСНОСТИ ОСТОРОЖНО!**

1. Настоящее руководство является неотъемлемой частью изделия. Сохраните его для справки и передайте следующему собственнику при смене владельца.
2. Внимательно ознакомьтесь с инструкциями и предупреждениями в настоящем руководстве. В них содержатся важная информация по безопасному монтажу, эксплуатации и техническому обслуживанию.
3. Прибор должен устанавливать и вводить в эксплуатацию квалифицированный специалист в соответствии с действующими нормами и правилами охраны здоровья и техники безопасности. Перед вскрытием клеммной колодки необходимо отключить все силовые цепи.
4. НЕ пользуйтесь прибором в целях, отличных от указанных. Изготовитель не несет ответственности за повреждения, связанные с неправильным или неприемлемым использованием или несоблюдением инструкций, приведенных в настоящем руководстве.
5. Неправильная установка может привести к повреждению имущества и травмам людей и животных. Изготовитель не несет ответственности за последствия.
6. НЕ оставляйте упаковочные материалы (скобы, пластиковые пакеты, пенопласт и пр.) в зоне досягаемости детей – они могут получить серьезную травму.
7. Дети младше 8 лет, а также лица с ограниченными физическими, сенсорными или умственными способностями или недостаточным опытом и знаниями могут пользоваться данным прибором только под присмотром других лиц или после инструктажа по правильной и безопасной работе с ним и возможных рисках. Не разрешайте детям играть с прибором. Дети без надзора не могут выполнять очистку и техническое обслуживание прибора.
8. Ремонт, техническое обслуживание, подключение к водопроводу и электрической сети должен выполнять только квалифицированный специалист с применением оригинальных запасных частей. Несоблюдение указанных выше инструкций может привести к нарушению системы безопасности прибора, при этом изготовитель снимает с себя всякую ответственность.
9. Температура горячей воды регулируется термостатом, который также является устройством безопасности, предотвращающим опасный перегрев.
10. Подключение к электрической сети следует выполнять согласно инструкциям в настоящем руководстве.
11. Если прибор оснащен шнуром питания, замену такого шнура может выполнять только уполномоченный сервисный центр или профессиональный техник.
12. На период простоя сливайте воду из прибора, это особенно важно в областях, где температура окружающего воздуха может падать ниже нуля.
13. Не оставляйте горючие материалы в контакте или в непосредственной близости с прибором.

Символ	Значение
	Несоблюдение этого предупреждения может привести к травме, даже с летальным исходом в определенных обстоятельствах
	Несоблюдение этого предупреждения может привести к повреждению имущества или травмам людей и животных
	Соблюдайте общие и особые инструкции по технике безопасности при обращении с прибором.

## ОБЩИЕ ПРАВИЛА ТЕХНИКИ БЕЗОПАСНОСТИ

№	Предупреждение	Риск	Символ
1.	Не вскрывать прибор и не вынимать его из корпуса	Удар электрическим током ввиду наличия компонентов под напряжением. Травмирование – ожоги о горячие поверхности и порезы об острые края.	
2.	Не запускать и не отключать прибор, вставляя/вытягивая вилку в/из розетки	Удар электрическим током ввиду повреждения шнура питания, вилки или розетки.	
3.	Не повреждать шнур питания	Удар электрическим током ввиду прикосновения к оголенным проводам под напряжением.	
4.	Не оставлять предметы на приборе	Травмирование ввиду падения предметов с прибора в результате вибрации.	
		Повреждение прибора или другого имущества ввиду падения предметов с прибора в результате вибрации.	
5.	Не влезать на прибор	Травмирование ввиду падения с прибора.	
		Повреждение прибора или другого имущества ввиду отсоединения прибора от его креплений.	
6.	Не чистить прибор без предварительного отключения, вынув вилку из розетки или с помощью выключателя	Удар электрическим током ввиду наличия компонентов под напряжением.	
7.	Установить прибор на прочной стене, не подверженной вибрации	Опасность падения прибора со стены ввиду конструкционного разрушения или шумная работа.	
8.	Выполнять подключение к электрической сети с помощью кабелей достаточного поперечного сечения	Опасность пожара ввиду перегрева проводов недостаточного размера.	
9.	Восстановить все функции безопасности и управления после проведения работ с прибором и убедиться в исправности его работы после возврата в эксплуатацию	Повреждение или блокирование прибора ввиду неправильных настроек управления.	
10.	Перед техническим обслуживанием слить горячую воду из прибора с помощью спусковых кранов	Опасность ожогов.	
11.	Очистить систему от накипи как указано в «паспорте безопасности» изделия; при этом проветрить помещение, пользоваться защитной одеждой, не смешивать разные продукты и защитить сам прибор и расположенные поблизости объекты	Травма ввиду попадания на кожу и в глаза, вдыхание или проглатывания токсических химических веществ.	
		Повреждение прибора и расположенных поблизости объектов ввиду коррозии под воздействием кислоты.	
12.	Не пользоваться инсектицидами, растворителями или агрессивными чистящими веществами для очистки прибора	Повреждение пластиковых и окрашенных частей и узлов.	

## ТЕХНИЧЕСКИЕ ХАРАКТЕРИСТИКИ

Технические характеристики см. на паспортной табличке (которая расположена справа на водонагревателе).

Информация об изделии										
Мощность (кВт)	5,0	6,0	7,0	7,7	8,0	9,0	9,5	10,5	12,0	12
Напряжение	220-240 В									400-415
Количество фаз	одна									3 фазы
Монтаж	Скрытый монтаж									
Исполнение	Закрытый выход									
Модель	См. паспортную табличку									
Частота	50/60 Гц									
Сила тока	22.7	27.2	31.8	35.0	36,4	40,9	43,2	47.7	54.5	30
Защита вод	IP24									
Трубное соединение	1/2" BSP									
Мин. поток воды	2,1 л/мин									
Qэлк (кВтч)	2.119	2.119	2.224							2.191
Макс. давление воды	8 BAR									
Схема нагрузки	XXS	XXS	XS							XS
Lwa (дБ)	15db									
Втч	40%	40%	38%							39%
Номинальный объем (л)	400 см <sup>3</sup>									
Масса	2400 г									
Габаритные размеры	304 мм x 178 мм x 98 мм									

Приведенные в таблице данные потребления электропитания и другая информация, указанная в паспорте изделия (Приложение А к настоящему руководству), определены в соответствии с Директивой ЕС 812/2013 и 814/2013.

Изделия, не имеющие соответствующих отметок на табличках и в паспортах согласно нормам 812/2013, не предназначены для использования в пакетных установках водонагревателей с солнечными батареями.

Изделия с регулирующей ручкой оснащаются термостатом, установленным в положение «готов к использованию» как указано в паспорте (Приложение А), согласно которому изготовитель определяет соответствующий класс энергоэффективности.

**Изделие следует подключать к источнику питания с соответствующим сопротивлением системы не более 0,237 Ом.**

**Энергоснабжающая компания может устанавливать ограничения, если фактическое сопротивление системы в точке подключения потребителя превышает 0,237 Ом.**

**Данный прибор соответствует международным стандартам на электрооборудование IEC 60335-1 и IEC 60335-2-35. При наличии маркировки SE прибор соответствует основным требованиям следующих Директив ЕС:**

- Директива по низковольтному оборудованию: EN 60335-1, EN 60335-2-35, EN 60529, EN 62233, EN 50106.

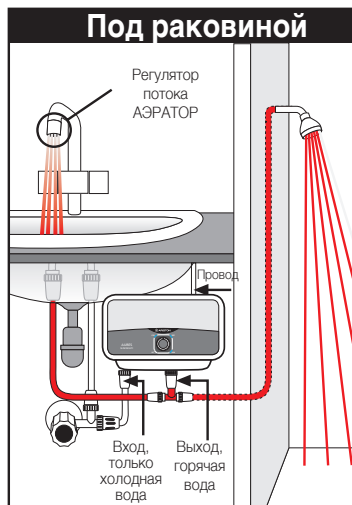
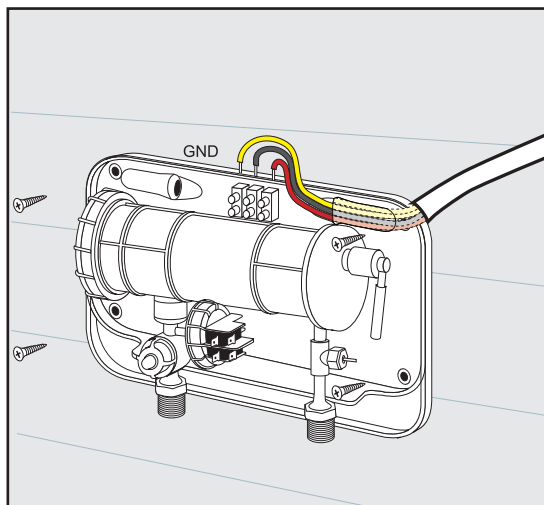
- Электромагнитная совместимость (ЭМС): EN 55014-1, EN 55014-2, EN 61000-3-2, EN 61000-3-3, EN 61000-3-11 и EN 61000-3-12.

- Изделия, потребляющие энергию: Eu812, Eu814, EN50193-1-2013.

## УКАЗАНИЯ ПО МОНТАЖУ

Прибор должен устанавливать и вводить в эксплуатацию квалифицированный специалист в соответствии с действующими нормами и правилами охраны здоровья и техники безопасности.

1. Открутите четыре винта, расположенные сверху и снизу устройства, и снимите крышку с основания.
2. Установите основание горизонтально относительно стены или боковой части шкафа, **подсоединив к прибору провод заземления**, входящую и выходящую трубы водопровода в нижней части устройства. Используйте 4 монтажных винта из комплекта поставки.



3. **Установите водяной фильтр из комплекта поставки на входящей водопроводной трубе (см. прилагающуюся страницу 49).**
4. Подсоедините входящую водопроводную трубу (только холодную воду) к входу прибора снизу слева, а выходную трубу – к выходу снизу справа. Откройте водопроводные краны и убедитесь в отсутствии утечки из прибора.
5. Перед проведением каких-либо работ необходимо отсоединить прибор от электрической сети с помощью внешнего выключателя, а затем подсоединить провод питания к прибору. Прибор необходимо заземлить. Провод заземления (обозначенный буквой на схеме) подсоединяется к клемме, обозначенной символом  $\oplus$ .
6. Включите прибор и проверьте исправность его работы.
7. Верните на место крышку, закрепив ее 4 винтами.
8. Обязательно установите защитный выключатель замыкания на землю в электрической цепи.
9. **Проверьте, правильно ли установлен клапан сброса давления (входит в комплект поставки) перед входом (Страница 49).**
10. **Необходимо установить регулятор потока (АЭРАТОР) на выход в раковину или душ.**

## 11. ПРЕДУПРЕЖДЕНИЕ: ПРИБОР ДОЛЖЕН БЫТЬ ПРАВИЛЬНО ЗАЗЕМЛЕН

12. ДАННЫЙ НАГРЕВАТЕЛЬ ДОЛЖЕН БЫТЬ ОСНАЩЕН НЕЗАВИСИМЫМ КОНТУРОМ С АВТОМАТИЧЕСКИМ ВЫКЛЮЧАТЕЛЕМ С ДОСТАТОЧНЫМИ НОМИНАЛЬНЫМИ ХАРАКТЕРИСТИКАМИ И ПРИЕМЛЕМЫМ ПРОВОДОМ, СМ. ТАБЛИЦУ РЕКОМЕНДУЕМЫХ ПРОВОДОВ.

## ИНСТРУКЦИИ ПО ЭКСПЛУАТАЦИИ

1. Ваш новый проточный водонагреватель включается при наличии необходимого напора воды. Установите ручку в одно из 3 положений (Low, Med, High). Прибор включится и откроет кран горячей воды, нагревательный элемент будет работать и греть воду только при наличии потока воды через прибор. Скорость потока должна составлять не менее 2, 1 литра в минуту, чтобы сработала проточная система нагрева. Дайте воде стечь в течение нескольких минут.
2. Регулярно очищайте лейку от отложений, чтобы гарантировать равномерный поток воды.
3. Регулярно очищайте водяной фильтр на входе.
4. Проточный водонагреватель необходимо монтировать в отапливаемом помещении. Прибор нельзя монтировать в помещениях, где температура воздуха может резко снижаться; это ведет к риску обледенения.
5. Пользователь может регулировать температуру горячей воды, меняя настройку мощности. Возможны 4 варианта настройки:
  - Power - нагревательный элемент выключен
  - Low - включен только первый нагревательный элемент
  - Med - включен только второй нагревательный элемент
  - High - включены оба нагревательных элемента одновременно

## Работа устройства защитного отключения

Встроенное устройство защитного отключения (УЗО) автоматически отключает питание в случае утечки уже на уровне 15 мА.

Если УЗО работает правильно, на приборе горит его индикатор, который начинает мигать в случае обнаружения утечки. При срабатывании термостата индикатор УЗО гаснет. Как только термостат возобновляет работу, индикатор загорается снова.



## Проверка утечки тока

Для проверки исправности работы УЗО рекомендуется выполнять следующие действия не реже одного раза в месяц.

После включения электричества и подачи воды

1. Нажмите кнопку «TEST», прибор отключается, все индикаторы гаснут.
2. Нажмите кнопку «RESET» (C), нормальная работа прибора восстанавливается, загорается синий индикатор УЗО.

Если описанная выше процедура выполняется без сбоев, УЗО работает нормально.

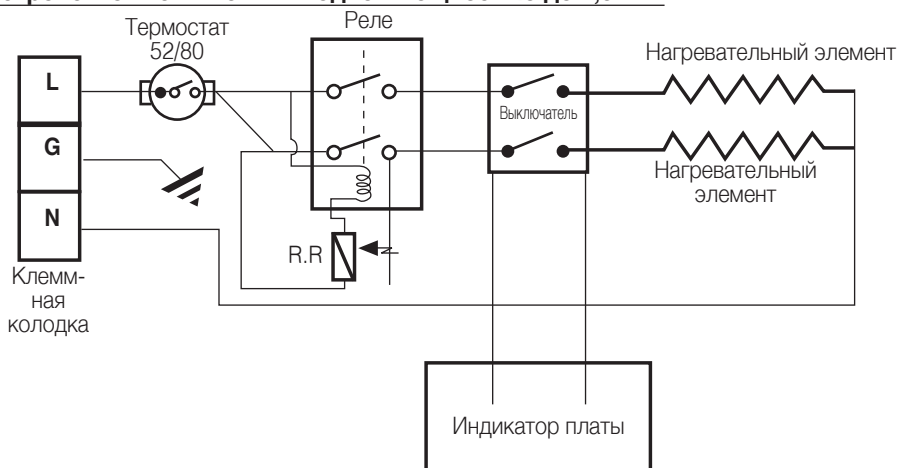
Если при нажатии кнопки «RESET» после нажатия кнопки «TEST» индикатор УЗО не загорается, отключите питание прибора и обратитесь в сервисную службу Ariston. НИ В КОЕМ СЛУЧАЕ не пытайтесь ремонтировать прибор самостоятельно.

## ТРЕБОВАНИЯ К МОНТАЖУ

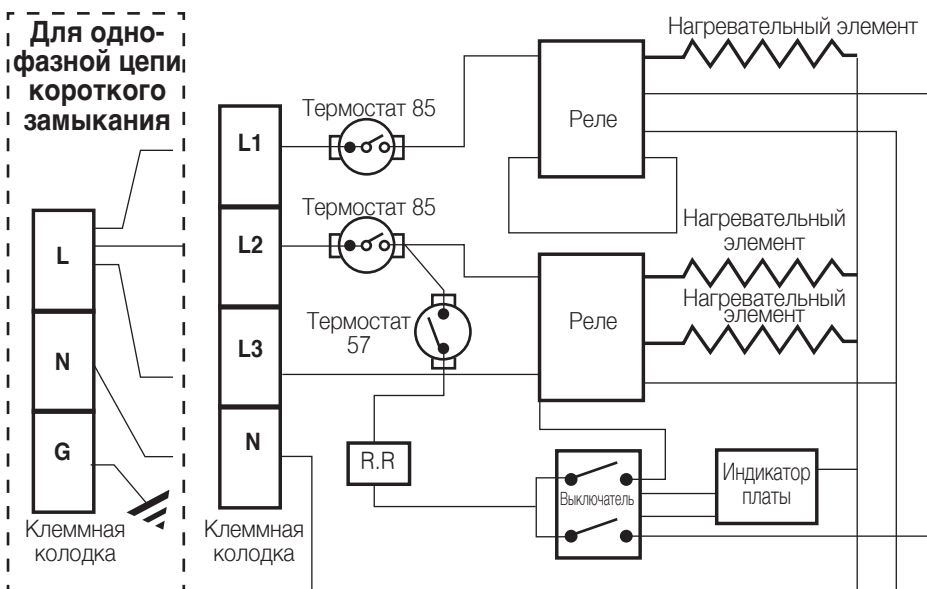
- A. Необходима отдельная электрическая линия.
- B. Устройство следует подсоединять к отдельному автоматическому выключателю.
- C. Рекомендации по выбору провода для подключения электропитания см. в таблице I (на следующей странице).

## МОНТАЖ

### Устройство 220 – 240 В выходной мощностью до 7,0 кВт



### Устройство 220 – 240 В выходной мощностью до 12 кВт и 400 – 415 В, 3 фазы



## ВНИМАНИЕ!

ПЕРЕД НАЧАЛОМ МОНТАЖА ЭЛЕКТРИЧЕСКИХ ЦЕПЕЙ УБЕДИТЕСЬ, ЧТО ВЫКЛЮЧАТЕЛЬ НАХОДИТСЯ В ПОЛОЖЕНИИ «OFF» ВО ИЗБЕЖАНИЕ УДАРА ЭЛЕКТРИЧЕСКИМ ТОКОМ



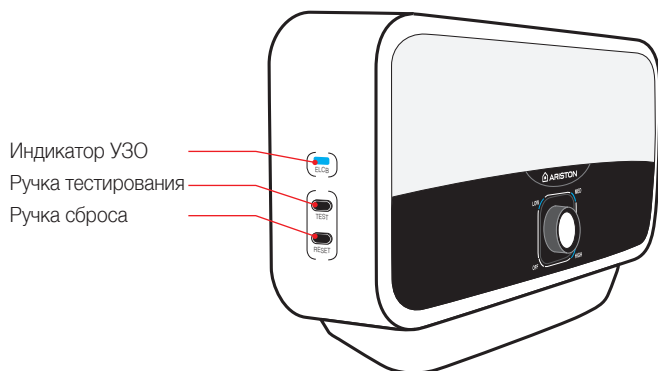
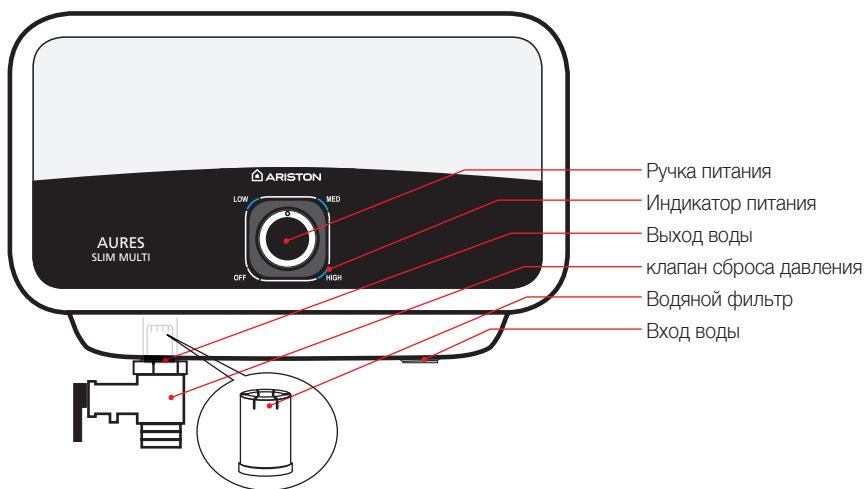
**Таблица I. Рекомендуемые провода**

Наименование модели	Сила тока	220 В	230 В	240 В	Нагревательные элементы	Количество фаз	Мин. AWG провода	AWG заземления
5 кВт	22,7	5 кВт	5,5 кВт	6 кВт	2+3	одна	10	10
5,5 кВт	22,7	5 кВт	5,5 кВт	6 кВт	2,2+3,3	одна	10	10
6 кВт	27,2	6,0 кВт	6,5 кВт	7,1 кВт	2,5+3,5	одна	10	10
7 кВт	31,8	7,0 кВт	7,6 кВт	8,3 кВт	3+4	одна	6	10
7,7 кВт	35,0	7,7 кВт	8,4 кВт	9,1 кВт	3,3+4,4	одна	6	10
8 кВт	36,3	8,0 кВт	8,7 кВт	9,5 кВт	3,8+4,2	одна	6	10
9,5 кВт 240 В	38,6	8,0 кВт	8,7 кВт	9,5 кВт	4,5+5	одна	6	10
9,5 кВт 230 В	41,3	9,0 кВт	9,5 кВт	10,7 кВт	4+5	одна	6	10
9,5 кВт	43	9,5 кВт	10,3 кВт	11,3 кВт	4,5+5	одна	6	10
10,5 кВт	47,7	10,5 кВт	11,4 кВт	12,5 кВт	5,25+5,25	одна	6	10
12 кВт 220 В	54,5	12,0 кВт	13,0 кВт	14,2 кВт	4+4+4	одна	4	8
12 кВт	30	12,0 кВт	13,0 кВт	14,2 кВт	4+4+4	3 фазы	4	8

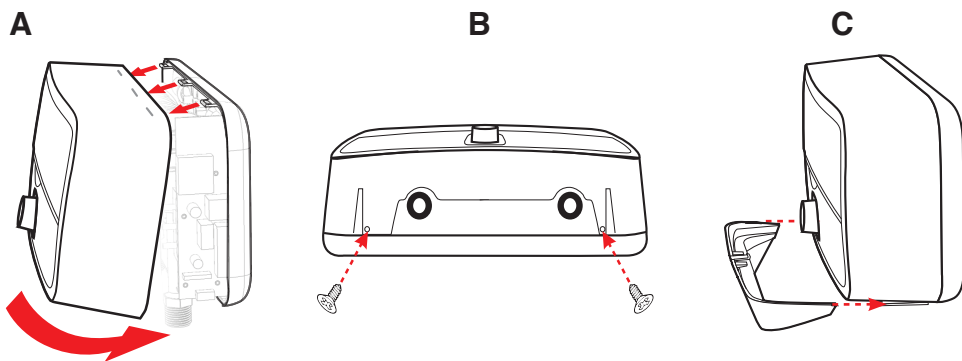
• Рабочее давление воды 0,5-8 бар (7-116 psi) • Выключение питания по давлению воды  
• Стандартное прессуемое соединение Ø1/2" на входе • Ввод провода сверху слева и справа • Ввод воды снизу слева

**РАЗМЕРЫ ПРИБОРА: Высота 178 мм Ширина 304 мм Глубина 98 мм**





## Порядок закрывания крышки



**Данное изделие отвечает  
Директиве WEEE 2012/19/EU.**



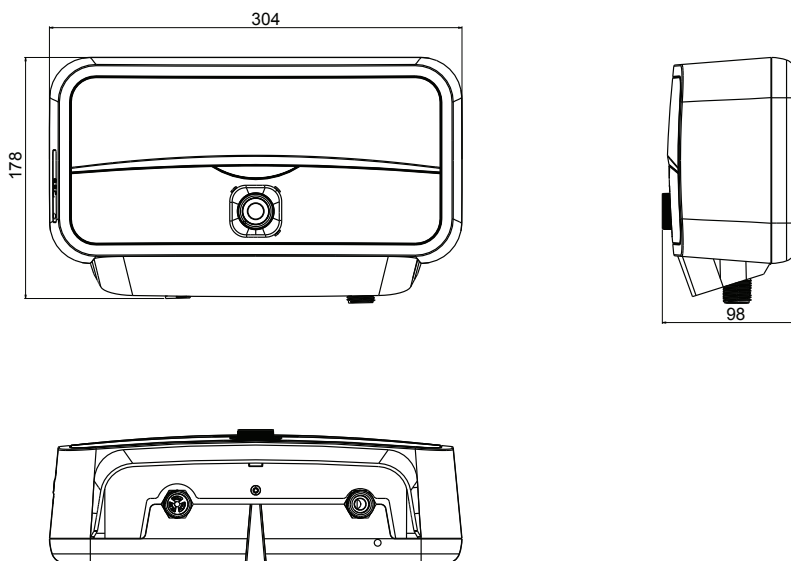
Символ перечеркнутой мусорной корзины на изделии означает, что по завершении срока службы изделие нельзя выбрасывать вместе с обычными бытовыми отходами. Его необходимо сдать в организацию, занимающуюся утилизацией электрического и электронного оборудования или вернуть продавцу при покупке нового изделия.

Пользователь отвечает за правильную утилизацию изделия по окончании срока его службы (сдача в соответствующий центр по переработке отходов).

Организации, занимающиеся сбором и утилизацией вторсырья (и использующие приемлемые методы перемещения, разборки и сортировки отходов), обеспечивают защиту окружающей среды благодаря правильной переработке материалов изделия.

Для получения дополнительной информации по утилизации отходов просьба обращаться в организации по сбору вторсырья или к продавцу изделия.

## Размеры изделия



## Поиск и устранение неисправностей

ПРОБЛЕМА	ВОЗМОЖНАЯ ПРИЧИНА	РЕШЕНИЕ
Вода недостаточно горячая	Слишком сильный поток воды через нагреватель Снижение окружающей температуры Давление воды ниже 100 кПа Неисправность электрической системы	Снизьте напор воды, прикрыв кран. Переключитесь на более высокую настройку температуры. Проверьте, полностью ли открыт магистральный запорный кран, и нет ли других препятствий в линии. Сдайте нагреватель на проверку квалифицированному электрику или обратитесь к местному авторизованному дистрибьютору.
Вода слишком горячая	Недостаточный поток воды через нагреватель Повышение окружающей температуры	Увеличьте напор воды, открыв кран. Переключитесь на более низкую настройку температуры.
Нагреватель отключается в процессе использования	Отключение электричества в сети	Проверьте подачу электропитания, автоматический выключатель, переключатели и питающий провод. Проверьте утечку на землю и сбросьте аварийную защиту.
Вода перестает течь	Лейка душа закупорена или перекошена, закупорен гибкий шланг душа. Нет подачи воды.	Очистите или замените лейку, проверьте свободно ли вода проходит по шлангу. Замените при необходимости. Проверьте, есть ли вода в системе, открыт ли запорный кран, и нет ли закупорок.
Температура воды меняется с горячей на холодную во время использования	Давление воды упало ниже минимального уровня.	Увеличьте подачу горячей воды.
Нет горячей воды, несмотря на полностью открытый кран	Нет электричества Не достигнут необходимый для включения нагревательного элемента напор воды.	Проверьте положение автоматического выключателя и напряжение в сети. Очистите сетчатый фильтр <ul style="list-style-type: none"> <li>• Выключите автоматический выключатель.</li> <li>• Откройте кран горячей воды, чтобы сбросить давление в приборе.</li> <li>• Включите автоматический выключатель.</li> </ul>

## استكشاف الأخطاء وإصلاحها

علامة الخلل	السبب المحتمل	الحل
عدم كفاية سخونة المياه	كثرة تدفق المياه عبر سخان انخفاض درجة الحرارة المحيطة  انخفاض ضغط المياه عن 100 كيلو باسكال  عطل كهربائي	قم بخفض معدل تدفق المياه عبر صنبور الإخراج. اختر التبديل إلى إعداد درجة حرارة أعلى.  تحقق مما إذا كان الصمام الرئيسي الحابس مفتوحًا بالكامل وأنه لا يوجد انسداد آخر في خط الإمداد. يمكنك الاستعانة بفني كهرباء مؤهل لفحص وحدة السخان أو التواصل مع الموزع المحلي المعتمد في منطقتك.
شدة سخونة المياه	عدم كفاية تدفق المياه عبر السخان ارتفاع درجة الحرارة المحيطة	قم برفع معدل تدفق المياه عبر صنبور الإخراج. اختر التبديل إلى إعداد درجة حرارة أقل.
توقف عمل السخان أثناء الاستخدام	انقطاع التيار الكهربائي الرئيسي	قم بفحص مصدر إمداد الطاقة الداخلة وقاطع الدائرة الصغيرة (MCB) والمفاتيح وكابلات إمداد الطاقة. وقم بفحص التسرب الأرضي وإعادة ضبط جهاز استشعار تسرب الكهرباء (ELSD)
توقف تدفق المياه	انسداد رأس الدش أو التواء خرطوم الدش المرن أو انسداده.  انقطاع المياه.	يمكنك تنظيف رأس الدش أو استبداله، والتحقق من مرور المياه عبر الخرطوم بدون معوقات. ويجب استبداله حسب الضرورة. يمكنك فحص مصدر إمداد المياه للتحقق من انفتاح الصمام الحابس وعدم انسداده.
تغيّر درجة حرارة المياه لتتحول من ساخنة إلى باردة أثناء الاستخدام	انخفاض ضغط المياه إلى دون مستوى الحد الأدنى.	قم بزيادة إمداد المياه الساخنة،
عدم وجود مياه ساخنة رغم انفتاح صنبور المياه الساخنة عن أخره	انقطاع الطاقة الكهربائية  عدم الوصول إلى معدل تدفق التنشيط اللازم لتنشغيل عنصر التسخين.	قم بفحص قاطع الدائرة وفحص الفولطية في مجمّع الأسلاك.  تنظيف شبكة الترشيح • أوقف تشغيل قاطع الدائرة. • افتح الصمام الساخن لتنشيط الضغط من الوحدة. • اختر تشغيل قاطع الدائرة.

يتوافق هذا المنتج مع التوجيه الخاص بالنفايات  
الكهربائية والأجهزة الإلكترونية رقم EU/2012/19.



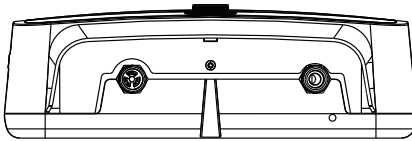
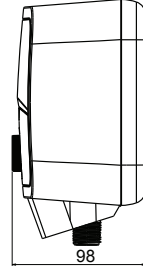
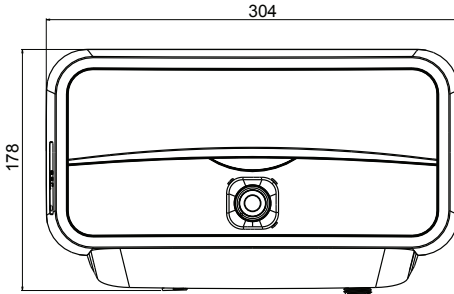
إنّ رمز سلة النفايات الورقية المشطوب عليها بعلامة متقاطعة، والذي يظهر على الجهاز يشير إلى أنّه بنهاية العمر التشغيلي للمنتج، يجب التخلص منه بشكل منفصل عن القمامة المنزلية العادية، على أن يتم ذلك في مركز للتخلص من النفايات مزود بمرافق مخصصة للأجهزة الكهربائية والإلكترونية، أو يتم إعادته إلى بائع التجزئة عند شراء منتج جديد بدلاً منه.

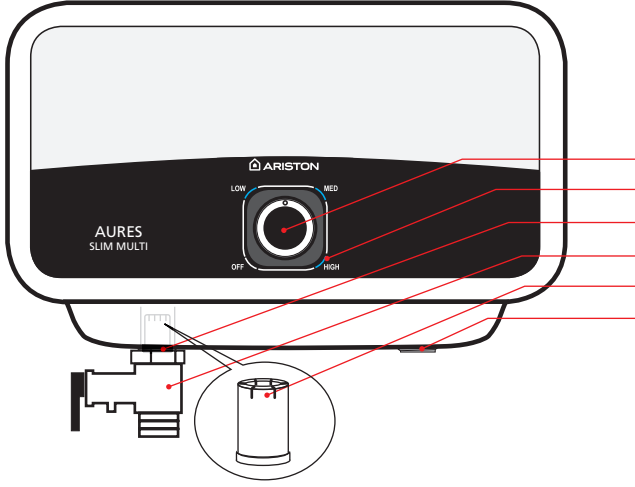
يتحمل المستخدم المسؤولية عن التخلص من المنتج بنهاية عمره الافتراضي في مركز مناسب للتخلص من النفايات.

إنّ مركز التخلص من النفايات (الذي يستخدم عمليات معالجة وإعادة تدوير خاصة تعمل على تفكيك الجهاز والتخلص منه بطريقة فعالة) يساعد على حماية البيئة من خلال إعادة تدوير المواد التي تدخل في صناعة المنتج.

لمزيد من المعلومات حول أنظمة التخلص من النفايات، تفضل بزيارة المركز المحلي للتخلص من النفايات في منطقتك أو بائع التجزئة الذي تم شراء المنتج منه.

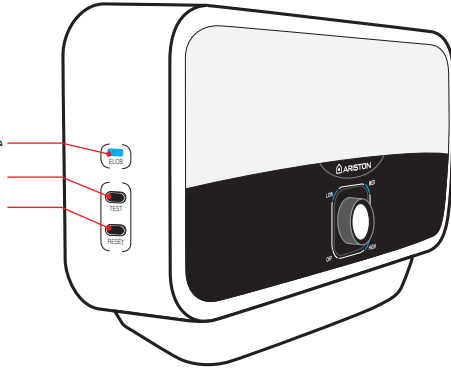
## أحجام المنتج



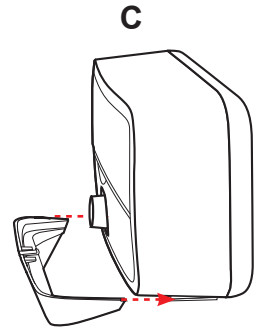
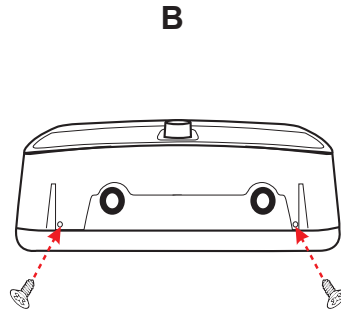
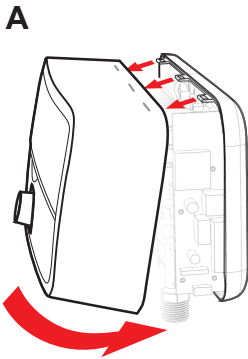


- مقيض الطاقة
- مؤشر الطاقة
- مدخل المياه
- صمام تخفيف الضغط
- فلتر
- مخرج المياه

- مؤشر ELCB (الأداة التي تعمل بالتيار المتبقي)
- مقيض Test (الاختبار)
- مقيض Reset (إعادة الضبط)

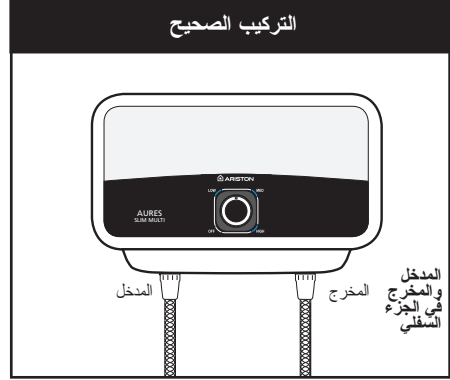


### خطوات إغلاق الغطاء



## تحذير!

قبل بدء أي من أعمال التركيبات الكهربائية، تأكد من أن قاطع الدائرة على الوضع "OFF" (إيقاف التشغيل) لتجنب خطر الصعق بالكهرباء



## الجدول الأول: الكابيل المُوصى باستخدامه

اسم الطراز	قوة التيار (بالأمبير)	220 فولت	230 فولت	240 فولت	عناصر التسخين	المراحل	القيمة الدنيا لشدة مجال السلك (معياري الأسلاك الأمريكي)	كابيل التأريض (معياري الأسلاك الأمريكي)
5 كيلو وات	22.7	5 كيلو وات	5.5 كيلو وات	6 كيلو وات	2+3	أحادي	10	10
5.5 كيلو وات	22.7	5 كيلو وات	5.5 كيلو وات	6 كيلو وات	2.2+3.3	أحادي	10	10
6 كيلو وات	27.2	6.0 كيلو وات	6.5 كيلو وات	7.1 كيلو وات	2.5+3.5	أحادي	10	10
7 كيلو وات	31.8	7.0 كيلو وات	7.6 كيلو وات	8.3 كيلو وات	3+4	أحادي	6	6
7.7 كيلو وات	35.0	7.7 كيلو وات	8.4 كيلو وات	9.1 كيلو وات	3.3+4.4	أحادي	6	6
8 كيلو وات	36.3	8.0 كيلو وات	8.7 كيلو وات	9.5 كيلو وات	3.8+4.2	أحادي	6	6
9.5 كيلو وات، 240 فولت	38.6	8.0 كيلو وات	8.7 كيلو وات	9.5 كيلو وات	4.5+5	أحادي	6	6
9.5 كيلو وات، 230 فولت	41.3	9.0 كيلو وات	9.5 كيلو وات	10.7 كيلو وات	4+5	أحادي	6	6
9.5 كيلو وات	43	9.5 كيلو وات	10.3 كيلو وات	11.3 كيلو وات	4.5+5	أحادي	6	6
10.5 كيلو وات	47.7	10.5 كيلو وات	11.4 كيلو وات	12.5 كيلو وات	5.25+5.25	أحادي	6	6
12 كيلو وات، 220 فولت	54.5	12.0 كيلو وات	13.0 كيلو وات	14.2 كيلو وات	4+4+4	أحادي	4	8
12 كيلو وات	30	12.0 كيلو وات	13.0 كيلو وات	14.2 كيلو وات	4+4+4	ثلاثي المراحل	4	8

• ضغط المياه التشغيلي بمقدار 0.5-8 بار (7-116 رطلا لكل بوصة) • مفتاح التدفق لتشغيل ضغط المياه  
• وصلة مدخل الضغط المعياري بقطر طوله 1/2 بوصة • مدخل للكابل أعلى اليسار واليمين • مدخل للمياه أسفل اليسار

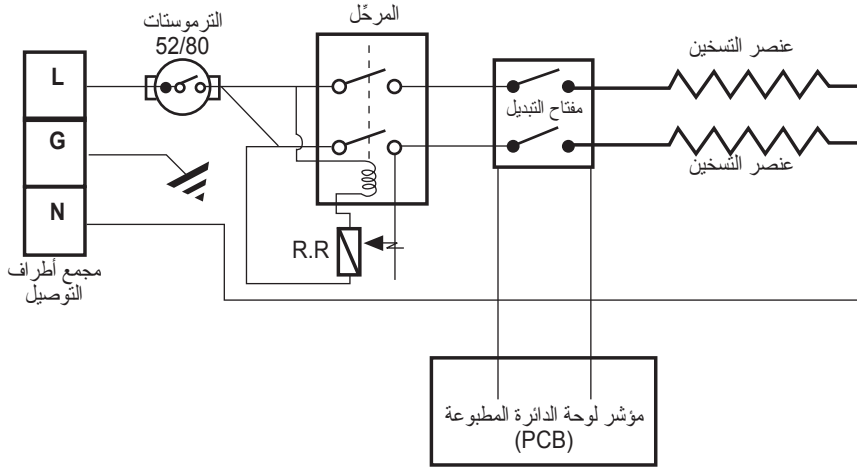
أبعاد الوحدة: ارتفاع 178 مم عرض 304 مم عمق 98 مم

## متطلبات التركيب

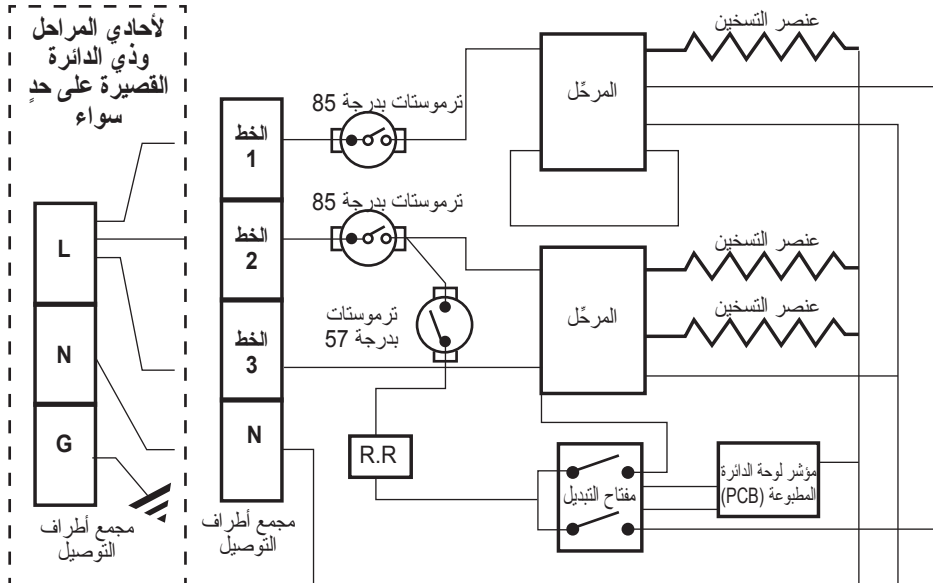
- مطلوب توفر خط كهربائي منفصل.
- يجب توصيل الجهاز بقاطع دائرة منفصل.
- يجب استخدام الكابل الكهربائي الموصى باستخدامه لتغذية الجهاز، انظر الجدول الأول (الصفحة التالية).

## التركيب

الجهاز بجهد 240 - 220 فولت حتى 7.0 كيلو وات للخروج



الجهاز بجهد 240 - 220 فولت حتى 12 كيلو وات للخروج وثلاثي المراحل بجهد 415 - 400 فولت





## 11. تحذير: يجب تأريض الوحدة بشكل صحيح

12. يجب أن يكون لهذا السخان دائرة مستقلة خاصة به تستخدم قاطع دائرة ذي تصنيف صحيح وسلماً مناسباً، انظر الكابل المُوصى باستخدامه الموضح في الجدول.

## تعليمات التشغيل

1. إن سخان المياه الفوري الجديد لديك يتميز بمعدل تدفق تنشيط فعال. أدر المقبض إلى أحد أوضاع الطاقة الثلاثة: Low (منخفض)، Med (متوسط)، High (عال)، ومن ثم سيكون الجهاز على وضع ON (التشغيل)، وافتح صنبور المياه الساخنة، وبذلك سيتم تشغيل عنصر التسخين لتدفئة المياه فقط عند تدفقه من خلال الجهاز. ستحتاج إلى السماح بتدفق المياه من خلال الوحدة بمقدار 2.1 لتر في الدقيقة بحدٍ أدنى من أجل تنشيط نظام التسخين الفوري. اترك المياه تتدفق من خلال السخان لبضع دقائق.
2. بين الحين والآخر، احرص على تنظيف رأس الدش من الرواسب العالقة به لضمان تدفق المياه بسلاسة.
3. بين الحين والآخر، احرص على تنظيف مرشح المياه الواردة.
4. احرص على تركيب سخان المياه الفوري في مكان دافئ. حيث إنّه لا يمكن تركيبه في الأماكن التي قد تتعرض لانخفاض شديد في درجة الحرارة، بما يشكل خطرًا محتملاً لتكوّن الثلج.
5. يمكن للمستخدم ضبط درجة حرارة المياه الساخنة بتعديل وضع الطاقة الموجود على الوحدة، حيث يستطيع المستخدم الاختيار من بين أربعة أوضاع للطاقة:
  - Power (إيقاف التشغيل) - عنصر التسخين قيد إيقاف التشغيل.
  - Low (منخفض) يتم تشغيل عنصر التسخين الأول فقط.
  - Low (متوسط) يتم تشغيل عنصر التسخين الثاني فقط.
  - High (عال) يتم تشغيل عنصرَي التسخين الأول والثاني معًا.

## وظائف الأداة التي تعمل بالتيار المتبقي (ELCB):

سقوم الأداة المدمجة التي تعمل بالتيار المتبقي (ELCB) بقطع إمداد الطاقة تلقائيًا في وجود تسرب في التيار بمقدار أقل من 15 ملي أمبير. يبقى مصباح مؤشر الأداة التي تعمل بالتيار المتبقي (ELCB) مضيئًا ما دامت وظيفتها تتم بشكل سليم، بينما يومض في حالة اكتشاف تسرب في التيار. أما في حالة انقطاع التيار بواسطة الترموستات، سيطفئ مصباح مؤشر الأداة، وسيضيئ مجددًا بمجرد بدء تنشيط الترموستات مرة أخرى.

## اختبار التسرب الكهربائي:

للتأكد من سلامة عمل وظيفة الأداة التي تعمل بالتيار المتبقي (ELCB)، يُوصى باتّباع هذا الإجراء كوسيلة للاختبار مرة واحدة شهريًا على الأقل.

بعد تشغيل الكهرباء ومصدر إمداد المياه،

1. اضغط على زر "TEST" (اختبار)، وبذلك يجب أن تعمل الوحدة وتقطع إمداد الطاقة، وتطفئ جميع مصابيح المؤشرات.
2. اضغط على زر "RESET" (إعادة الضبط) (C)، وبذلك يجب أن تستأنف الوحدة وظيفتها الطبيعية، ويجب أن يضيء مصباح LED الأزرق الخاص بالأداة.

إذا حدث ما هو مذكور أعلاه، فاعلم أن الأداة التي تعمل بالتيار المتبقي (ELCB) تعمل بشكل طبيعي.

عند الضغط على زر RESET (إعادة الضبط) بعد الضغط على زر TEST (اختبار)، ولم يضيء مصباح الأداة التي تعمل بالتيار المتبقي (ELCB)، فعندئذٍ أوقف تشغيل

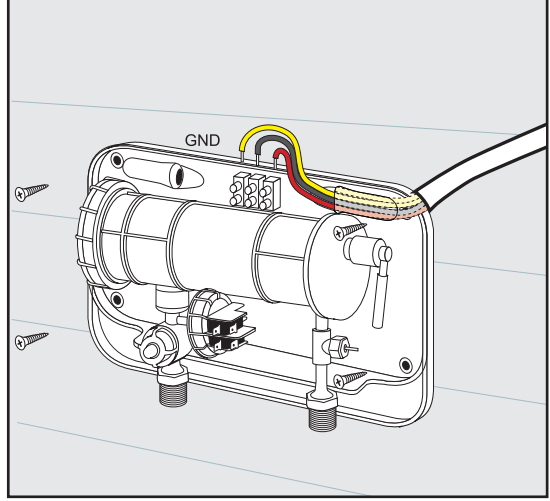
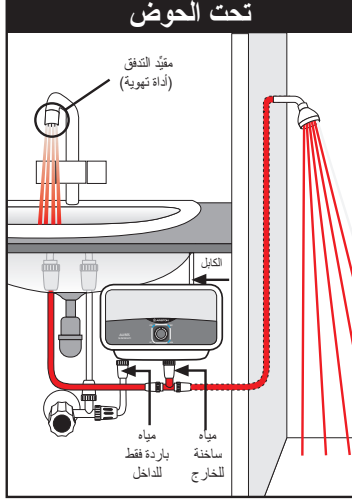
مصدر إمداد الطاقة الرئيسي واتصل بقسم الصيانة في Ariston لطلب الإصلاح. وتجب تمامًا محاولة إصلاح الوحدة بنفسك.



## تعليمات التركيب

يجب تركيب الجهاز وتشغيله بمعرفة فني مؤهل وفقاً للأنظمة المعمول بها ولوائح الصحة والسلامة المحلية.

1. قم بفك البراغي الأربعة المربوطة أعلى الجهاز وأسفله وأزل الغطاء من القاعدة.
2. تُبْنَت القاعدة أفقيًا على الجدار أو جانب الخزانة، ويجب توصيل سلك التأسيس بالوحدة، وأنبوبا دخول المياه وخروجها على الجانب السفلي من الوحدة. استخدم براغي التثبيت الأربعة المرفقة.



3. استخدم مرشح المياه المرفق على وصلة دخول الماء الأنبوبية (انظر الى الرسم صفحة 54).

4. قم بتوصيل وصلة المياه الواردة (الباردة فقط) بأنبوب دخول المياه في الجانب السفلي الأيسر، ووصلة المياه الصادرة بأنبوب خروج المياه في الجانب السفلي الأيمن. وافتح الصنبور الرئيسي لإمداد المياه وتحقق من عدم وجود تسرب للمياه من الوحدة.
5. قبل إجراء أي عمليات، افصل الجهاز من مصادر التيار الكهربائي باستخدام المفتاح الخارجي، ثم قم بتوصيل الطاقة بالكابل الواصل إلى الجهاز. ويجب تأريض الجهاز وتثبيت الكابل الأرضي (الموسوم بحرف في الرسم) على الطرف الموسوم بالرمز (⊕).
6. قم بتشغيل الوحدة وتحقق من أنها تعمل كما ينبغي.
7. أعد توصيل الغطاء بالقاعدة باستخدام البراغي الأربعة.
8. يجب تزويد الدائرة الكهربائية بقاطع للدائرة الكهربائية المعيبة/قاطع للدائرة الكهربائية المسببة للتسرب الأرضي.
9. احرص على تركيب صمام تنفيس الضغط (المرفق مع المنتج) بالطريقة الصحيحة قبل أنبوب المدخل (صفحة 54).
10. يجب تركيب مقبض تحكم في التدفق (أداة تهوية) في الحوض أو الدش.

## الخصائص الفنية

للاطلاع على المواصفات الفنية، راجع لوحة الاسم (موجودة على الجانب الأيمن من سخان المياه).

معلومات المنتج										
12	12.0	10.5	9.5	9.0	8.0	7.7	7.0	6.0	5.0	الطاقة (كيلو وات)
400-415	220-240 فولت									الفولطية
ثلاثي المراحل	أحادي									المراحل
تركيب مخفي										
مخرج التصريف مغلق										
راجع لوحة الاسم										
50/60 هرتز										
30	54.5	47.7	43,2	40,9	36,4	35.0	31.8	27.2	22.7	قوة التيار (بالأمبير)
IP24										
أنبوب معياري بريطاني (BSP) طوله 1/2 بوصة										
2.1 لتر/دقيقة										
2.191							2.224	2.119	2.119	الحد الأدنى لتدفق المياه
8 BAR										
XS							XS	XXS	XXS	الحد الأقصى لضغط المياه
...ديسيل										
39%							38%	40%	40%	توزيع الحمل الكهربائي
400 سم مكعب										
2400 جم										
304 مم x 178 مم x 98 مم										
Lwa (بالديسيل)										
wh										
الحجم المقدر (لتر)										
الوزن										
الأبعاد										

تم وضع بيانات استهلاك الطاقة الموضحة بالجدول والمعلومات الأخرى الواردة بورقة بيانات المنتج (الملحق "أ" المرفق بهذا الدليل) وفقاً لتوجيهات الاتحاد الأوروبي رقم 812/2013 و 814/2013.

المنتجات التي لا تتضمن الملصق وورقة البيانات الخاصة بسخانات المياه وأجهزة الطاقة الشمسية، والمنصوص عليها في اللائحة 812/2013، غير معدة للتجميع على النحو المذكور في هذا الدليل.

يتم ضبط المنتجات المزودة بمنظم على شكل مقبض بحيث يكون إعداد الترموستات على "جاهز للاستخدام" على النحو المشار إليه في ورقة البيانات (الملحق "أ")، والتي من خلالها ذكرت الشركة المصنعة فئة الطاقة المناسبة.

يجب عدم توصيل المنتج إلا بمصدر طاقة يتميز بالمعاوية المناسبة للنظام والتي لا تتجاوز قيمتها 0.237 أوم.

قد تفرض الجهة المنوط بها التزويد بالطاقة قيوداً تتعلق بالتوصيل، على استخدام الجهاز في إطار المعاوية المناسبة للنظام التي تتجاوز قيمتها 0.237 أوم عند نقطة الاتصال في المقر الخاص بالمستخدم.

يتوافق هذا الجهاز مع معياري السلامة الكهربائية الدولية IEC 60335-1 و IEC 60335-2-35 و IEC 60335-2-35. في حال ظهور علامة CE على الأجهزة، فإن ذلك يؤكد توافق الأجهزة مع توجيهات المفوضية الأوروبية التالية، التي تفي بالمتطلبات الأساسية اللازمة:

- توجيه الفولطية المنخفضة (LVD): EN 60335-1، و EN 60335-2-35، و EN 60529، و EN 62233، و EN 50106.
- التوافق الكهرومغناطيسي (EMC): EN 55014-1 و EN 55014-2 و EN 61000-3-2 و EN 61000-3-3 و EN 61000-3-12 و EN 61000-3-11.
- المنتجات المرتبطة بالطاقة (ErP): EN 50193-1-2013، و Eu814، و EN812.

الرمز	المعنى
⚠	يمكن أن يؤدي عدم مراعاة هذا التحذير إلى حدوث إصابة قد تكون مميتة في ظروف معينة
⚠	يمكن أن يؤدي عدم مراعاة هذا التحذير إلى حدوث إصابات أو أضرار تلحق بالملكات أو النباتات أو الحيوانات
ⓘ	أحرص على الالتزام بتعليمات السلامة العامة والخاصة للمنتج

## معايير السلامة العامة

الرمز	الخطر	المرجع التحذير
⚠	خطر الصعق بالكهرباء بسبب وجود جهاز كهربائي قيد التشغيل. الإصابة الجسدية - الحروق الناجمة عن فرط سخونة الأجزاء، والجروح الناجمة عن الحواف الحادة	1. تجنّب فتح الجهاز أو فك أجزائه المركبة
⚠	خطر الصعق بالكهرباء بسبب تلف سلك الطاقة أو القابس أو المقبس الخاص به	2. تجنّب تشغيل الجهاز أو إيقاف تشغيله عن طريق إدخال/إخراج قابس الطاقة
⚠	خطر الصعق بالكهرباء بسبب وجود أسلاك مكشوفة مكهربة	3. تجنّب إتلاف سلك الطاقة
⚠	إصابة جسدية بسبب سقوط الأجسام من على الجهاز نتيجة للاهتزاز	4. تجنّب ترك أجسام على الجهاز
⚠	تلف الجهاز أو الممتلكات الأخرى بسبب سقوط الأجسام من على الجهاز نتيجة للاهتزاز	
⚠	إصابة جسدية بسبب السقوط من فوق الجهاز	5. تجنّب الصعود فوق الجهاز
⚠	تلف الجهاز أو الممتلكات الأخرى بسبب انفصال الجهاز عن وضعية تركيبية	
⚠	خطر الصعق بالكهرباء بسبب وجود جهاز كهربائي قيد التشغيل	6. تجنّب تنظيف الجهاز من دون إيقاف تشغيله أولاً ونزع قابس الطاقة الخاص به أو إغلاق مفتاح الطاقة الخاص به
⚠	خطر سقوط الجهاز من على الجدار بسبب الانهيار في بنية الجدار، أو التشغيل الصحيح	7. أحرص على تركيب الجهاز على جدار صلب غير معرض للاهتزاز
⚠	خطر نشوب حريق بسبب فرط سخونة الأسلاك ذات الأحجام الأصغر مما ينبغي	8. أحرص على تركيب الوصلات الكهربائية باستخدام كبلات ذات مقطع عرضي كافٍ
⚠	تلف الجهاز أو انسداده بسبب الضبط غير السليم	9. أحرص على استعادة جميع وظائف الأمان والضبط بعد العمل في الجهاز، والتحقق من سلامة عملها قبل إعادته للاستخدام
⚠	خطر الإصابة بحروق	10. أحرص على تصريف المياه من جميع الأجزاء المحتوية على المياه الساخنة، باستخدام محابس التفريغ، قبل التعامل معها
⚠	إصابة جسدية بسبب ملامسة الجلد والعينين بإضافة مواد كيميائية ضارة أو استنشاقها أو ابتلاعها	11. تخلص من الرواسب العالقة بالجهاز على النحو الوارد في "ورقة السلامة" الخاصة بالمنتجات؛ وعند القيام بذلك، قم بتهوية الغرفة وارتداء ملابس السلامة، وأحرص على عدم الخلط بين المنتجات وحماية الجهاز نفسه، وكذلك أي أجسام مجاورة
⚠	تلف الجهاز والأجسام المجاورة بسبب الصدا الناتج عن المواد الحمضية	
⚠	تلف الأجزاء والقطع البلاستيكية والمطوية	12. تجنّب استخدام المبيدات الحشرية أو المنظفات القوية لتنظيف الجهاز




## تعليمات السلامة العامة

### تنبيه!
















1. هذا الدليل جزء لا يتجزأ من المنتج. لذلك، احتفظ به بعناية مع الجهاز، وفي حالة انتقال ملكيته، قم بتسليمه إلى المستخدم/المالك الجديد.
2. اقرأ التعليمات والتحذيرات الواردة في هذا الدليل بعناية، فهي تتضمن معلومات مهمة بشأن التركيب والاستخدام والصيانة بطريقة آمنة.
3. يجب أن يتم تركيب الجهاز وتشغيله بمعرفة فني مؤهل، وذلك وفقاً للتشريع المحلي ولوائح الصحة والسلامة. ويجب عليك إيقاف تشغيل جميع الدوائر الكهربائية قبل فتح مجمع أطراف التوصيل.
4. تجنّب استخدام الجهاز لأي غرض يخالف الاستخدام المحدد له. حيث إنّ الشركة المصنّعة تخلي مسؤوليتها عن الأضرار الناجمة عن الاستخدام غير الملائم أو الخاطئ أو عدم الالتزام بالتعليمات الواردة في هذا الدليل.
5. اعلم أنّ التركيب غير الصحيح يمكن أن يسبب تلفاً في الممتلكات وإصابات تلحق بالأفراد والحيوانات؛ ولا تتحمل الشركة المصنّعة المسؤولية تجاه هذه العواقب.
6. تجنّب ترك مواد التغليف والتعبئة (المشابك والأكياس البلاستيكية والبوليسترين الممدد، وغيرها) في متناول الأطفال - فقد تسبب إصابات خطيرة.
7. هذا الجهاز غير مُعد لاستخدام الأطفال دون 8 سنوات أو الأفراد ذوي الإعاقة الجسدية أو الحسية أو العقلية أو من تنقصهم الخبرة والمعرفة اللازمة، ما لم يتم ذلك تحت الإشراف أو باتباع التعليمات، وذلك في ظل الاستخدام الآمن للجهاز وتوخي الحذر من المخاطر المصاحبة لهذا الاستخدام. لا تترك الأطفال يعبثون بهذا الجهاز. ولا يُسمح بإجراء التنظيف والصيانة بواسطة أطفال غير خاضعين للإشراف.
8. يجب أن تتم جميع الإصلاحات وأعمال الصيانة والسباكة وتركيب الوصلات الكهربائية بمعرفة الفنيين المؤهلين وباستخدام قطع الغيار الأصلية فقط. وقد يؤدي عدم الالتزام بالتعليمات المذكورة أعلاه إلى تهديد سلامة الجهاز وإعفاء الشركة المصنّعة من أي مسؤولية تجاه العواقب.
9. يتم تنظيم درجة حرارة المياه الساخنة باستخدام ترموستات، وهو يعمل أيضاً بمثابة جهاز أمان لمنع الأخطار الناتجة عن فرط السخونة.
10. يجب تركيب الوصلات الكهربائية بالطريقة المحددة في هذا الدليل.
11. إذا كان الجهاز مزوداً بسلك طاقة، فيجب عدم استبداله إلا بمعرفة مركز خدمة معتمد أو فني متخصص.
12. احرص على تصريف المياه من الجهاز عندما لا يكون قيد الاستخدام، أو في حالة وجوده في منطقة مُعرضة لدرجات حرارة تحت الصفر.
13. لا تترك أي مواد قابلة للاشتعال ملامسة للجهاز أو بالقرب منه.

## **ЗАГАЛЬНІ ІНСТРУКЦІЇ З ТЕХНІКИ БЕЗПЕКИ ОБЕРЕЖНО!**

1. Ця брошура є невід'ємною частиною виробу. Збережіть її для довідки й передайте будь-якому наступному власнику.
2. Уважно прочитайте інструкції й попередження в цій брошурі, бо вони містять важливу інформацію щодо безпечного встановлення, експлуатації й обслуговування.
3. Прилад має встановлювати й вводити в експлуатацію кваліфікований фахівець відповідно до діючих норм і правил охорони здоров'я й техніки безпеки. Перш ніж розкривати клемну колодку необхідно вимкнути всі силові кола.
4. НЕ користуйтеся приладом в цілях, що відрізняються від вказаних. Виробник не несе відповідальності за ушкодження, пов'язані з неправильним або неприйнятним використанням або недотриманням інструкцій, приведених в цій брошурі.
5. Неправильне встановлення може привести до ушкодження майна і травм людей і тварин. Виробник не несе відповідальності за такі наслідки.
6. НЕ залишайте пакувальні матеріали (скоби, пластикові пакети, пінопласт, тощо) в межах досяжності дітей, бо це може спричинити важкі травми.
7. Діти молодше 8 років, а також особи з обмеженими фізичними, сенсорними або розумовими здібностями або недостатнім досвідом і знаннями можуть користуватися цим приладом тільки під наглядом інших осіб або після інструктажу щодо правильної й безпечної роботи з ним і можливих ризиків. НЕ дозволяйте дітям гратись із приладом. Діти без нагляду не можуть очищувати й проводити технічне обслуговування приладу.
8. Ремонт, технічне обслуговування, підключення до водопроводу й електричної мережі має виконувати тільки кваліфікований фахівець із застосуванням оригінальних запасних частин. Нехтування вказаними вище інструкціями може стати причиною порушення системи безпеки приладу, при цьому виробник відмовляється від будь-якої відповідальності.
9. Температура гарячої води регулюється термостатом, який одночасно є пристроєм безпеки, що запобігає небезпечному перегріванню.
10. Приєднання до електричної мережі необхідно виконувати за інструкціями в цій брошурі.
11. Якщо прилад обладнаний шнуром живлення, заміну такого шнура може виконувати тільки уповноважений сервісний центр або професійний технік.
12. Якщо ви не користуєтеся приладом, зливайте з нього воду, це особливо важливо в областях, де температура навколишнього повітря може падати нижче нуля.
13. Не залишайте будь-які займісті матеріали в контактi з приладом або поруч із ним.

Позначка	Значення
	Нехтування цим попередженням може призвести до травми, за певних обставин навіть з летальним результатом
	Нехтування цим попередженням може призвести до ушкодження майна або травм людей і тварин
	Дотримуйтесь загальних і особливих інструкцій щодо техніки безпеки при поводженні з приладом.

## ЗАГАЛЬНІ ПРАВИЛА ТЕХНІКИ БЕЗПЕКИ

№	Попередження	Ризик	Позначка
1.	Не розкривати прилад і не виймати його з корпусу	Ураження електричним струмом від компонентів під напругою. Травмування – опіки від гарячих поверхонь і порізи о гострі краї.	
2.	Не запускати й не вимикати прилад вставленням/витягуванням вилки в розетку/з розетки	Ураження електричним струмом в результаті пошкодження шнура живлення, вилки або розетки.	
3.	Не доводити до пошкодження шнура живлення	Ураження електричним струмом в результаті дотику до оголених дротів під напругою.	
4.	Не залишати предмети на приладі	Травмування в результаті падіння предметів з приладу від вібрації.	
		Ушкодження приладу або іншого майна в результаті падіння предметів з приладу від вібрації.	
5.	Не влізати на прилад	Травмування в результаті падіння з приладу.	
		Ушкодження приладу або іншого майна в результаті від'єднання приладу від його кріплень.	
6.	Не чистити прилад без попереднього вимкнення за допомогою витягування вилки з розетки або перемикачання вимикача	Ураження електричним струмом від компонентів під напругою.	
7.	Встановити прилад на міцній стіні без вібрації	Небезпека падіння приладу із стіни в результаті конструкційного руйнування або шум під час роботи.	
8.	Виконувати приєднання до електричної мережі за допомогою кабелів достатнього перетину	Небезпека пожежі від перегрівання дротів недостатнього розміру.	
9.	Відновити усі функції безпеки й керування після проведення робіт з приладом і переконатися в справності його роботи після повернення в експлуатацію	Ушкодження або блокування приладу зважаючи на неправильні налаштування керування.	
10.	Перед технічним обслуговуванням злити гарячу воду з приладу за допомогою спускових кранів	Небезпека опіків.	
11.	Очистити систему від накипу як вказано в «паспорті безпеки» виробу; при цьому провітрити приміщення, користуватися захисним одягом, не змішувати різні продукти і захистити сам прилад і розташовані поблизу об'єкти	Травма від попадання на шкіру і в очі, вдихання або проковтування токсичних хімічних речовин.	
		Пошкодження приладу або об'єктів навколо нього внаслідок корозії, викликані кислотними речовинами.	
12.	Не користуватися інсектицидами, розчинниками або агресивними миючими засобами для очищення приладу	Пошкодження пластикових і фарбованих частин і вузлів.	

## ТЕХНІЧНІ ХАРАКТЕРИСТИКИ

Технічні характеристики див. на паспортній табличці (яка розташована справа на водонагрівачі).

Інформація про виріб											
Потужність (кВт)	5,0	6,0	7,0	7,7	8,0	9,0	9,5	10,5	12,0	12	
Напруга	220-240 В									400-415	
Кількість фаз	одна									3 фази	
Монтаж	Прихований монтаж										
Виконання	Закритий вихід										
Модель	Див. паспортну табличку										
Частота	50/60 Гц										
Сила струму	22.7	27.2	31.8	35.0	36,4	40,9	43,2	47.7	54.5	30	
Захист вод	IP24										
Трубне з'єднання	1/2" BSP										
Мінімальний потік води	2,1 л/хв.										
Q електр. (кВт·год)	2.119	2.119	2.224							2.191	
Мінімальний тиск води	8 BAR										
Профіль навантаження	XXS	XXS	XS							XS	
Lwa (дБ)	15db										
wh	40%	40%	38%							30%	
Номінальний об'єм (л)	400 см3										
Маса	2400 г										
Габарити	304 мм x 178 мм x 98 мм										

Дані про споживання електричної енергії на табличці й інша інформація, наведена в паспорті виробу (додаток А до цієї брошури), визначені відповідно до Директив ЄС 812/2013 й 814/2013.

Вироби, які не мають відповідних позначок на табличках і в паспортах, як передбачено Директивою 812/2013, не призначені для використання в пакетних установках водонагрівачів з сонячними батареями.

Вироби з ручкою регулювання оснащуються термостатом, який встановлений в положення «готовий до використання» як вказано в паспорті (Додаток А), згідно з яким виробник визначає відповідний клас енергоефективності.

**Виріб слід приєднувати до джерела живлення з відповідним опором системи не більше 0,237 Ом.**

**Енергопостачальна компанія може встановлювати обмеження, якщо фактичний опір системи в точці приєднання споживача перевищує 0,237 Ом.**

**Цей прилад відповідає міжнародним стандартам електричної безпеки IEC 60335-1 й IEC 60335-2-35. За наявності маркування CE прилад відповідає основним вимогам наступних Директив ЄС:**

- Директива з низьковольтного обладнання (LVD): EN 60335-1, EN 60335-2-35, EN 60529, EN 62233, EN 50106.

- Директива з електромагнітної сумісності (EMC): EN 55014-1, EN 55014-2, EN 61000-3-2, EN 61000-3-3, EN 61000-3-11 і EN 61000-3-12.

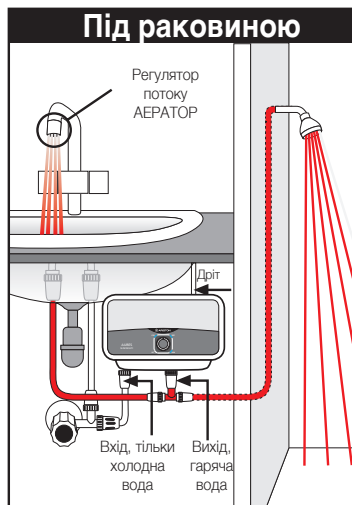
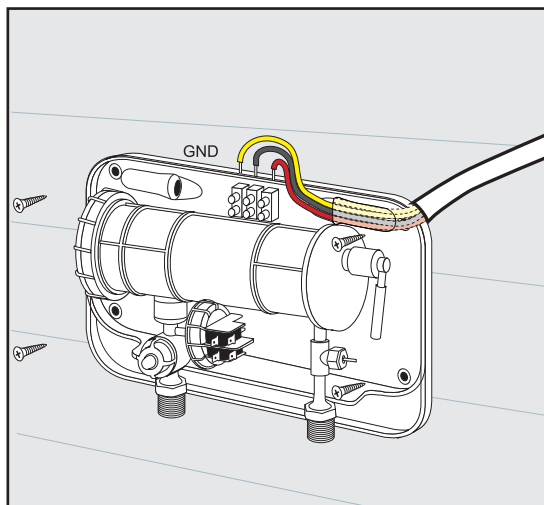
- Вироби, що споживають енергію: Eu812, Eu814, EN50193 - 1-2013.



## ІНСТРУКЦІЇ З УСТАНОВЛЕННЯ

Прилад має встановлювати й вводити в експлуатацію кваліфікований фахівець відповідно до діючих норм і правил охорони здоров'я й техніки безпеки.

1. Відкрутіть чотири гвинти, розташовані згори і знизу пристрою, й зніміть кришку з основи.
2. Установіть основу горизонтально відносно стіни або боку шафи, **приєднайте до пристрою дрід заземлення**, вхідну й вихідну труби водопроводу в нижній частині пристрою. Використовуйте 4 монтажні гвинти з комплекту постачання.



3. **Встановіть водяний фільтр з комплекту постачання на водопровідній трубі (див. окрему схему сторінці 69).**
4. Приєднайте вхідну водопровідну трубу (тільки холодну воду) до входу приладу знизу ліворуч, а вихідну трубу – до виходу знизу праворуч. Відкрийте водопровідні крани й переконайтеся у відсутності витоків з приладу.
5. Перед проведенням будь-яких робіт необхідно від'єднати прилад від електричної мережі за допомогою зовнішнього вимикача, а потім приєднати дрід живлення до приладу. Прилад необхідно заземлити. Дрід заземлення (позначений буквою на схемі) приєднується до клеми, яка позначена символом  $\oplus$ .
6. Ввімкніть прилад і перевірте справність його роботи.
7. Поверніть на місце кришку й закріпіть її 4 гвинтами.
8. Обов'язково встановіть захисний вимикач замикання на землю в електричному колі.
9. **Перевірте, чи правильно встановлений клапан скидання тиску (входить до комплекту постачання) перед входом (сторінка 69).**
10. **Необхідно встановити регулятор потоку (АЕРАТОР) на вихід у раковину або душ.**

## 11. УВАГА! ПРИЛАД МАЄ БУТИ ПРАВИЛЬНО ЗАЗЕМЛЕНИЙ

12. ЦЕЙ НАГРІВАЧ НЕОБХІДНО ОСНАСТИТИ НЕЗАЛЕЖНИМ КОНТУРОМ З АВТОМАТИЧНИМ ВИМИКАЧЕМ, ЩО МАЄ ДОСТАТНІ НІНАЛЬНІ ХАРАКТЕРИСТИКИ Й ДРІТ ВІДПОВІДНОГО РОЗМІРУ, ДИВ. ТАБЛИЦЮ РЕКОМЕНДОВАНИХ ДРОТІВ.

## ІНСТРУКЦІЇ З ЕКСПЛУАТАЦІЇ

1. Ваш новий проточний водонагрівач вмикається за наявності необхідного тиску води. Встановіть ручку в одне з 3 положень (Low, Med, High). Прилад ввімкнеться й відкриє кран гарячої води, нагрівальний елемент працюватиме і грітиме воду тільки за наявності потоку води через прилад. Швидкість потоку повинна бути не менше 2,1 літра на хвилину, щоб спрацювала проточна система нагрівання. Дайте воді стекти впродовж декількох хвилин.
2. Регулярно очищайте лійку від відкладень, щоб гарантувати рівномірний потік води.
3. Регулярно очищайте водяний фільтр на вході.
4. Проточний водонагрівач необхідно монтувати в приміщенні, що опалюється. Прилад не можна монтувати в приміщеннях, де температура повітря може різко знижуватися; це веде до ризику замерзання.
5. Користувач може регулювати температуру гарячої води за допомогою налаштування потужності. Можливі 4 варіанти налаштування:
  - Power - нагрівальний елемент вимкнений
  - Low - ввімкнений тільки перший нагрівальний елемент
  - Med - ввімкнений тільки другий нагрівальний елемент
  - High - ввімкнені обидва нагрівальні елементи одночасно

## Робота пристрою захисного вимкнення

Вбудований пристрій захисного вимкнення (ПЗВ) автоматично вимикає живлення в разі витoku вже на рівні 15 мА.

Якщо ПЗВ працює правильно, на приладі горить його індикатор, який починає блимати при виявленні витoku. Коли спрацює термостат, індикатор ПЗВ гасне. Як тільки термостат поновлює роботу, індикатор загоряється знову.



## Перевірка витoku струму

Для перевірки справності роботи ПЗВ рекомендується виконувати наступні дії щонайменше один раз на місяць.

Після ввімкнення електрики й подання води

1. Натисніть кнопку «TEST», прилад вимикається, всі індикатори гаснуть.
2. Натисніть кнопку «RESET» (C), нормальна робота приладу відновлюється, загоряється синій індикатор ПЗВ.

Якщо описана вище процедура виконується без збоїв, ПЗВ працює нормально.

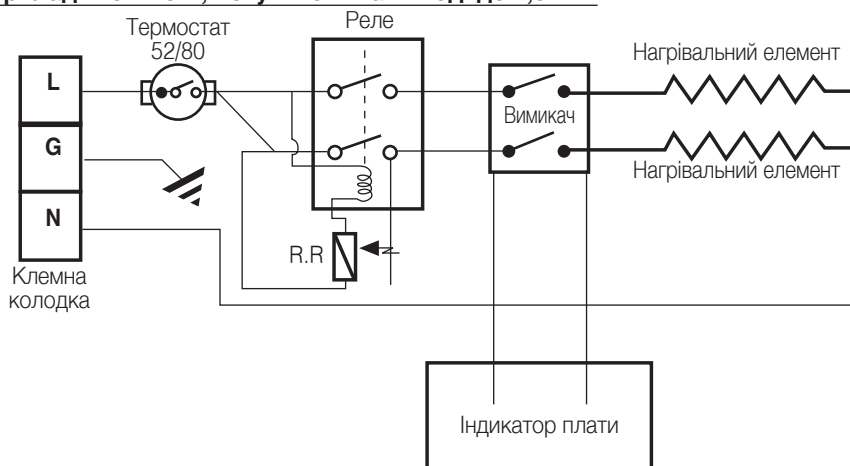
Якщо при натисканні кнопки «RESET» після натискання кнопки «TEST» індикатор ПЗВ не загоряється, вимкніть живлення приладу і зверніться до сервісної служби Ariston. В ЖОДНОМУ ВИПАДКУ не намагайтеся ремонтувати прилад самостійно.

## ВИМОГИ ДО МОНТАЖУ

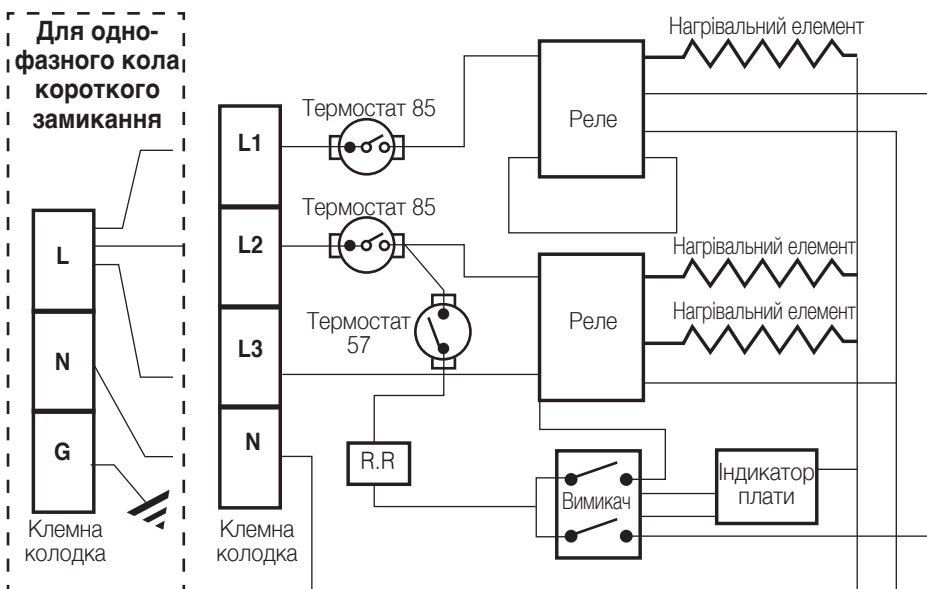
- A. Потрібна окрема електрична лінія.
- B. Прилад слід під'єднувати до окремого автоматичного вимикача.
- C. Рекомендації щодо вибору дроту для приєднання до електромережі див. у таблиці I (на наступній сторінці).

## МОНТАЖ

**Прилад 220–240 В, потужність на виході до 7,0 кВт**



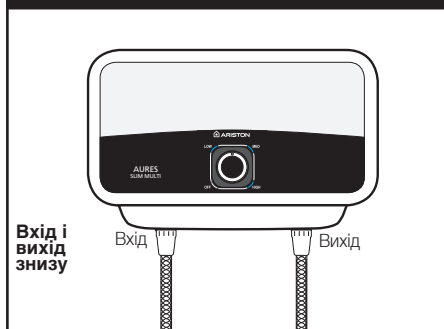
**Прилад 220–240 В, потужність на виході до 12 кВт і 400–415 В, 3 фази**



## УВАГА!

ПЕРЕД ПОЧАТКОМ МОНТАЖУ ЕЛЕКТРИЧНИХ КІЛ ПЕРЕКОНАЙТЕСЯ, ЩО ВИМИКАЧ ЗНАХОДИТЬСЯ В ПОЛОЖЕННІ «OFF», ЩОБ УНИКНУТИ УРАЖЕННЯ ЕЛЕКТРИЧНИМ СТРУМОМ

### Правильне встановлення



### Неправильне встановлення

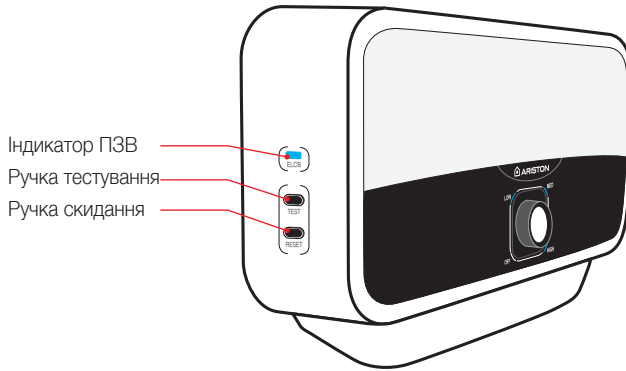
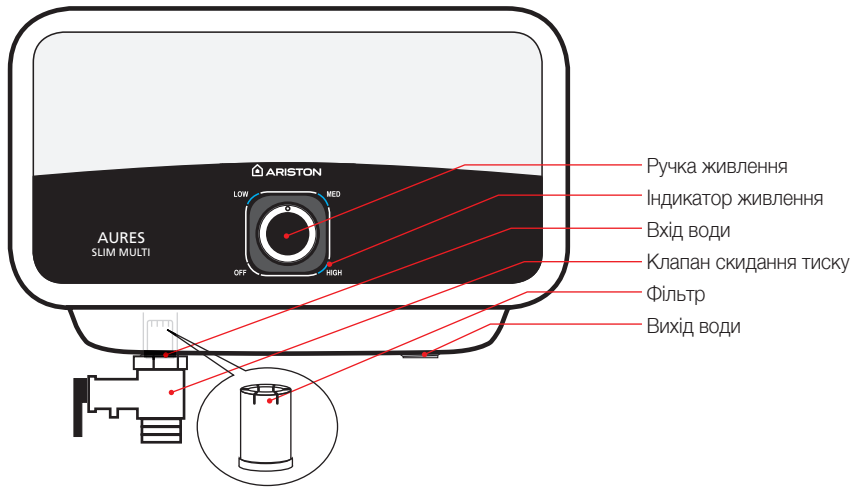


## Таблиця І: Рекомендовані дроти

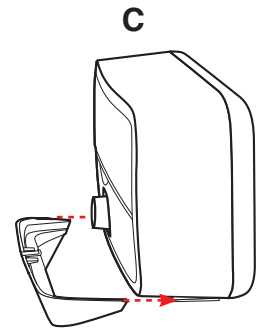
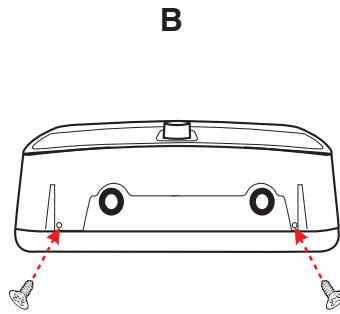
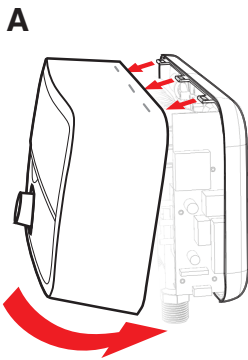
Найменування моделі	Сила струму	220 В	230 В	240 В	Нагрівальні елементи	Кількість фаз	Мін. AWG дроту	AWG заземлення
5 кВт	22,7	5 кВт	5,5 кВт	6 кВт	2+3	одна	10	10
5,5 кВт	22,7	5 кВт	5,5 кВт	6 кВт	2,2+3,3	одна	10	10
6 кВт	27,2	6,0 кВт	6,5 кВт	7,1 кВт	2,5+3,5	одна	10	10
7 кВт	31,8	7,0 кВт	7,6 кВт	8,3 кВт	3+4	одна	6	10
7,7 кВт	35,0	7,7 кВт	8,4 кВт	9,1 кВт	3,3+4,4	одна	6	10
8 кВт	36,3	8,0 кВт	8,7 кВт	9,5 кВт	3,8+4,2	одна	6	10
9,5 кВт 240 В	38,6	8,0 кВт	8,7 кВт	9,5 кВт	4,5+5	одна	6	10
9,5 кВт 230 В	41,3	9,0 кВт	9,5 кВт	10,7 кВт	4+5	одна	6	10
9,5 кВт	43	9,5 кВт	10,3 кВт	11,3 кВт	4,5+5	одна	6	10
10,5 кВт	47,7	10,5 кВт	11,4 кВт	12,5 кВт	5,25+5,25	одна	6	10
12 кВт 220 В	54,5	12,0 кВт	13,0 кВт	14,2 кВт	4+4+4	одна	4	8
12 кВт	30	12,0 кВт	13,0 кВт	14,2 кВт	4+4+4	3 фази	4	8

- Робочий тиск води 0,5-8 бар (7-116 psi) • Вимкнення живлення залежно від тиску води
- Стандартне пресоване з'єднання  $\varnothing 1/2''$  на воді • Вхід дроту згори ліворуч і праворуч • Вхід води знизу ліворуч

**РОЗМІРИ ПРИБАДУ: Висота 178 мм Ширина 304 мм Глибина 98 мм**



## Порядок закривання кришки



**Цей виріб відповідає  
Директиві WEEE 2012/19/EU.**



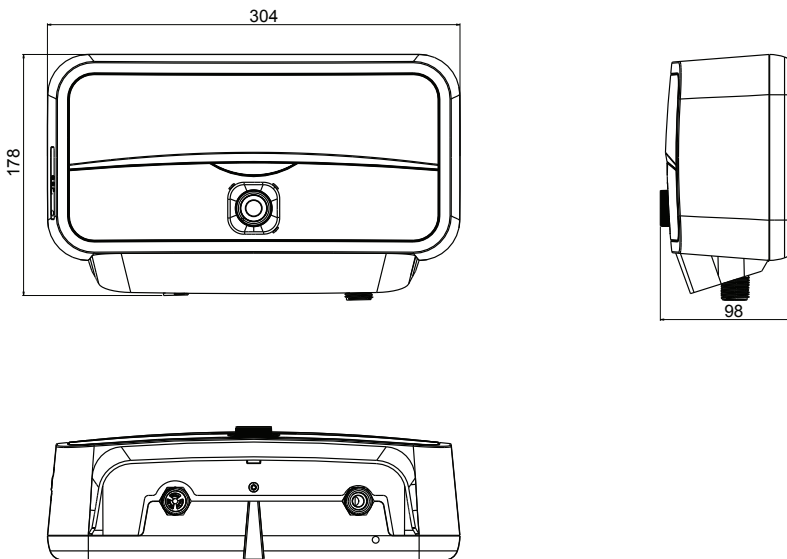
Символ перекресленого сміттового кошику на виробі означає, що після закінчення терміну служби виріб не можна викидати разом із звичайними побутовими відходами. Його необхідно здати до організації, що займається утилізацією електричного й електронного обладнання або повернути продавцю при купівлі нового виробу.

Користувач відповідає за правильну утилізацію виробу після закінчення терміну його служби (здача у відповідний центр з переробки відходів).

Організації, що займаються збиранням і утилізацією вторинної сировини (і використовують прийнятні способи переміщення, розбирання й сортування відходів), забезпечують захист довкілля завдяки правильній переробці матеріалів виробу.

Для отримання додаткової інформації щодо утилізації відходів звертайтеся до організації зі збору вторинної сировини або до продавця виробу.

## Розміри виробу






## Пошук і усунення несправностей

ПРОБЛЕМА	МОЖЛИВА ПРИЧИНА	РІШЕННЯ
Вода недостатньо гаряча	<p>Занадто сильний потік води через нагрівач</p> <p>Зниження навколишньої температури</p> <p>Тиск води нижче 100 кПа</p> <p>Несправність електричної системи</p>	<p>Знизьте тиск води, прикривши кран.</p> <p>Змініть на більш високе налаштування температури.</p> <p>Перевірте, чи повністю відкритий магістральний запірний кран, і чи немає інших перешкод в лінії.</p> <p>Здайте нагрівач на перевірку кваліфікованому електрику або зверніться до місцевого авторизованого дистриб'ютора.</p>
Вода занадто гаряча	<p>Недостатній потік води через нагрівач</p> <p>Підвищення навколишньої температури</p>	<p>Збільште тиск води, для чого відкрийте кран.</p> <p>Змініть на нижче налаштування температури.</p>
Нагрівач вимикається в процесі використання	Відключення електрики в мережі	Перевірте електроживлення, автоматичний вимикач, перемикачі й дрот живлення. Перевірте витік на землю й скиньте аварійний захист.
Вода припиняє текти	<p>Лійка забита або перекошена, забитий гнучкий шланг душа</p> <p>Немає постачання води</p>	<p>Почистіть або замініть лійку, перевірте чи вільно вода проходить по шлангу. Замініть при необхідності.</p> <p>Перевірте, чи є вода в системі, чи відкритий запірний кран, і чи не забиті елементи системи.</p>
Температура води змінюється з гарячої на холодну під час використання	Тиск води впав нижче мінімального рівня	Збільште подачу гарячої води.
Немає гарячої води, незважаючи на повністю відкритий кран	<p>Немає електрики</p> <p>Не досягнутий необхідний для ввімкнення нагрівального елемента тиск води</p>	<p>Перевірте положення автоматичного вимикача й напругу в мережі.</p> <p>Очистіть сітчастий фільтр</p> <ul style="list-style-type: none"> <li>• Вимкніть автоматичний вимикач.</li> <li>• Відкрийте кран гарячої води, щоб скинути тиск в приладі.</li> <li>• Ввімкніть автоматичний вимикач.</li> </ul>














## **OGÓLNE INSTRUKCJE BEZPIECZEŃSTWA OSTROŻNIE!**

1. Niniejsza instrukcja stanowi nieodłączną część produktu. Przechowywać ją w pobliżu produktu i przekazać następnemu użytkownikowi/właścicielowi w razie zmiany własności.
2. Przeczytać uważnie instrukcje i ostrzeżenia zawarte w niniejszej instrukcji, które zawierają ważne informacje dotyczące bezpiecznej instalacji, użytkowania i konserwacji.
3. Urządzenie musi zostać zainstalowane i uruchomione przez wykwalifikowanego technika zgodnie z miejscowymi przepisami i przepisami BHP. Przed otwarciem listwy zaciskowej należy wyłączyć wszystkie obwody zasilania.
4. NIE używać urządzenia do celów innych niż określone. Producent nie ponosi odpowiedzialności za szkody wynikające z niewłaściwego lub nieprawidłowego użytkowania urządzenia lub nieprzestrzegania zaleceń zamieszczonych w niniejszej instrukcji.
5. Niewłaściwa instalacja może spowodować uszkodzenie własności i obrażenia osób i zwierząt; producent nie ponosi odpowiedzialności za konsekwencje takich działań.
6. NIE pozostawiać materiałów opakowaniowych (zszywek, torebek plastikowych, styropianu, itp.) w zasięgu dzieci - mogą one spowodować poważne obrażenia.
7. Urządzenie nie jest przeznaczone do użytku przez osoby w wieku poniżej 8 lat, z ograniczoną sprawnością fizyczną, sensoryczną lub umysłową lub bez wymaganego doświadczenia i wiedzy, chyba że pod nadzorem lub zgodnie z instrukcjami dotyczącymi bezpiecznego użytkowania urządzenia i zagrożeń występujących podczas użytkowania. NIE pozwalać dzieciom na zabawę urządzeniem. Czyszczenie i konserwacja nie mogą być wykonywane przez dzieci bez nadzoru.
8. Wszelkie naprawy, konserwacje, prace hydrauliczne i podłączenia elektryczne muszą być wykonywane przez wykwalifikowanych techników przy użyciu oryginalnych części zamiennych. Nieprzestrzeganie powyższych instrukcji może zagrozić bezpieczeństwu urządzenia i zwalnia producenta z odpowiedzialności za wszelkie konsekwencje wynikające tych działań.
9. Temperatura ciepłej wody jest regulowana przez termostat, który działa również jako urządzenie zabezpieczające przed niebezpiecznym przegrzaniem.
10. Połączenia elektryczne należy wykonać zgodnie z instrukcją.
11. Jeśli urządzenie jest wyposażone w przewód zasilający, może on być wymieniony wyłącznie przez autoryzowany punkt serwisowy lub profesjonalnego technika.
12. Należy opróżnić urządzenie, jeśli nie działa lub znajduje się w strefie o ujemnych temperaturach.
13. Nie pozostawiać w kontakcie z urządzeniem lub w jego pobliżu żadnych łatwopalnych przedmiotów.



Symbol	Znaczenie
	Nieprzestrzeganie tego ostrzeżenia może spowodować obrażenia, które w pewnych okolicznościach mogą być nawet śmiertelne.
	Nieprzestrzeganie tego ostrzeżenia może spowodować szkody lub obrażenia, nawet własności; roślin i zwierząt
	Przestrzegać ogólnych i szczegółowych instrukcji dotyczących bezpieczeństwa produktu.

## OGÓLNE PRZEPISY BEZPIECZEŃSTWA

Odn.	Ostrzeżenie	Ryzyko	Symbol
1.	Nie otwierać urządzenia ani nie wyjmować go z instalacji	Zagrożenie porażeniem prądem elektrycznym ze względu na obecność sprzętu elektrycznego pod napięciem. Obrażenia ciała spowodowane przez części i rany spowodowane na skutek kontaktu z ostrymi krawędziami	
2.	Nie uruchamiać ani nie zatrzymywać urządzenia poprzez wsuwanie/ciągnięcie wtyczki	Zagrożenie porażeniem prądem elektrycznym w wyniku uszkodzenia przewodu zasilającego, jego wtyczki lub gniazda	
3.	Nie uszkadzać kabla zasilającego	Zagrożenie porażeniem prądem elektrycznym z powodu kontaktu z nieosłoniętymi przewodami pod napięciem	
4.	Nie pozostawiać żadnych przedmiotów na urządzeniu	Obrażenie ciała spowodowane spadaniem przedmiotów z urządzenia w wyniku drgań	
		Uszkodzenie urządzenia lub innej własności w wyniku upadku przedmiotów z urządzenia w wyniku drgań	
5.	Nie wspiąć się na urządzenie	Obrażenia ciała spowodowane upadkiem z urządzenia	
		Uszkodzenie urządzenia lub innej własności w wyniku odłączenia się urządzenia od mocowania	
6.	Nie czyścić urządzenia bez uprzedniego wyłączenia, wyciągnięcia wtyczki lub wyłączenia zasilania	Zagrożenie porażeniem prądem elektrycznym ze względu na obecność sprzętu elektrycznego pod napięciem	
7.	Zainstalować urządzenie na solidnej ścianie, nienarażonej na drgania	Niebezpieczeństwo upadku urządzenia ze ściany w wyniku zapadnięcia się konstrukcji lub głośnej pracy	
8.	Wykonać podłączenie elektryczne przy użyciu kabli o odpowiednim przekroju	Niebezpieczeństwo pożaru w wyniku przegrzania zbyt cienkich przewodów elektrycznych	
9.	Przed przywróceniem użytkowania przywrócić wszystkie funkcje bezpieczeństwa i sterowania	Uszkodzenie lub zablokowanie urządzenia na skutek niewłaściwej kontroli	
10.	Przed przystąpieniem do pracy przy urządzeniu, opróżnić wszystkie elementy zawierające gorącą wodę za pomocą kurków upustowych	Niebezpieczeństwo poparzeń	
11.	Odkamieniać system w sposób wskazany w „karcie bezpieczeństwa produktu”. Podczas wykonywania działań należy wietrzyć pomieszczenie, stosować odzież ochronną, nie mieszać produktów i chronić urządzenie oraz wszelkie sąsiednie przedmioty	Uszkodzenia ciała spowodowane kontaktem skóry i oczu, wdychaniem lub spożyciem szkodliwych substancji chemicznych	
		Uszkodzenie urządzenia i otaczających przedmiotów w wyniku korozji spowodowanej kwaśnymi substancjami	
12.	Do czyszczenia urządzenia nie należy używać środków owadobójczych, rozpuszczalników ani agresywnych detergentów	Uszkodzenia plastikowych i malowanych części i zespołów	

## CHARAKTERYSTYKA TECHNICZNA

Specyfikacje techniczne znajdują się na tabliczce znamionowej (tabliczka znamionowa znajduje się po prawej stronie ogrzewacza wody).

Informacje o produkcie										
Moc (kW)	5,0	6,0	7,0	7,7	8,0	9,0	9,5	10,5	12,0	12
Napięcie	220-240V									400-415
Fazy	Mono									3 fazy
Instalacja	Ukryta instalacja									
Struktura	Zamknięty wylot									
Model	Patrz tabliczka znamionowa									
Częstotliwość	50/60hz									
Amper	22.7	27.2	31.8	35.0	36,4	40,9	43,2	47.7	54.5	30
Ochrona wodna	IP24									
Podłączenie rur	1/2" BSP									
Min. przepływ wody	2,1l/Min									
Qelec (kWh)	2.119	2.119	2.224							2.191
maksymalne ciśnienie wody	8 BAR									
Ładowanie profilu	XXS	XXS	XS							XS
Lwa (db)	15db									
wh	40%	40%	38%							39%
Objętość znamionowa (l)	400cc									
Masa	2400 g									
Wymiary	304 mm x 178 mm x 98 mm									

Dane dotyczące zużycia energii w tabeli i inne informacje zamieszczone w Karcie Danych Produktu (załącznik A do instrukcji) są zdefiniowane na podstawie dyrektyw UE 812/2013 i 814/2013.

Produkty bez etykiety i arkusza danych ogrzewaczy i instalacji słonecznych, przewidziane w rozporządzeniu 812/2013 nie są przeznaczone do stosowania w takich zestawach.

W produktach wyposażonych w pokrętko regulacyjne, termostat jest umieszczony w <gotowym ustawieniu wskazanym w Arkuszu Danych (Załącznik A), zgodnie z którym odpowiednia klasa energetyczna została wskazana przez producenta.

**Produkt powinien być podłączony wyłącznie do zasilania o odpowiedniej impedancji systemu nie większej niż 0,237 omów.**

**Możliwe jest nałożenie ograniczeń w zakresie podłączenia przez odpowiedni organ na korzystanie z urządzeń w rzeczywistej odpowiedniej impedancji systemu w punkcie interfejsu na poziomie użytkownika przekraczającym 0,237 omów.**

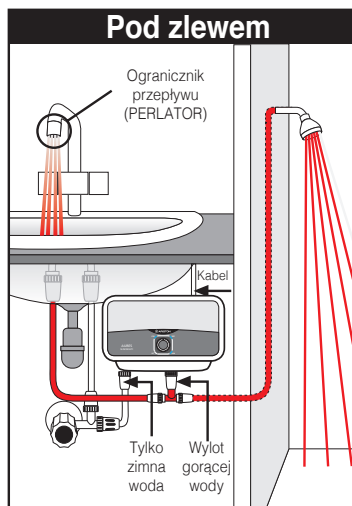
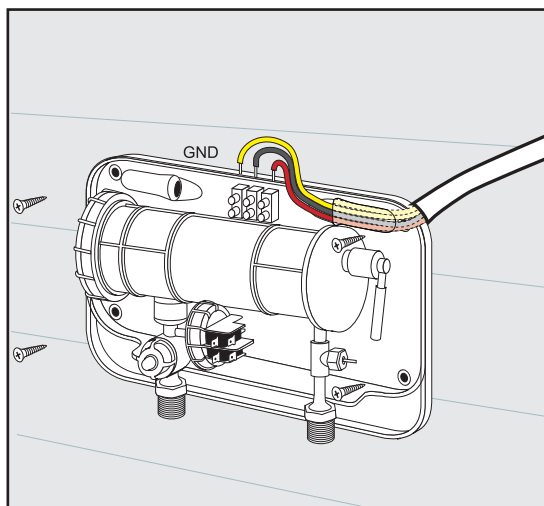
**Urządzenie jest zgodne z międzynarodowymi przepisami bezpieczeństwa elektrycznego IEC 60335-1 i IEC 60335-2-35. Jeśli występuje, oznakowanie CE urządzeń potwierdza zgodność z następującymi dyrektywami WE, które spełniają podstawowe wymagania:**

- Dyrektywa niskonapięciowa LVD: EN 60335-1, EN 60335-2-35, EN 60529, EN 62233, EN 50106.
- Kompatybilność elektromagnetyczna EMC: EN 55014-1, EN 55014-2, EN 61000-3-2, EN 61000-3-3, EN 61000-3-11 i EN 61000-3-12.
- Produkty związane z energią ERP: Eu812, Eu814, EN50193-1-2013.

## INSTRUKCJA INSTALACJI

Urządzenie musi zostać zainstalowane i uruchomione przez wykwalifikowanego technika zgodnie z odpowiednimi przepisami i przepisami BHP.

1. Odkręcić cztery śruby znajdujące się u góry i u dołu urządzenia i zdjąć pokrywę z podstawy.
2. Przymocować podstawę poziomo do ściany lub bocznej części szafy. **Przewód uziemiający musi być podłączony do urządzenia**, a rury wlotowe i wylotowe muszą się znajdować po stronie dolnej/górnej urządzenia. Użyć dostarczonych 4 śrub montażowych.



3. **Użyć dostarczonego filtra wody na linii doprowadzającej wodę (patrz schemat Strona 79).**
4. Podłączyć linię doprowadzającą wodę (tylko zimną) do wlotowej rury wody z lewej dolnej strony i odprowadzającą wodę do rury wylotowej wody po prawej dolnej stronie. Odkręcić kurek zasilania sieciowego i sprawdzić, czy nie jest obecny wyciek wody z urządzenia.
5. Przed wykonaniem jakichkolwiek czynności należy odłączyć urządzenie od sieci elektrycznej za pomocą zewnętrznego przełącznika, a następnie podłączyć kabel zasilający do urządzenia. Urządzenie musi być uziemione, a kabel uziemiający (oznaczony na rysunku literą a) musi być podłączony do zacisku oznaczonego symbolem  $\oplus$ .
6. Włączyć urządzenie i sprawdzić, czy działa zgodnie w prawidłowy sposób.
7. Podłączyć pokrywę do podstawy za pomocą 4 śrub.
8. Wyłącznik obwodu uziemienia/wyłącznik zwarciovowy musi być wbudowany w obwód.
9. **Upewnić się, że ciśnieniowy zawór nadmiarowy znajdujący się przed rurą wlotową (dostarczany z produktem) jest zainstalowany w prawidłowy sposób (Strona 79).**
10. **Na zlewie lub prysznicu zainstalować ogranicznik przepływu (PERLATOR).**

## 11. OSTRZEŻENIE: URZĄDZENIE MUSI BYĆ PRAWIDŁOWO UZIEMIONE

## 12. OGRZEWACZ MUSI MIEĆ WŁASNY, NIEZALEŻNY OBWÓD Z WYKORZYSTANIEM PRAWIDŁOWO WYKONANEGO WYŁĄCZNIKA I ODPOWIEDNIEGO PRZEWODU, PATRZ TABELA ZALECANYCH KABLI.

### INSTRUKCJA OBSŁUGI

1. Państwa nowy Przepływowy Ogrzewacz Wody jest aktywowany w wyniku przepływu wody. Ustawić pokrętkę w jednym z 3 ustawień mocy (Low, Med, High), nastąpi włączenie urządzenia. Odkręcić kran gorącej wody. Element grzewczy będzie działał i będzie ogrzewał wodę tylko podczas przepływu wody przez urządzenie. W celu aktywacji systemu ciągłego grzania konieczny jest przepływ co najmniej 2,1 litra na minutę. Przepuszczać wodę przez ogrzewacz przez kilka minut.
2. Co jakiś czas czyścić głowicę natryskową z osadu, aby zapewnić płynny przepływ wody.
3. Pamiętać, aby co jakiś czas czyścić filtr wlotowy wody.
4. Zainstalować przepływowy ogrzewacz wody w ogrzewanym miejscu. Urządzenia nie można instalować w miejscach narażonych na znaczny spadek temperatury i pojawienie się lodu.
5. Użytkownik może wyregulować temperaturę gorącej wody regulując moc nastawczą urządzenia. Można wybrać do 4 ustawień pozycji:
  - Power (Wyłączony) - Element grzewczy jest wyłączony
  - Low (Niski) - włącza się tylko 1. element grzewczy
  - Med (Średni) - Włącza się tylko 2. element grzewczy
  - High (Wysoki) - Włącza się 1. i 2. element grzewczy, które ze sobą współpracują.

### Funkcjonalność ELCB:

Wbudowany moduł ELCB automatycznie odcina dopływ prądu w razie upływu prądu wynoszącego 15 mA.

Lampa ELCB świeci się, gdy funkcja ELCB działa prawidłowo i będzie migać, jeśli wykryje upływ prądu. W razie wyłączenia termostatu, lampa ELCB zaświeci się i zgaśnie po ponownym uruchomieniu termostatu.



### Test szczelności elektrycznej:

Aby się upewnić, że funkcja ELCB działa prawidłowo, zaleca się testować tę procedurę przynajmniej raz w miesiącu.

Po włączeniu zasilania i wody

1. Po naciśnięciu przycisku „TEST” powinno nastąpić wyłączenie urządzenia i odcięcie zasilania, wszystkie diody powinny zgasnąć.
2. Po naciśnięciu przycisku „RESET” (C) urządzenie powinno powrócić do normalnego funkcjonowania, powinno nastąpić zaświecenie NIEBIESKIEJ diody ELCB.

Wystąpienie opisanych sytuacji oznacza, że ELCB działa prawidłowo.

Jeśli w razie naciśnięcia przycisku RESET po naciśnięciu przycisku TEST nie następuje zaświecenie lampy ELCB,

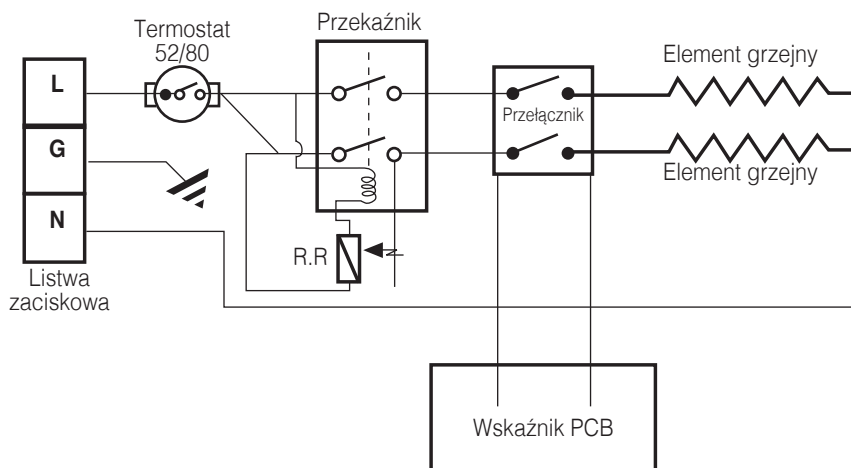
wyłączyć zasilanie sieciowe i skontaktować się z serwisem Ariston w celu dokonania naprawy. NIGDY nie próbować samodzielnie naprawiać urządzenia.

## WYMOGI INSTALACYJNE

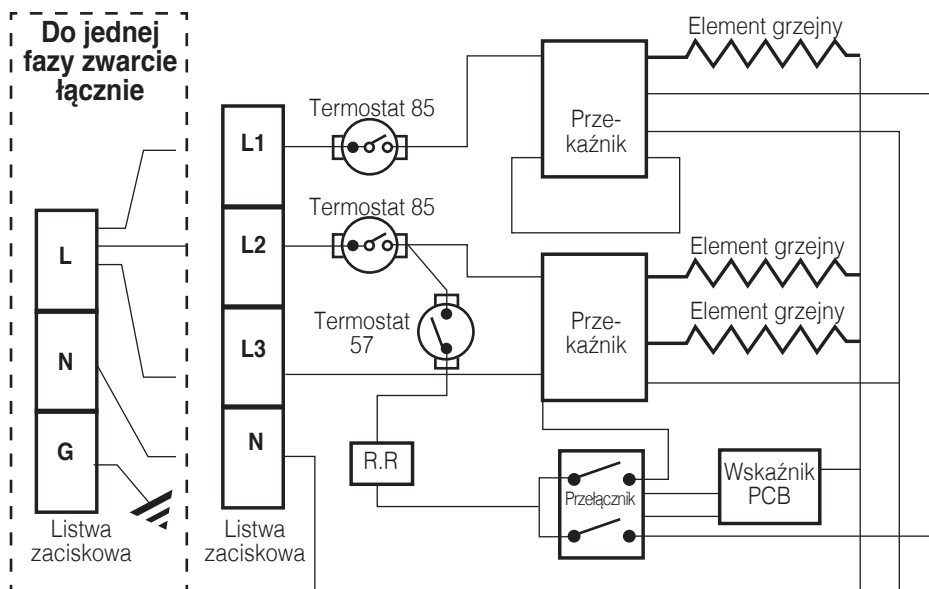
- A. Wymagana jest osobna linia elektryczna.
- B. Urządzenie musi być podłączone do oddzielnego wyłącznika automatycznego.
- C. Zalecany kabel elektryczny do zasilania urządzenia, patrz tabela I (następna strona).

## INSTALACJA

### Urządzenie 220V - 240V do 7,0kW

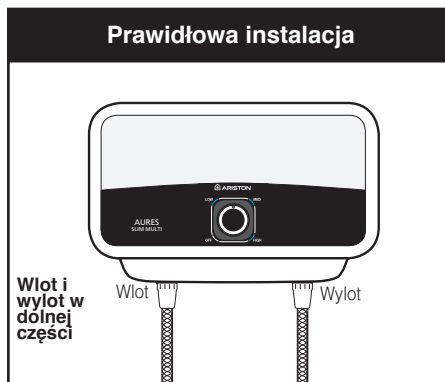


### Urządzenie 220-240V do 12Kw & 400-415V 3Fazy



## OSTRZEŻENIE!

PRZED ROZPOCZĘCIEM JAKICHKOLWIEK DZIAŁANIA NA INSTALACJI ELEKTRYCZNEJ NALEŻY SIĘ UPEWNIĆ, ŻE WYŁĄCZNIK OBWODU ZNAJDUJE SIĘ W POZYCJI „OFF”, ABY UNIKAĆ NIEBEZPIECZEŃSTWA PORAŻENIA PRĄDEM ELEKTRYCZNYM

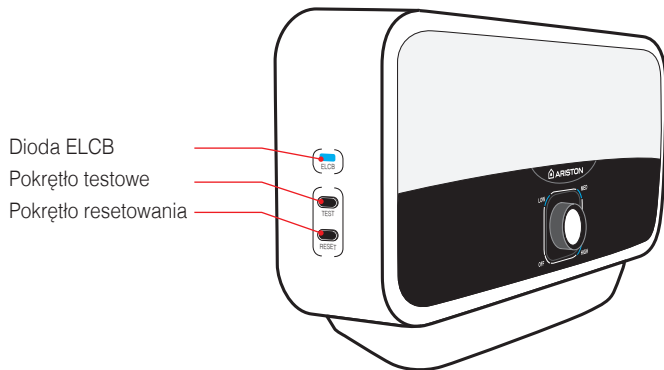
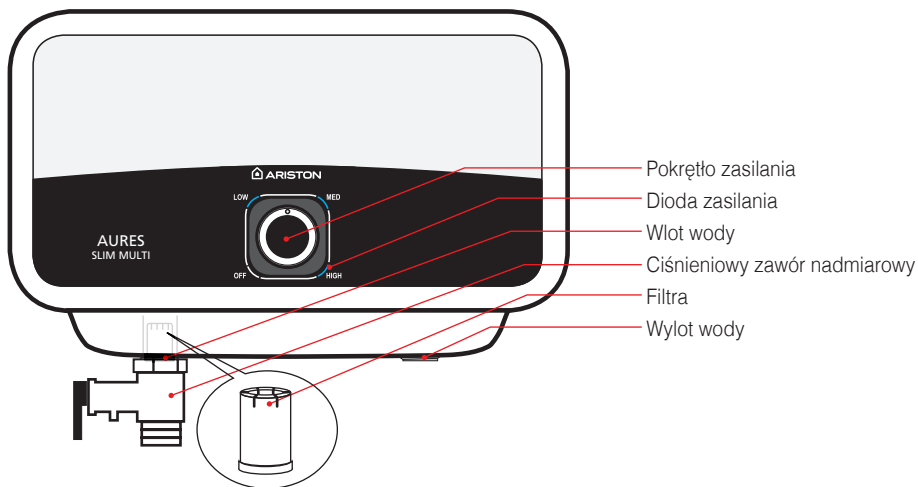


**Tabela I: Zalecany kabel**

Nazwa modelu	Amper	220V	230V	240V	Elementy grzejne	Fazy	Min. przewód połowy AWG	Uziemienie AWG
5 kW	22,7	5kW	5,5kW	6kW	2+3	Mono	10	10
5,5 kW	22,7	5kW	5,5kW	6kW	2,2+3,3	Mono	10	10
6 kW	27,2	6,0kW	6,5kW	7,1kW	2,5+3,5	Mono	10	10
7 kW	31,8	7,0kW	7,6kW	8,3kW	3+4	Mono	6	10
7,7 kW	35,0	7,7kW	8,4kW	9,1kW	3,3+4,4	Mono	6	10
8 kW	36,3	8,0kW	8,7kW	9,5kW	3,8+4,2	Mono	6	10
9,5 kW 240V	38,6	8,0kW	8,7kW	9,5kW	4,5+5	Mono	6	10
9,5 kW 230V	41,3	9,0kW	9,5kW	10,7kW	4+5	Mono	6	10
9,5 kW	43	9,5kW	10,3kW	11,3kW	4,5+5	Mono	6	10
10,5 kW	47,7	10,5kW	11,4kW	12,5kW	5,25+5,25	Mono	6	10
12 kW 220V	54,5	12,0kW	13,0kW	14,2kW	4+4+4	Mono	4	8
12 kW	30	12,0kW	13,0kW	14,2kW	4+4+4	3 Fazy	4	8

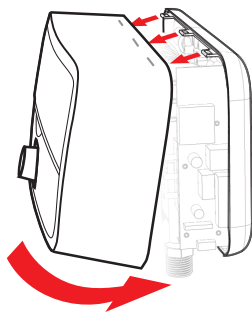
• Ciśnienie robocze wody 0,5-8 bar (7-116 psi) • Przelącznik przepływu wody  
 • Standardowe przyłącze wlotowe 1/2"Ø • Górne lewe i prawe wejście kablowe • Dolny lewy dopływ wody

**WYMIARY URZĄDZENIA: WYSOKOŚĆ 178mm SZEROKOŚĆ 304mm GŁĘBOKOŚĆ 98mm**

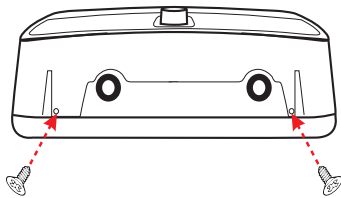


## Kroki zamykania pokrywy

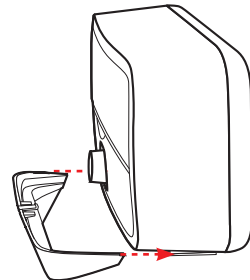
**A**



**B**



**C**



**Produkt jest zgodny z  
Dyrektywą WEEE 2012/19/UE.**



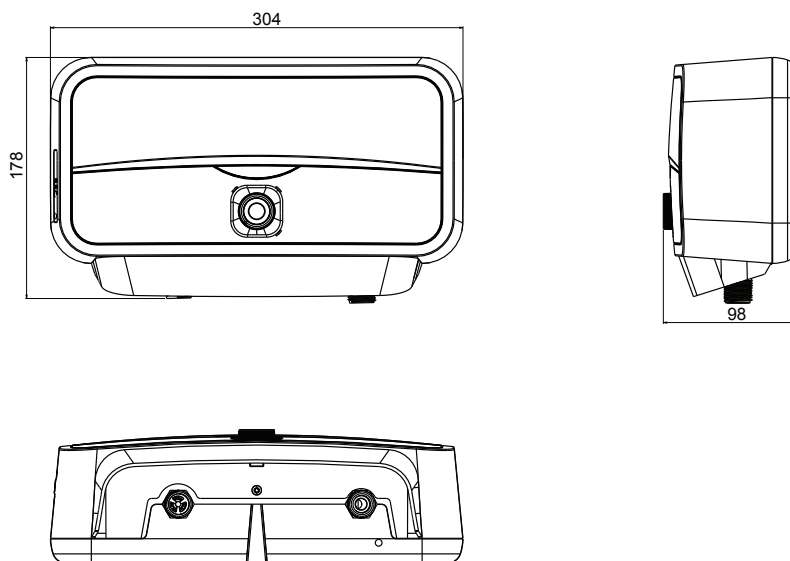
Symbol przekreślonego pojemnika na odpady wskazuje, że pod koniec okresu użytkowania produkt nie powinien być wyrzucany łącznie z odpadami komunalnymi. Należy go utylizować w ośrodku utylizacji odpadów z przeznaczeniem dla urządzeń elektrycznych i elektronicznych lub zwrócić sprzedawcy w chwili zakupu nowego produktu.

Użytkownik jest odpowiedzialny za przekazanie produktu po zakończeniu jego eksploatacji do właściwego ośrodka utylizacji.

Ośrodki utylizacji odpadów (który przy użyciu specjalnych procesów przetwarzania i recyklingu skutecznie demontuje i utylizuje urządzenia) pomagają chronić środowisko poprzez odzysk materiału, z którego jest wykonany produkt.

Dodatkowe informacje na temat systemów utylizacji odpadów można uzyskać w miejscowym ośrodku utylizacji odpadów lub u sprzedawcy, u którego produkt został zakupiony.

## Wymiary produktu





## Rozwiązywanie problemów

OBJAW	MOŻLIWA PRZYCZYNA	ROZWIĄZANIE
Woda nie jest wystarczająco gorąca	Przez grzejnik przepływa zbyt duża ilość wody  Redukcja w temperaturze otoczenia  Ciśnienie wody spadło poniżej 100 kPa  Usterka elektryczna	Zmniejszyć natężenie przepływu wody za pomocą kurka spustowego.  Przełączyć na ustawienie wyższej temperatury.  Sprawdzić, czy zawór odcinający zasilania jest całkowicie otwarty i, czy nie ma żadnych innych blokad w linii zasilającej.  Zlecić kontrolę ogrzewacza wykwalifikowanemu elektrykowi lub skontaktować się z miejscowym autoryzowanym dystrybutorem.
Zbyt gorąca woda	Przez ogrzewacz przepływa zbyt mała ilość wody  Wzrost w temperaturze otoczenia	Zwiększyć natężenie przepływu wody za pomocą kurka spustowego.  Przełączyć na ustawienie niższej temperatury.
Podczas użytkowania ogrzewacz się wyłącza	Przerwanie zasilania sieciowego	Sprawdzić zasilanie, MCB, przełączniki i okablowanie zasilające. Sprawdzić upływ prądu z uziemienia i skasować ELSD.
Woda przestaje płynąć	Zablokowanie głowicy natryskowej, skręcony lub zablokowany elastyczny przewód natryskowy.  Brak dopływu wody.	Wyczyścić lub wymienić głowicę natryskową, sprawdzić, czy woda przepływa przez przewód. W razie potrzeby wymienić.  Sprawdzić dopływ wody i czy zawór odcinający jest otwarty i nie zawiera blokad.
Temperatura wody podczas użytkowania waha się od gorącej do zimnej	Ciśnienie wody spadło poniżej minimalnego poziomu.	Zwiększyć dopływ gorącej wody.
Brak ciepłej wody pomimo całkowicie otwartego kranu z gorącą wodą	Brak zasilania elektrycznego  Nie osiągnięto natężenia przepływu koniecznego do włączenia elementu grzejnego.	Sprawdzić wyłącznik obwodu i napięcie na bloku przewodów.  Wyczyścić ekran filtra <ul style="list-style-type: none"> <li>• Wyłączyć wyłącznik.</li> <li>• Otworzyć zawór gorącej wody, aby zwolnić ciśnienie z urządzenia.</li> <li>• Włączyć wyłącznik obwodu.</li> </ul>

---

**Ariston Thermo S.p.A.**,  
Viale Aristide Merloni, 45  
60044 Fabriano (AN)  
Tel. (+39) 0732.6011  
ariston.com



WE MAKE USE OF  
RECYCLED PAPER