



ARISTON

The home of sustainable comfort



Fast R

Gas Instantaneous Water Heaters

Introducing the new Gas Instantaneous Water heater range from **Ariston**, a global leader in **comfort**. FAST R combines ease of use with high reliability thanks to its control panel and its robust structure. Rest assured in the knowledge that your **comfort** is in the most trustworthy of hands.



BATTERY POWERED IGNITION

Beat load shedding with battery ignition



EXTRA SAFETY

Flame, water, flue & overheat detection sensors



SIMPLE INSTALLATION

With minimal effort



EASY TEMPERATURE CONTROL

With water and gas regulating knobs



WARRANTY

2 Year Warranty



ITALIAN DESIGN

Designed by Umberto Palermo

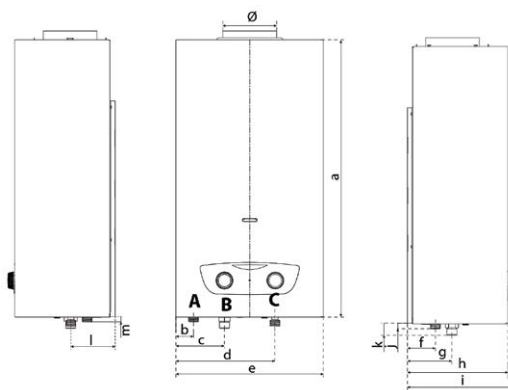


Fast Evo Features and Benefits

- / Temperature stability during shower
- / Continuous hot water at low flow rates
- / Solid and durable components
- / Flame off during product standby
- / Up-to-date technology for complete safety
- / Simple temperature regulation
- / Easy maintenance



Technical Information



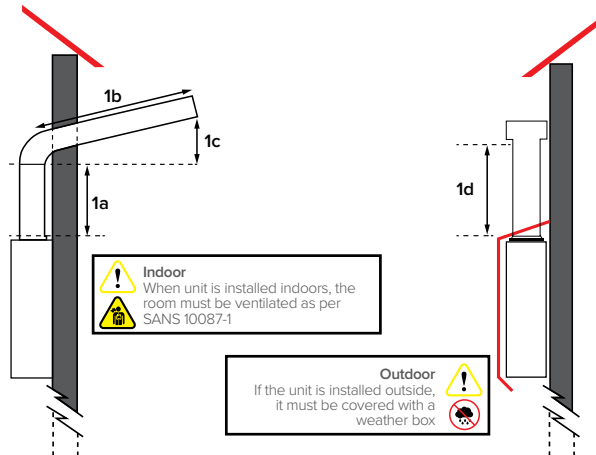
- B. Hot water outlet 1/2"
- C. Gas Inlet 1/2"
- D. Cold water inlet 1/2"

Overall Dimensions

	Ø	a	b	c	d	e	f	g	h	i	j	k	l	m
11L	112	580	44	102	208	310	63	93,3	210,8	225,5	11,4	25	92,8	17
14L	132		70	132	238	370	58,8							

Flue Dimensions (mm)

	Ø	1a	1b	1c	1d
Fast R 11L	112				
Fast R 14L	132	≥500	1000	80	600



Model name	Fast R ONM 14 LPG	Fast R ONM 11 LPG
Installation	Outdoor* or Indoor	Outdoor* or Indoor
Gas type	LPG	LPG
Gas Inlet pressure (kPa)	2,8	2,8
Nominal flow rate (l/min)	14	11
Δ T @ nominal flow rate (°C)	25	25
Min flow rate (l/min)	N/A	N/A
Nominal heat input (max - min) (kW)	27,0 - 10,5	21,5 - 8,5
Working pressure (max - min) (kPa)	1000 - 20	1000 - 15
Power supply	2x 1,5V Batteries	2x 1,5V Batteries
Gas consumption (kg/h)	2,13	1,7
Solar kit compatible	No	No
Min ambient temperature (°C)	5	5
NG conversion kit	Available	Not Available
Dimensions (h x w x d) (mm)	580 x 370 x 225	580 x 370 x 225
Weight (kg)	11,2	9,8

*Outdoor installation with weather cover

