

EN INSTANTANEOUS ELECTRIC WATER HEATER

FR CHAUFFE-EAU ÉLECTRIQUE INSTANTANÉ

ES CALENTADOR DE AGUA ELÉCTRICO INSTANTÁNEO

PT AQUECEDOR INSTANTÂNEO DE ÁGUA ELÉTRICO

PL ELEKTRYCZNY PRZEPEŁYWOWY OGRZEWACZ WODY

RUS ПРОТОЧНЫЙ ЭЛЕКТРИЧЕСКИЙ ВОДОНАГРЕВАТЕЛЬ




UA ПРОТОЧНИЙ ЕЛЕКТР ИЧН ИЙ ВОДОН АГРІВАЧ

RO ÎNCĂLZITOR DE APĂ ELECTRIC INSTANT



AR سخان مياه كهربائي فوري

## GENERAL SAFETY INSTRUCTION

1. This manual is an integral part of the product. Keep it with care with the appliance, and hand it on to the next user/owner in case of change of property.
2. Read the instructions and warning in this manual carefully, they contain important information regarding safe installation, use and maintenance.
3. The appliance must be installed and commissioned by a qualified technician in accordance with local legislation and health and safety regulations. All power circuits must be shut off before you open the terminal block.
4. **DO NOT** use the appliance for any other than its specified use. The manufacturer is not liable for damage resulting from improper or incorrect use or failure to observe the instructions given in this manual.
5. Incorrect installation can result in damage to property and injury to persons and animals; the manufacturer is not liable for the consequences.
6. **DO NOT** leave the packaging materials (staples, plastic bags, expanded polystyrene, etc.) within the reach of children - they can cause serious injury.
7. **This appliance can be used by children aged from 3 years and above and persons with reduced physical, sensory or mental capabilities or lack of experience and knowledge if they have been given supervision or instruction concerning use of the appliance in a safe way and understand the hazards involved. DO NOT permit children to play with the appliance. User cleaning and maintenance may not be done by unsupervised children.**
8. Any repairs, maintenance, plumbing and electrical hookup must be done by qualified technicians using original spare parts only. Failure to observe the above instructions can compromise the safety of the appliance and relieves the manufacturer of any liability for the consequences.
9. The hot water temperature is regulated by a thermostat which also acts as a safety device to prevent dangerous overheating.
10. The electrical hookup must be done as indicated in this manual.
11. If the appliance is equipped with a power cord, the latter may only be replaced by an authorised service centre or professional technician.
12. Make sure to drain the appliance when it is out of service or in an area subject to subzero temperatures.
13. Do not leave flammable materials in contact with or in the vicinity of the appliance.
14. **DO NOT** touch the appliance when barefoot or if any part of your body is wet
15. Before using the device and after routine or extraordinary maintenance, we recommend filling the appliance's tank with water and draining it completely to remove any residual impurities.
16. Do not place anything under the water heater which may be damaged by a leak.

Symbol	Meaning
	Failure to observe this warning can result in injury, which may even be fatal in certain circumstances
	Failure to observe this warning can result in damage or injury, even to property; plants and animals
	Observe the product's general and specific safety instructions.

## GENERAL SAFETY STANDARDS

Ref.	Warning	Risk	Symbol
1.	Do not open the appliance or remove from its installation	Electrocution hazard due to the presence of live electrical equipment. Personal injury -overheated burns caused by components and wounds caused by sharp edges	
2.	Do not start or stop the appliance by inserting/pulling the power plug	Electrocution hazard due to damage to the power cord, its plug or the socket	
3.	Do not damage the power cord	Electrocution hazard due to bare live wires	
4.	Do not leave objects on the appliance	Personal injury due to objects falling off the appliance as a result of vibration	
		Damage to the appliance or other property due to objects falling off the appliance as a result of vibration	
5.	Do not climb onto the appliance	Personal injury due to falling off the appliance	
		Damage to the appliance or other property due to the appliance itself detaching from its mounting	
6.	Do not clean the appliance without having first switched it off, pulled its power plug or shut off its power switch	Electrocution hazard due to the presence of live electrical equipment	
7.	Install the appliance to a solid wall which is not subject to vibration	Danger of the appliance falling off the wall due to structural collapse, or noisy operation	
8.	Make the electrical hookup with cables of adequate cross-section	Danger of fire due to overheating of undersized electrical wires	
9.	Restore all safety and control functions after working on the appliance and check that they are operational before returning it to service	Damage or blocking of the appliance due to improper control	
10.	Drain all components containing hot water, using the bleed cocks, before handling them	Danger of burns	
11.	Descal the system as given in the products "safety sheet"; when doing so, ventilate the room, wear safety clothing, make sure not to mix products, and protect the appliance itself and any adjacent objects	Personal injury due to contact of the skin and eyes with acid, inhalation or ingestion of noxious chemicals	
		Damage to the appliance and adjacent objects due to corrosion by acid	
12.	Do not use insecticides, solvents or aggressive detergents to clean the appliance	Damage to plastic and painted parts and assemblies	

## TECHNICAL CHARACTERISTICS

For the technical specifications, refer to the nameplate (the nameplate is located on the right side of the water heater).

PRODUCT INFORMATION						
Model	AURES M 5 EU	AURES M 6 AURES M 6 EU	AURES M 7 EU AURES M 7 EG	AURES M 7.7 AURES SM2 7.7 EU	AURES M 7 SASO KSA	AURES M 8
Power (kW)	5-6	6-7.1	7-8.3	7.7-9.1	7.75	8-9.5
Voltage (V)	220-240	220-240	220-240	220-240	220-240	220-240
Phases	Mono					
Installation	Multi point					
Construction	Close outlet					
Frequency (Hz)	50/60					
Electric current (A)	25	29.6	34.6	37.9	33.7	39.6
Electrical diagram	I	II	II	I	II	II
Water Protection	IP25					
Pipe Connection	1/2" BSP					
Minimum water flow (l/min)	2.1					
Qelec (kWh)	2.119	2.119	2.224	--	--	--
Max water pressure	800 kPa (8 bar)					
Load profile	XXS	XXS	XS	--	--	--
Lwa (dB)	15					
$\eta_{wh}$	40%	40%	38%	--	--	--
Rated Volume (l)	0,45					
Weight (kg)	2					
Dimensions (mm)	304 x 180 x 110					

The power consumption data in the table and the other information given in the Product Data Sheet (Enclosure A to this manual) are defined in relation to EU Directives 812/2013 and 814/2013.

The products without the label and the data sheet for water heaters and solar devices, stipulated in regulation 812/2013, are not intended to be used in such assemblies.

Products equipped with a regulator knob have the thermostat positioned in the <ready to use setting indicated in the Data Sheet (Enclosure A), according to which the relevant energy class has been declared by the manufacturer.

**The product should be connected only to a supply with the relevant system impedance no more than 0.237 ohm.**

**Restrictions to connection may be imposed by the supply authority on the use of equipment in the actual relevant system impedance at the interface point on the user's premise exceeds 0.237 ohm.**

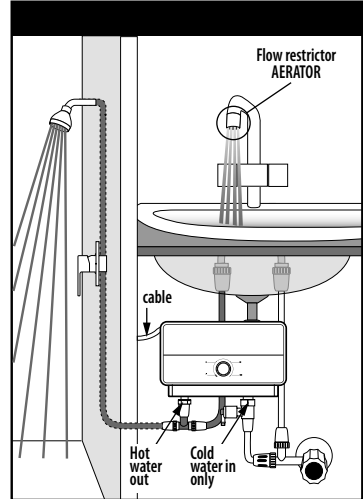
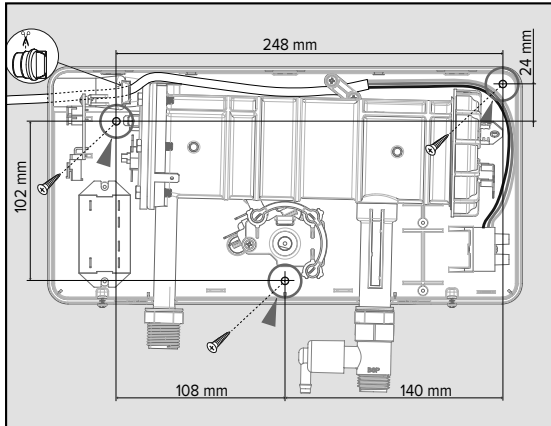
**This appliance is conforming with the international electrical safety standards IEC 60335-1 and IEC 60335-2-35. When present, The CE marking of the appliances attests its conformity to the following EC Directives, of which it satisfies the essential requisites:**

- LVD Low Voltage Directive: EN 60335-1, EN 60335-2-35, EN 60529, EN 62233, EN 50106.
- EMC Electro-Magnetic Compatibility: EN 55014-1, EN 55014-2, EN 61000-3-2, EN 61000-3-3, EN 61000-3-11 and EN 61000-3-12.
- ERP Energy related Products: Eu812, Eu814, EN50193-1-2013


## Installation Instructions:

The appliance must be installed and commissioned by a qualified technician in accordance with established regulations and local health and safety regulations..

1. Before performing any operations, disconnect the appliance from the electricity mains using the external switch.
2. Open the two screws located at the bottom of the device and remove the cover from base.
3. Fix the base horizontally against a wall or side of cabinet, the inlet and outlet water pipes are on the down/bottom side of the unit. Use the three mounting screws provided.



### 4. Use the supplied water filter on the inlet water pipe line (see diagram)

5. Connect the incoming water line (cold only) to the inlet water pipe on the bottom right side and the outgoing water line to the outlet water pipe on the bottom left side. Open the mains cock of water supply and check there is no water leakage from the unit.
6. Use a two-pole switch conforming with national laws in force (contact gap of at least 3 mm, preferably equipped with fuses) to disconnect the appliance's power supply.
7. Connect the power cable to the terminal block inside the unit. The appliance must be earthed and the earth cable must be fixed to the terminal marked by the symbol .
8. Turn on the unit and check that it is operating as required.
9. Reconnect the cover to the base with 2 screws.
10. It is required that a Ground Fault Circuit Interrupter/Earth Leakage Circuit Breaker be incorporated in the circuit.

### 11. Make sure to install in the right way the pressure relief valve (supplied with the product) before Inlet pipe.

### 12. It is required to install a flow control restrictor (AERATOR) at the sink or shower.

### 13. WARNING: UNIT MUST BE PROPERLY GROUNDED

### 14. THIS HEATER MUST HAVE ITS OWN INDEPENDENT CIRCUIT USING A CORRECTLY RATED CIRCUIT BREAKER AND SUITABLE WIRE, SEE TABLE RECOMMENDED CABLE.

**WARNING:** If the supply cord is damaged, it must be replaced by the manufacturer, its service agent or similarly qualified persons in order to avoid a hazard.

## OPERATING INSTRUCTIONS

1. Your new Instant Water Heater is flow activated. Regulate the knob in one of the 3 setting power (I, II, III) the product will switch ON and turn on the hot water tap. the heating element will work and warm the water only when there is a flow of water through the appliance.. You will need to allow at least 2.1 liters per minute to flow through the unit in order to activate the Instant Heating System. Run water through the heater for a few minutes.
2. Be sure to every so often clean the spray head from sediment to assure a smooth water flow.
3. Be sure to every so often clean the incoming water filter.
4. Be sure to install your Instant Water Heater in a heated location. The appliance cannot be installed in areas where the temperature may drop critically and there may be a risk that ice may form.
5. The user can adjust the hot water temperature regulating the setting power on the unit. the user can choose till 4 setting poer position:
  - O - Heating element is off
  - I - Only the 1st Heating element switches on.
  - II - Only the 2nd heating element switches on.
  - III - 1st and 2nd heating elements switch on, working together.

## INSTALLATION REQUIREMENTS

- A. A separate electrical line is required.
- B. The device must be connected to a separate circuit breaker.
- C. The recommended electrical cable for feeding the device, see table I (next page)

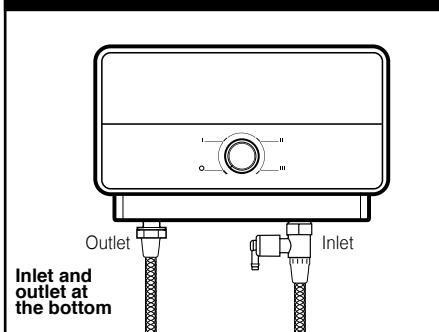
## INSTALLATION

See electrical diagrams at the end of the booklet.

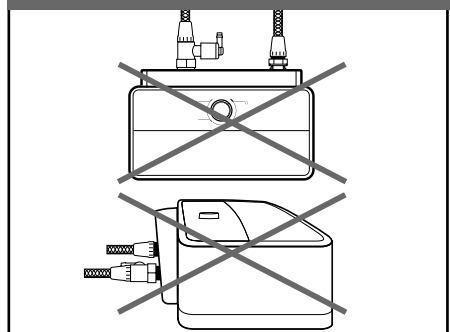
### WARNING!

**BEFORE BEGINNING ANY WORK ON THE ELECTRICAL INSTALLATION BE SURE THAT THE CIRCUIT BREAKER IS IN THE "OFF" POSITION TO AVOID DANGER OF ELECTRICAL SHOCK**

#### Correct Installation



#### Incorrect Installation



### ATTENTION

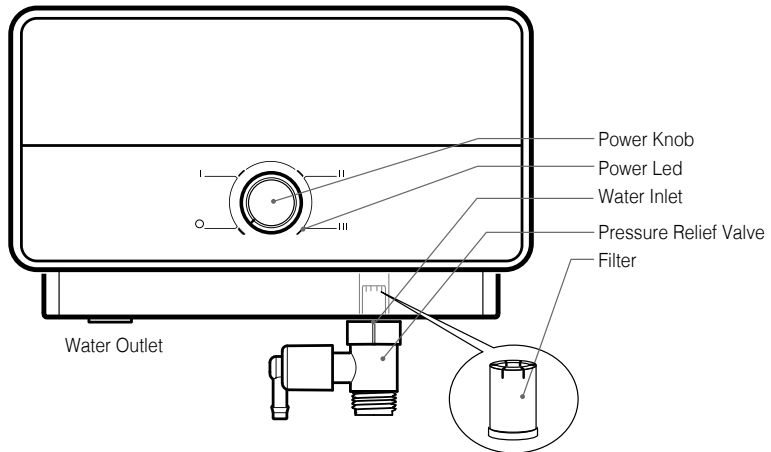
The water inlet of this appliance shall not be connected to inlet water obtained from any other water heating system

**Table 1: Recommended cable**

Power	kW Loaded	Heating Setting	Recommended Cable	Recommended Fuse Rating
	220-240V			
AURES M 5 EU	5-6	3.0+2.0 kW	H05VV-F 3x4 mm <sup>2</sup>	32 A
AURES M 6 AURES M 6 EU	6-7.1	3.5+2.5 kW	H05VV-F 3x4 mm <sup>2</sup>	32 A
AURES M 7 EU AURES M 7 EG	7-8.3	3.7+3.3 kW	H05VV-F 3x6 mm <sup>2</sup>	40 A
AURES M 7.7 AURES SM2 7.7 EU	7.7-9.1	4.4+3.3 kW	H05VV-F 3x6 mm <sup>2</sup>	40 A
AURES M 7 SASO KSA	7.75	4.4+3.3 kW	H05VV-F 3x6 mm <sup>2</sup>	40 A
AURES M 8	8-9.5	4.0+4.0 kW	H05VV-F 3x6 mm <sup>2</sup>	40 A

• Operating water pressure 50-800 kPa (0.5-8 bar) • Water pressure operating power switch  
• Standard 1/2"Ø compression inlet connection • Top-left cable entry • Bottom-right water entry

**UNIT DIMENSIONS: HEIGHT 180mm WIDTH 304mm DEPTH 110mm**



**This product conforms to Directive WEEE 2012/19/EU.**

The symbol of the crossed waste paper basket on the appliance indicates that at the end of its working life the product should be disposed of separately from normal domestic household rubbish, it must be disposed of at a waste disposal center with dedicated facilities for electric and electronic appliances or returned to the retailer when a new replacement product is purchased. The user is responsible for the disposal of the product at the end of its life at an appropriate waste disposal center. The waste disposal center (which using special treatment and recycling processes effectively dismantles and disposes of the appliance) helps to protect the environment by recycling the material from which the product is made. For further information about waste disposal systems visit your local waste disposal center or the retailer from which the product was purchased.




## Troubleshooting

SYMPTOM	POSSIBLE CAUSE	SOLUTION
Water not hot enough	<p>Too much water flowing through the heater</p> <p>Reduction In the ambient temperature</p> <p>Water Pressure below of 100 kPa</p> <p>Electrical Malfunction</p>	<p>Reduce the flow rate of the water via the outlet tap.</p> <p>Switch to higher temperature setting.</p> <p>Check if the mains stop valve is fully open and that there are no other restriction in the supply line.</p> <p>Have the Heater unit check by a qualified electrician or contact your local authorised distributor.</p>
Water too hot	<p>Not enough Water flowing through the heater</p> <p>Increase in the ambient temperature</p>	<p>Increase the flow rate via the outlet tap</p> <p>Switch to lower temperature setting</p>
Heater switch Off during use	<p>Interruption of mains electrical supply</p> <p>ELSD trip, possible earth leakage</p>	<p>Check incoming power supply, MCB, switches and supply cabling. Check earth leakage and reset ELSD</p> <p>If problem persists, call your local authorised distributor for assistance.</p>
Water ceases to flow	<p>Blockage of spray head, twisted or blocked flexible shower hose.</p> <p>No water supply.</p>	<p>Clean or replace spray head, check for free passage of water through hose. Replace as necessary.</p> <p>Check water supply, stop valve Open? and no blockage.</p>
Water temperature varies from hot to cold during use	<p>Water pressure has dropped below min. level.</p>	<p>Increase hot water supply,</p>
No hot water despite fully open hot water faucet	<p>No electrical power</p> <p>The activation flow rate needed to turn on the heating element has not been reached.</p>	<p>Check the circuit breaker and check voltage at the wiring block.</p> <p>Clean filter screen</p> <ul style="list-style-type: none"> <li>• Turn circuit breaker off</li> <li>• Open hot valve to release pressure from the unit.</li> <li>• Turn circuit breaker on.</li> </ul>



## CONSIGNES DE SÉCURITÉ, GÉNÉRALITÉS MISE EN GARDE !

1. Cette notice fait partie intégrante du produit. Conservez-la en lieu sûr et remettez-la à l'utilisateur ou au propriétaire suivant en cas de changement d'occupant.
2. Lisez attentivement les consignes et les avertissements contenus dans cette notice. Ils donnent des informations importantes concernant la sécurité de l'installation, de l'utilisation et de l'entretien.
3. L'installation et la mise en service initiale de l'appareil doivent être réalisées par un technicien qualifié, conformément aux lois locales et aux réglementations sur l'hygiène et la sécurité. Tous les circuits d'alimentation doivent être mis hors tension avant d'ouvrir le bornier.
4. **N'utilisez PAS** l'appareil pour des usages autres que l'usage indiqué. Le fabricant ne saurait être tenu responsable de dommages causés par une utilisation inappropriée ou incorrecte ou le non-respect des consignes données par la présente notice.
5. Une installation incorrecte risque de causer des dommages matériels et de blesser des personnes ou des animaux ; le fabricant ne saurait être tenu responsable des conséquences.
6. **NE laissez PAS** le matériel d'emballage (agrafes, sachets en plastique, polystyrène expansé, etc.) à la portée des enfants ; ils pourraient causer des dommages corporels graves.
7. **Cet appareil peut être utilisé par les enfants à partir de 3 ans, les personnes dont les capacités physiques, sensorielles ou mentales sont réduites et les personnes dénuées d'expérience ou de connaissance s'ils ont bénéficié d'une surveillance ou d'instructions pour utiliser l'appareil en toute sécurité et comprendre les dangers liés à cette utilisation. Il faut INTERDIRE aux enfants de jouer avec l'appareil. Un enfant sans surveillance ne doit pas entreprendre le nettoyage ou l'entretien de l'appareil.**
8. Tous les travaux de réparation, entretien, plomberie et branchement électrique doivent être réalisés par des techniciens qualifiés, en employant exclusivement des pièces de rechange d'origine. Le non-respect des consignes ci-dessus peut compromettre la sécurité de l'appareil et libère le fabricant de toute responsabilité quant aux conséquences.
9. La température de l'eau chaude est régulée par un thermostat, qui est également un dispositif de sécurité pour éviter le danger de surchauffe.
10. Le branchement électrique doit être réalisé en respectant les consignes de la présente notice.
11. Si l'appareil est doté d'un cordon d'alimentation, il devra être remplacé uniquement par un centre d'entretien agréé ou un technicien professionnel.
12. Veuillez à vidanger l'appareil quand il est hors service ou dans une région où la température peut être négative.
13. Ne pas laisser de matières inflammables en contact ou à proximité de l'appareil.
14. **Il est interdit** de toucher l'appareil si l'on est pieds nus ou avec des parties du corps mouillées.
15. Avant d'utiliser l'appareil et après une intervention d'entretien ordinaire ou extraordinaire, il convient de remplir d'eau le réservoir de l'appareil et d'effectuer ensuite une vidange complète, afin d'éliminer toute impureté résiduelle.
16. Éviter de se tenir sous l'appareil et d'y placer tout objet, pouvant, par exemple, s'abîmer à cause d'une fuite d'eau éventuelle.

Symbole	Signification
	Le non-respect de cet avertissement peut causer des dommages corporels, pouvant être mortels dans certaines conditions
	Le non-respect de cet avertissement peut causer des dommages matériels ou corporels, y compris pour des biens, des plantes ou des animaux.
	Respectez les consignes générales et spécifiques de sécurité du produit.

## NORMES GÉNÉRALES DE SÉCURITÉ

Réf.	Avertissement	Risque	Symbole
1.	Ne pas ouvrir l'appareil ou le retirer de son installation	Danger d'électrocution en raison de la présence de matériel électrique sous tension. Dommages corporels : brûlures par surchauffe causées par des éléments et plaies causées par des bords tranchants	
2.	Ne pas démarrer ou arrêter l'appareil en branchant ou en débranchant la fiche électrique	Danger d'électrocution en raison de l'endommagement d'un cordon d'alimentation, de la fiche ou de la prise	
3.	Ne pas endommager le cordon d'alimentation	Danger d'électrocution en raison de fils sous tension dénudés	
4.	Ne pas poser d'objets sur l'appareil	Dommages corporels provoqués par la chute des objets par suite de vibrations	
		Endommagement de l'appareil ou d'autres biens causé par la chute des objets à cause des vibrations	
5.	Ne pas monter sur l'appareil	Dommages corporels provoqués par la chute de l'appareil	
		Endommagement de l'appareil ou d'autres biens causé par l'appareil qui se détache de ses fixations	
6.	Ne pas nettoyer l'appareil sans l'avoir mis hors tension, l'avoir débranché ou avoir basculé le commutateur d'alimentation	Danger d'électrocution en raison de la présence de matériel électrique sous tension	
7.	Installer l'appareil sur un mur solide, non soumis à des vibrations	Danger de chute de l'appareil en raison d'un effondrement de la structure ou fonctionnement bruyant	
8.	Procéder au branchement électrique au moyen de câbles de section appropriée	Danger d'incendie causé par la surchauffe des fils électriques sous-dimensionnés	
9.	Rétablir toutes les fonctions de sécurité et de commande après toute intervention sur l'appareil et vérifier qu'elles fonctionnent correctement avant de le remettre en service	Domage ou blocage de l'appareil causé par une commande incorrecte	
10.	Vidanger tous les éléments contenant de l'eau chaude, y compris les robinets de purge, avant de les manipuler	Danger de brûlure	
11.	Détartre le circuit en suivant les consignes de la « fiche de sécurité » du produit ; pour cette opération, ventiler la pièce, porter des vêtements de sécurité, veiller à ne pas mélanger les produits et protéger l'appareil et les quelconques objets se trouvant à proximité	Dommages corporels causés par un contact avec la peau et les yeux, ainsi que par inhalation ou ingestion d'agents chimiques nocifs	
		Dommages corrosifs de l'appareil et des objets se trouvant à proximité causés par de l'acide	
12.	Ne pas utiliser d'insecticides, solvants ou détergents agressifs pour nettoyer l'appareil	Dommages causés aux pièces et assemblages en plastique et peints	

## CARACTÉRISTIQUES TECHNIQUES

Pour les caractéristiques techniques, se reporter à la plaque signalétique (elle se trouve sur le côté droit du chauffe-eau).

INFORMATIONS PRODUIT						
Modèle	AURES M 5 EU	AURES M 6 AURES M 6 EU	AURES M 7 EU AURES M 7 EG	AURES M 7.7 AURES SM2 7.7 EU	AURES M 7 SASO KSA	AURES M 8
Puissance (kW)	5-6	6-7.1	7-8.3	7.7-9.1	7.75	8-9.5
Tension électrique (V)	220-240	220-240	220-240	220-240	220-240	220-240
Phases	Mono					
Installation	Multi point					
Construction	Sortie fermée					
Fréquence (Hz)	50/60					
Intensité (A)	25	29.6	34.6	37.9	33.7	39.6
Schéma électrique	I	II	II	I	II	II
Indice de protection contre l'eau	IP25					
Raccordement des tuyaux	1/2" BSP					
Débit d'eau mini (l/min)	2.1					
Qelec (kWh)	2.119	2.119	2.224	--	--	--
Pression d'eau maxi	800 kPa (8 bar)					
Profil de charge	XXS	XXS	XS	--	--	--
Lwa (dB)	15					
$\eta_{wh}$	40%	40%	38%	--	--	--
Volume nominal (l)	0,45					
Poids (kg)	2					
Dimensions (mm)	304 x 180 x 110					

Les données relatives à la consommation électrique dans le tableau et d'autres informations données par la Fiche technique du produit (annexe A à la présente notice) sont définies conformément aux Directives de l'Union européenne 812/2013 et 814/2013.

Les produits sans étiquette et la fiche technique pour les chauffe-eau et les appareils solaires, stipulés dans le règlement 812/2013, ne sont pas destinés à être utilisés dans ces assemblages.

Le thermostat des produits équipés d'un bouton de réglage est réglé en position Prêt à l'emploi, indiquée dans la fiche technique (annexe A), conformément à laquelle la classe d'énergie pertinente a été déclarée par le fabricant.

**Le produit doit être connecté uniquement à une alimentation dont l'impédance n'est pas supérieure à 0,237 ohms.**

**Des restrictions de branchement peuvent être imposées par l'organe chargé de l'alimentation pour l'utilisation d'équipements dont l'impédance réelle pertinente au point d'interface dans les locaux de l'utilisateur est supérieure à 0,237 ohms.**

**L'appareil est conforme aux normes internationales de sécurité électrique IEC 60335-1 et IEC 60335-2-35. Quand elle est présente, la marque CE sur les appareils atteste de leur conformité aux directives CE suivantes, dont ils remplissent les critères requis :**

- Directive basse tension (DBT) : EN 60335-1, EN 60335-2-35, EN 60529, EN 62233, EN 50106.

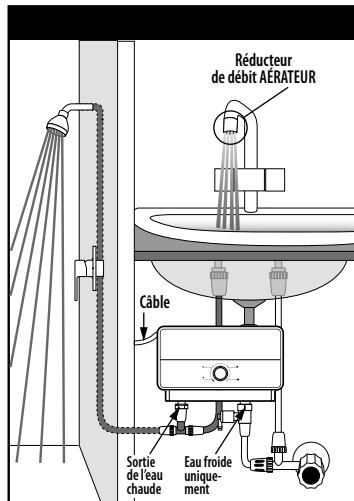
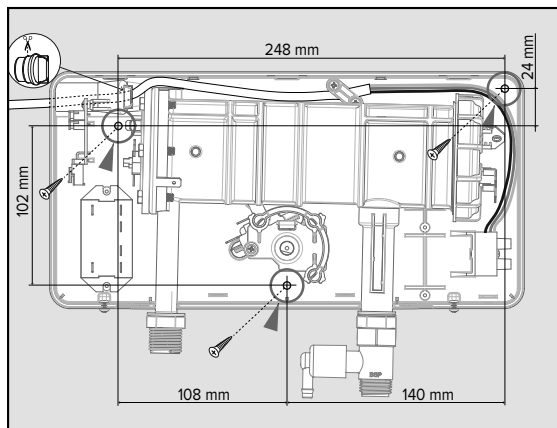
- Compatibilité électromagnétique (CEM) : EN 55014-1, EN 55014-2, EN 61000-3-2, EN 61000-3-3, EN 61000-3-11 et EN 61000-3-12.

- Produits liés à l'énergie (PLE) : Eu812, Eu814, EN50193-1-2013

## Instructions d'installation:

L'installation et la mise en service initiale de l'appareil doivent être réalisées par un technicien qualifié, conformément aux règlements en vigueur et aux réglementations locales sur l'hygiène et la sécurité.

1. Avant de réaliser des opérations quelconques, couper l'alimentation secteur de l'appareil avec le commutateur externe
2. Dévisser les deux vis situées en bas de l'appareil et retirer le capot de la base.
3. Monter la base à l'horizontale contre un mur ou sur la paroi d'un placard. Les tuyaux d'entrée et de sortie d'eau se trouvent en dessous de l'appareil. Utiliser les 3 vis de fixation fournies



### 4. Utiliser le filtre à eau fourni sur le tuyau d'arrivée d'eau (voir le schéma)

5. Brancher l'arrivée d'eau (eau froide seulement) sur le tuyau d'arrivée d'eau situé en dessous, à droite, et la sortie d'eau sur le tuyau de sortie d'eau, situé en dessous, à gauche. Ouvrir le robinet d'alimentation en eau et vérifier que l'appareil ne fuit pas.
6. Utiliser un commutateur bipolaire conforme à la législation nationale en vigueur (distance entre les contacts de 3 mm au minimum, de préférence équipé de fusibles) pour couper l'alimentation électrique de l'appareil.
7. Brancher le câble d'alimentation à l'appareil. L'appareil doit être relié à la terre et le câble de mise à la terre est fixé sur la borne marquée du symbole  $\oplus$ .
8. Mettre l'appareil en service et vérifier qu'il fonctionne correctement.
9. Remonter le capot sur la base au moyen des 2 vis.
10. Il faut intégrer un disjoncteur de fuite à la terre dans le circuit.

### 11. Veiller à installer correctement la soupape de sécurité (fournie avec le produit) avant le tuyau d'entrée

### 12. Il faut installer un réducteur de débit (AÉRATEUR) sur le lavabo ou la douche.

### 13. AVERTISSEMENT : L'APPAREIL DOIT ÊTRE CORRECTEMENT CONNECTÉ À LA TERRE

### 14. CE CHAUFFE-EAU DOIT ÊTRE ÉQUIPÉ D'UN CIRCUIT INDÉPENDANT AVEC UN FIL ET UN COUPE-CIRCUIT D'UN CALIBRE ADAPTÉS. VOIR LE TABLEAU DES CÂBLES RECOMMANDÉS

**AVERTISSEMENT :** si le câble d'alimentation est endommagé, il doit être remplacé par le fabricant, son agent en charge de l'entretien ou des personnes qualifiées pour ne prendre aucun risque.

## NOTICE D'EMPLOI

1. Votre nouveau chauffe-eau instantané est maintenant alimenté en eau. Le bouton de réglage permet d'utiliser l'un des 3 modes de puissance (I, II, III). Le produit est en service et le robinet d'eau chaude est ouvert. L'élément chauffant se met en service pour chauffer l'eau uniquement en présence d'un débit d'eau dans l'appareil. Il faudra régler l'appareil afin d'obtenir un débit minimum de 2,1 litres, permettant d'activer le système de chauffe instantanée. Faire couler l'eau dans le chauffe-eau pendant quelques minutes.
2. Veiller à nettoyer la douchette régulièrement afin d'éliminer les dépôts et obtenir un débit d'eau régulier.
3. Veiller à nettoyer régulièrement le filtre d'arrivée d'eau.
4. Veiller à installer le chauffe-eau instantané dans un local chauffé. Il ne faut pas installer l'appareil dans des locaux où la température pourrait descendre à un niveau critique et où le gel est possible.
5. L'utilisateur doit régler la température de l'eau chaude en réglant la puissance de l'appareil. L'utilisateur dispose de 4 réglages de puissance :
  - O (Alimentation) : l'élément chauffant est désactivé.
  - I (bas) : seul le premier élément chauffant est activé.
  - II (moyen) : seul le deuxième élément chauffant est activé.
  - III (haut) : le premier et le deuxième éléments chauffants sont activés et fonctionnent ensemble.

## CONDITIONS D'INSTALLATION

A. Il faut un branchement électrique individuel.

B. L'appareil doit être connecté à un disjoncteur distinct.

C. Le câble électrique recommandé pour alimenter l'appareil doit être utilisé, voir tableau I (page suivante).

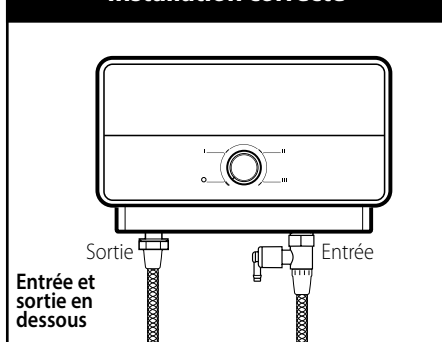
## INSTALLATION

Voir les schémas électriques à la fin du manuel.

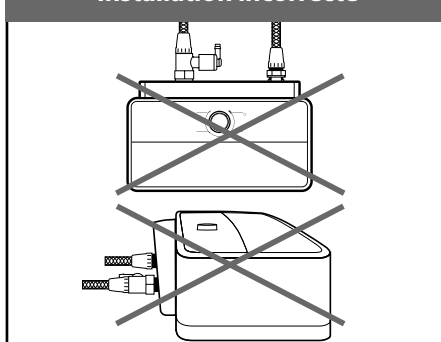
### AVERTISSEMENT !

**AVANT D'ENTAMER DES TRAVAUX QUELCONQUES SUR L'INSTALLATION ÉLECTRIQUE, S'ASSURER QUE LE DISJONCTEUR EST EN POSITION « OFF » (ARRÊT) POUR ÉVITER TOUT RISQUE D'ÉLECTROCUTION**

#### Installation correcte



#### Installation incorrecte



### MISE EN GARDE

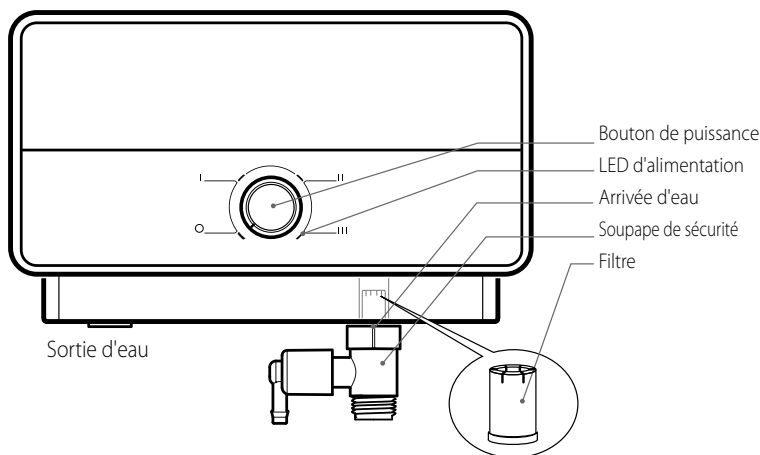
L'eau en entrée ne doit pas provenir d'un autre système de chauffage.

## Tableau I : Câble recommandé

Puissance	kW Charge	Réglage du chauffage	Taille de câble recommandée	Fusible de protection recommandé
	220-240V			
AURES M 5 EU	5-6	3.0+2.0 kW	H05VV-F 3x4 mm <sup>2</sup>	32 A
AURES M 6 AURES M 6 EU	6-7.1	3.5+2.5 kW	H05VV-F 3x4 mm <sup>2</sup>	32 A
AURES M 7 EU AURES M 7 EG	7-8.3	3.7+3.3 kW	H05VV-F 3x6 mm <sup>2</sup>	40 A
AURES M 7.7 AURES SM2 7.7 EU	7.7-9.1	4.4+3.3 kW	H05VV-F 3x6 mm <sup>2</sup>	40 A
AURES M 7 SASO KSA	7.75	4.4+3.3 kW	H05VV-F 3x6 mm <sup>2</sup>	40 A
AURES M 8	8-9.5	4.0+4.0 kW	H05VV-F 3x6 mm <sup>2</sup>	40 A

• Pression de service de l'eau 50-800 kPa (0,5-8 bar) • Commutateur de pression de service de l'eau  
• Raccord d'entrée standard à sertir de Ø 1/2 pouce • Entrée du câble en haut à gauche • Arrivée d'eau en bas à droite

**UNIT DIMENSIONS: HEIGHT 180mm WIDTH 304mm DEPTH 110mm**



### Ce produit est conforme à la directive WEEE 2012/19/EU.

Le symbole de la poubelle barrée sur l'appareil indique qu'à la fin de sa vie de service, le produit doit être mis au rebut séparément du reste des ordures ménagères, il doit être mis au rebut dans un centre d'élimination des déchets équipé des installations dédiées pour les appareils électriques et électroniques ou retourné au détaillant en cas d'achat d'un nouveau produit de remplacement. L'utilisateur est responsable de la mise au rebut du produit à la fin de sa vie dans un centre approprié d'élimination des déchets. Le centre d'élimination des déchets (qui met en œuvre des processus spéciaux de traitement et de recyclage pour démonter et mettre au rebut l'appareil), contribue à protéger l'environnement en recyclant le matériau à partir duquel le produit est fabriqué. Pour en savoir plus sur les systèmes d'élimination des déchets, se rendre dans un centre d'élimination des déchets local ou chez le détaillant où le produit a été acheté.

## Dépannage




SYMPTÔME	CAUSE POSSIBLE	SOLUTION
L'eau n'est pas assez chaude	Débit d'eau trop élevé dans le chauffe-eau  Réduction de la température ambiante  Pression d'eau inférieure à 100 kPa  Panne électrique	Réduire le débit d'eau au moyen du robinet de sortie.  Régler à une température supérieure.  Vérifier que la vanne d'arrêt est entièrement ouverte et que rien ne restreint la conduite d'alimentation.  Faire contrôler le chauffe-eau par un électricien qualifié ou contacter votre distributeur agréé local.
L'eau est trop chaude	Débit d'eau trop faible dans le chauffe-eau  Augmentation de la température ambiante	Augmenter le débit d'eau au moyen du robinet de sortie  Régler à une température inférieure
Le chauffe-eau s'arrête pendant qu'il est en service	Coupure d'alimentation électrique  Déclenchement du disjoncteur différentiel, possibilité de courant de fuite à la terre	Vérifier l'alimentation électrique, le disjoncteur, les commutateurs et le câblage de l'alimentation. Vérifier le courant de fuite à la terre et réinitialiser le disjoncteur différentiel  Si le problème persiste, appeler un distributeur agréé local pour lui demander son assistance.
Absence totale de débit d'eau	Douchette bloquée, flexible de douche tordu ou bloqué.  Aucune alimentation d'eau.	Nettoyer ou remplacer la douchette, vérifier que l'eau s'écoule librement dans le flexible. Remplacer si nécessaire.  Vérifier l'alimentation en eau, que le robinet d'arrêt est ouvert et qu'il n'y a pas de blocage.
Fluctuation de la température du chaud au froid pendant l'utilisation	La pression de l'eau est tombée sous le niveau mini.	Augmenter le débit d'eau chaude
Absence d'eau chaude malgré que le robinet d'eau chaude soit entièrement ouvert	Aucune alimentation électrique  Le débit d'activation nécessaire pour actionner l'élément chauffant n'a pas été atteint.	Vérifier le coupe-circuit et vérifier la tension au bornier.  Nettoyer le filtre <ul style="list-style-type: none"> <li>• Désactiver le coupe-circuit</li> <li>• Ouvrir le robinet d'eau chaude pour évacuer la pression de l'appareil.</li> <li>• Enclencher le coupe-circuit.</li> </ul>

## INSTRUCCIONES GENERALES DE SEGURIDAD

### ¡ADVERTENCIA!

1. Este manual es parte integral del aparato. Consérvelo cuidadosamente junto con el aparato y entréguelo al siguiente usuario/propietario en caso de cambio de propiedad.
2. Lea detenidamente las instrucciones y advertencias presentes en este manual, contienen información importante a cerca de la instalación, uso y mantenimiento seguros.
3. El aparato debe ser instalado y puesto en funcionamiento por un técnico cualificado de acuerdo con la legislación local en materia de seguridad y salud. Todos los circuitos eléctricos deben apagarse antes de abrir el bloque del terminal.
4. **NO utilizar** el aparato para otro uso que no sea el especificado. El fabricante no se hace responsable de los daños que deriven de un uso indebido o incorrecto o del incumplimiento de las instrucciones presentes en este manual.
5. Una instalación incorrecta puede ocasionar daños a la propiedad y lesiones a personas y animales; el fabricante no se hace responsable de las consecuencias.
6. **NO dejar** el material del embalaje (grapapas, bolsas de plástico, espuma de poliestireno, etc.) al alcance de los niños; puede causar lesiones graves.
7. **Este aparato puede ser utilizado por niños de al menos 3 años de edad y por personas con capacidades físicas, sensoriales o mentales reducidas, o carentes de experiencia y conocimiento, siempre que lo hagan bajo vigilancia, siguiendo las instrucciones para el uso seguro del aparato y tras haber comprendido los riesgos implicados. NO permitir que los niños jueguen con el aparato. Los niños no deben realizar tareas de limpieza y mantenimiento sin supervisión.**
8. Reparaciones, tareas de mantenimiento, fontanería y conexión eléctrica deben ser realizadas por técnicos cualificados que utilicen únicamente recambios originales. El incumplimiento de estas instrucciones puede comprometer la seguridad del aparato y exime al fabricante de toda responsabilidad por las consecuencias.
9. La temperatura del agua caliente se regula con un termostato que actúa como dispositivo de seguridad en el caso de temperaturas elevadas que podrían resultar peligrosas.
10. La conexión eléctrica debe realizarse tal y como se indica en este manual.
11. Si el aparato se suministra con un cable de alimentación, éste solo debe ser sustituido por un centro de servicio autorizado o un técnico profesional.
12. Asegúrese de eliminar completamente el agua presente en el interior del aparato cuando esté fuera de servicio o en un área sujeta a temperaturas bajo cero.
13. No dejar materiales inflamables en contacto con o cerca del aparato.
14. **Está prohibido** tocar el equipo estando descalzo o con partes del cuerpo mojadas.
15. Antes de utilizar el aparato y tras una intervención de mantenimiento ordinario o extraordinario, es conveniente llenar con agua el depósito del aparato y, después, vaciarlo por completo, a fin de eliminar las impurezas residuales.
16. Evite situarse debajo del aparato y colocar cualquier objeto que pueda, por ejemplo, estropearse debido a una pérdida de agua.



Símbolo	Significado
	El incumplimiento de esta advertencia, puede ser fatal en algunas circunstancias
	El incumplimiento de esta advertencia puede implicar puede ocasionar daños o lesiones, incluso a las cosas, plantas y animales
	Cumplir con las instrucciones de seguridad generales y específicas del producto.

## NORMAS GENERALES DE SEGURIDAD

Ref.	Advertencia	Riesgo	Símbolo
1.	NO abrir el aparato o desinstalarlo	Riesgo de electrocución debido a la presencia de componentes eléctricos. Lesiones a personas: los componentes pueden causar quemaduras y los bordes afilados pueden causar heridas.	
2.	No encender o apagar el aparato sin introducir/quitar el enchufe	Riesgo de electrocución a causa del cable de alimentación, su enchufe o la toma de corriente	
3.	No dañar el cable de alimentación.	Riesgo de electrocución a causa de la presencia de hilos sin protección	
4.	No dejar ningún objeto encima del aparato	Lesiones por caída de objetos desde el aparato como resultado de la vibración	
		Daño del aparato o alrededor a causa de objetos que se caen del aparato como resultado de la vibración	
5.	No subirse al aparato	Lesiones por caída del aparato	
		Daño del aparato o alrededor a causa de la separación de partes de la estructura del aparato	
6.	No limpiar el aparato sin haberlo apagado antes, desconectado de la corriente o haber apagado el interruptor	Riesgo de electrocución a causa de la presencia de componentes eléctricos	
7.	Instalar el aparato sobre una pared sólida que no esté sujeta a vibraciones	Peligro de que el aparato se caiga de la pared debido a un colapso estructural o funcionamiento ruidoso	
8.	Hacer la conexión eléctrica con cables de sección adecuada	Peligro de incendio debido al sobrecalentamiento de los cables eléctricos de tamaño insuficiente	
9.	Restablecer todas las funciones de seguridad y control tras el funcionamiento del aparato y comprobar que funcionen correctamente antes de volver a utilizar el aparato	Daño o bloqueo del aparato a causa de un control indebido	
10.	Eliminar el agua del interior de los componentes que contengan agua caliente, usando llaves de purga, antes de manipular el aparato	Peligro de quemaduras	
11.	Descalcificar el sistema tal y como se indica en la "ficha de seguridad"; al hacerlo, ventilar la habitación, usar ropa de seguridad, asegurarse de no mezclar productos y proteger el electrodoméstico y los objetos de alrededor	Lesiones por contacto de la piel o de los ojos, inhalación o ingestión de sustancias químicas	
		Daño del aparato u objetos alrededor debido a corrosión causada por sustancias ácidas	
12.	No utilizar insecticidas, solventes ni detergentes agresivos para limpiar el aparato	Daño a las partes plásticas o pintadas	

## CARACTERÍSTICAS TÉCNICAS

Para las especificaciones técnicas, consulte la placa de identificación que se encuentra en el lado derecho del calentador de agua.

INFORMACIÓN DEL PRODUCTO						
Modelo	AURES M 5 EU	AURES M 6 AURES M 6 EU	AURES M 7 EU AURES M 7 EG	AURES M 7.7 AURES SM2 7.7 EU	AURES M 7 SASO KSA	AURES M 8
Potencia (kW)	5-6	6-7.1	7-8.3	7.7-9.1	7.75	8-9.5
Tensión (V)	220-240	220-240	220-240	220-240	220-240	220-240
Fases	Mono					
Instalación	Multipoint					
Fabricación	Salida cerrada					
Frecuencia (Hz)	50/60					
Corriente eléctrica (A)	25	29.6	34.6	37.9	33.7	39.6
Esquema eléctrico	I	II	II	I	II	II
Protección del agua	IP25					
Conexión del tubo	1/2" BSP					
Caudal mínimo del agua (l/min)	2.1					
Qelec (kWh)	2.119	2.119	2.224	--	--	--
Presión máxima del agua	800 kPa (8 bar)					
Load profile	XXS	XXS	XS	--	--	--
Lwa (dB)	15					
$\eta_{wh}$	40%	40%	38%	--	--	--
Volumen Nominal (l)	0,45					
Peso (kg)	2					
Dimensiones (mm)	304 x 180 x 110					

Los datos de consumo de energía en la tabla y otra información dada en la Hoja de datos del producto (Anexo A de este manual) se definen en relación con las Directivas de la UE 812/2013 y 814/2013.

Los productos sin la etiqueta y la hoja de datos para calentadores de agua y dispositivos solares, estipulados en la regulación 812/2013, no están destinados para ser utilizados en dichos conjuntos.

Los productos equipados con un botón regulador tienen el termostato posicionado en la configuración <listo para usar según se indica en la Hoja de datos (Anexo A) y según la cual el fabricante ha declarado la clase de energía pertinente.

**El producto debe conectarse solo a un suministro con un sistema de impedancia relevante de no más de 0,237 ohmios.**

**Las restricciones a la conexión pueden ser impuestas por la autoridad de suministro en relación con el uso del equipo en la impedancia real del sistema relevante en el punto de interfaz en el que la premisa del usuario excede los 0,237 ohmios.**

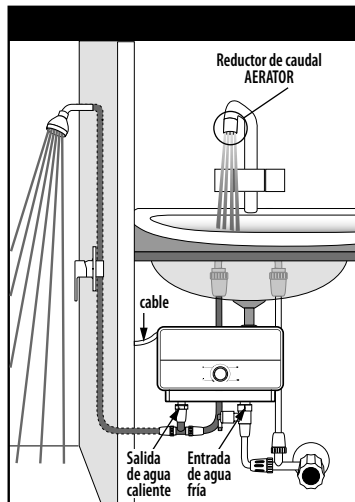
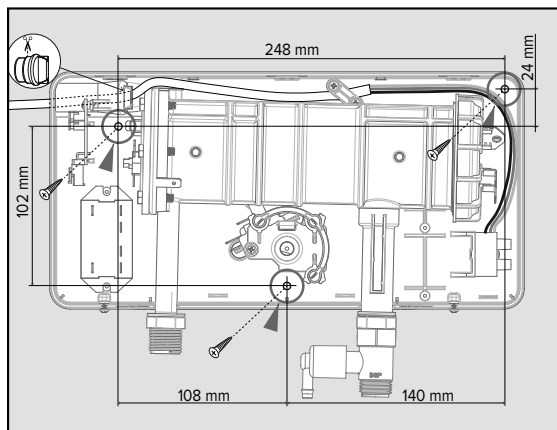
**Este aparato cumple con los estándares internacionales de seguridad eléctrica IEC 60335-1 y IEC 60335-2-35. Cuando está presente, la marca CE en los aparatos certifica su conformidad con las siguientes Directivas CE, de las cuales cumple con los requisitos esenciales:**

- Directiva de baja tensión LVD: EN 60335-1, EN 60335-2-35, EN 60529, EN 62233, EN 50106.
- Compatibilidad Electromagnética EMC: EN 55014-1, EN 55014-2, EN 61000-3-2, EN 61000-3-3, EN 61000-3-11 y EN 61000-3-12.
- Productos relacionados con la energía ERP: Eu812, Eu814, EN50193-1-2013

## INSTRUCCIONES PARA LA INSTALACIÓN

El aparato debe ser instalado y puesto en funcionamiento por un técnico cualificado de acuerdo con la legislación local en materia de seguridad y salud.

1. Antes de realizar cualquier operación, desconectar el aparato de la red eléctrica usando el interruptor externo.
2. Aflojar los dos tornillos situados en la parte inferior del aparato y retirar la tapa de la base.
3. Fijar la base horizontalmente en la pared o a un lado del cuarto de baño, las tuberías de entrada y salida del agua deben colocarse en la parte inferior del aparato. Usar los 3 tornillos de montaje que se suministran con el aparato.



4. **Usar el filtro del agua que se suministra junto con la tubería de entrada del agua (ver diagrama)**
5. Conectar la línea de agua entrante (solo fría) a la tubería de entrada de agua en la parte inferior derecha y la línea de salida de agua a la tubería de salida de agua en la parte inferior izquierda. Abrir los grifos de suministro de agua y comprobar que no haya fugas en el aparato.
6. Utilizar un interruptor bipolar conforme a las leyes nacionales vigentes (distancia entre los contactos de al menos 3 mm, preferiblemente equipado con fusibles) para desconectar la alimentación eléctrica del aparato.
7. Conectar la alimentación eléctrica al aparato. El aparato se debe conectar a tierra y el cable de tierra se debe fijar en el terminal marcado por el símbolo
8. Encender el aparato y comprobar que funcione correctamente.
9. Volver a montar la tapa con los 2 tornillos.
10. Es necesario incorporar un interruptor de circuito de tierra accidental/interruptor diferencial de tierra en el circuito.
11. **Asegúrese de instalar de manera correcta la válvula de escape de presión (suministrada con el producto) antes de la tubería de entrada**
12. **Es necesario instalar un reductor de control de flujo (AERATOR) en el lavabó o en la ducha.**
13. **ADVERTENCIA: EL APARATO DEBE ESTAR CONECTADO A TIERRA CORRECTAMENTE**
14. **ESTE CALENTADOR DEBE TENER SU PROPIO CIRCUITO INDEPENDIENTE UTILIZANDO UN INTERRUPTOR DE CIRCUITO REGULADO CORRECTAMENTE Y UN CABLE ADECUADO, VEA EL CABLE RECOMENDADO EN LA TABLA.**

**ADVERTENCIA:** Si el cable de alimentación está dañado, debe ser reemplazado por el fabricante o por un agente de la asistencia técnica o por una persona calificada para tal fin, para evitar peligros.

## INSTRUCCIONES PARA EL USO

1. El calentador de agua instantáneo está en funcionamiento. Regular el botón en una de las 3 posiciones (I, II, III), encender el aparato y abrir el grifo del agua caliente. El aparato se pondrá en marcha y calentará el agua únicamente cuando ésta fluya. Deberá dejar fluir al menos 2.1 litros por minuto para activar el sistema de calefacción instantánea. Dejar correr el agua a través del calentador durante algunos minutos.
2. Asegúrese de limpiar a menudo el filtro del grifo para eliminar los sedimentos y permitir que el agua fluya correctamente.
3. Asegúrese de limpiar a menudo el filtro de la entrada del agua.
4. Asegúrese de instalar el calentador de agua en un lugar climatizado. No instalar el aparato en áreas donde la temperatura pueda disminuir drásticamente y donde pueda haber riesgos de formación de hielo.
5. El usuario puede regular la temperatura del agua caliente a través de los ajustes del aparato y elegir hasta 4 posiciones distintas:
  - O - El calentador está apagado
  - I - Solamente está encendido el primer calentador.
  - II - Solamente está encendido el segundo calentador.
  - III - Los calentadores uno y dos están encendidos..

## REQUISITOS PARA LA INSTALACIÓN

- A. Se requiere una línea eléctrica separada.
- B. El dispositivo debe estar conectado a un interruptor diferencial separado.
- C. Consulte la tabla I para ver el cable eléctrico recomendado para alimentar el dispositivo (en la página siguiente).

## INSTALACIÓN

Ver los diagramas eléctricos al final del folleto.

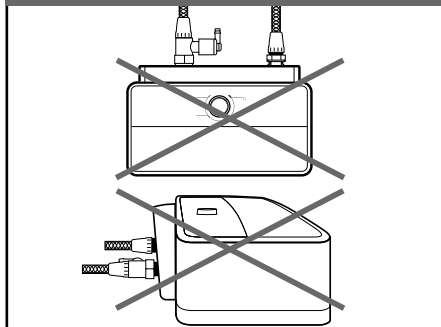
### ¡ADVERTENCIA!

ANTES DE REALIZAR CUALQUIER TAREA EN LA INSTALACIÓN ELÉCTRICA, ASEGÚRESE DE QUE EL INTERRUPTOR DIFERENCIAL ESTÉ EN LA POSICIÓN DE "OFF" (APAGADO) PARA EVITAR DESCARGAS ELÉCTRICAS

#### Instalación correcta



#### Instalación incorrecta



### ATENCIÓN

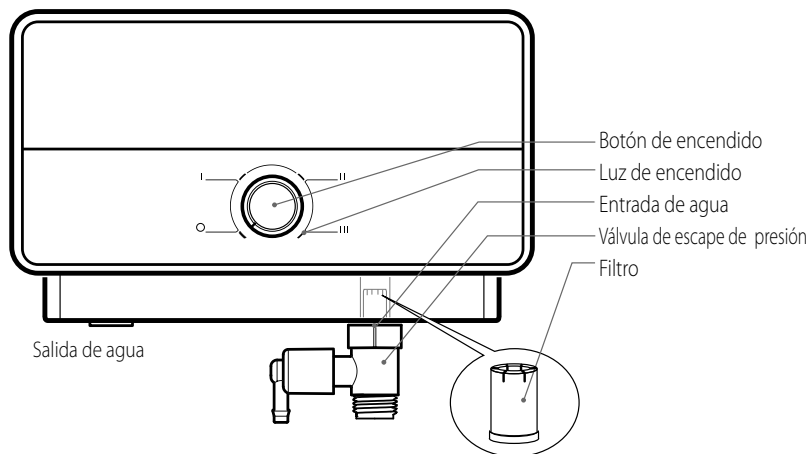
La entrada del agua de este aparato no se debe conectar a otros sistemas de calentamiento de agua.

**Tabla I: Cable recomendado**

Potencia	Carga kW	Ajustes de calentamiento	Medida del cable recomendada	Capacidad de los fusibles recomendada
	220-240V			
AURES M 5 EU	5-6	3.0+2.0 kW	H05VV-F 3x4 mm <sup>2</sup>	32 A
AURES M 6 AURES M 6 EU	6-7.1	3.5+2.5 kW	H05VV-F 3x4 mm <sup>2</sup>	32 A
AURES M 7 EU AURES M 7 EG	7-8.3	3.7+3.3 kW	H05VV-F 3x6 mm <sup>2</sup>	40 A
AURES M 7.7 AURES SM2 7.7 EU	7.7-9.1	4.4+3.3 kW	H05VV-F 3x6 mm <sup>2</sup>	40 A
AURES M 7 SASO KSA	7.75	4.4+3.3 kW	H05VV-F 3x6 mm <sup>2</sup>	40 A
AURES M 8	8-9.5	4.0+4.0 kW	H05VV-F 3x6 mm <sup>2</sup>	40 A

• Presión de funcionamiento del agua 50-800 kPa (0.5-8 bar) • Interruptor de encendido para la presión de funcionamiento del agua • Conexión de comprensión de entrada estándar 1/2"Ø • Entrada para el cable arriba a la izquierda • Entrada del agua abajo a la derecha

**MEDIDAS: ALTURA 180mm ANCHURA H 304mm PROFUNDIDAD 110mm**



### Este producto cumple con la Directiva WEEE 2012/19/UE.




El símbolo de cubo de basura con una cruz que aparece en el aparato indica que, al final de su vida útil, el producto debe eliminarse a parte de la basura doméstica normal, llevándolo a un punto para el tratamiento de residuos con instalaciones especializadas para aparatos eléctricos y electrónicos, o entregándolo al punto de venta cuando se compra un nuevo producto que sustituya el actual. El usuario es responsable de desechar el producto al final de su vida útil en un punto para el tratamiento de residuos especializado y adecuado. El punto para el tratamiento de residuos (que mediante procesos especiales de tratamiento y reciclaje desmonta y elimina eficazmente el aparato) contribuye a la protección del medio ambiente reciclando los materiales con los que ha sido fabricado el producto. Para obtener más información acerca de los sistemas de eliminación de residuos, visite el punto para el tratamiento de residuos más cercano o el minorista donde compró el producto.

## Solución de problemas

PROBLEMA	POSIBLES CAUSAS	SOLUCIÓN
El agua no está suficientemente caliente	<p>Entra demasiado caudal de agua en el calentador</p> <p>Descenso de la temperatura ambiental</p> <p>Presión del agua inferior a 100 kPa</p> <p>Mal funcionamiento eléctrico</p>	<p>Reducir el caudal del agua mediante el grifo del agua.</p> <p>Ajuste una temperatura del agua más alta.</p> <p>Compruebe si la válvula de cierre principal está completamente abierta y si no hay otra restricción en la línea de suministro.</p> <p>Pida a un electricista cualificado que revise el calentador o póngase en contacto con su distribuidor autorizado local.</p>
El agua está demasiado caliente	<p>No entra suficiente caudal de agua en el calentador</p> <p>Aumento de la temperatura ambiental</p>	<p>Aumente el caudal del agua mediante el grifo del agua</p> <p>Ajuste una temperatura del agua más baja</p>
El calentador se apaga durante el funcionamiento	<p>La alimentación eléctrica se ha interrumpido</p> <p>Possible fuga de corriente a tierra, ELSD</p>	<p>Compruebe el suministro de corriente entrante, los interruptores MCB y el cableado de suministro. Comprobar la corriente de tierra y restablecer ELSD</p> <p>Si el problema persiste, póngase en contacto con un distribuidor autorizado y solicite asistencia.</p>
No sale agua	<p>La alcachofa está obturada, el tubo flexible de la ducha está doblado o enrollado.</p> <p>No hay suministro de agua.</p>	<p>Limpie o sustituya la alcachofa, compruebe que el agua fluye correctamente por el tubo. Cámbielo si fuera necesario.</p> <p>Compruebe el suministro del agua, que la válvula no esté cerrada o bloqueada.</p>
La temperatura del agua varía de fría a caliente durante el uso	La presión del agua ha descendido hasta el nivel mínimo.	Aumentar el suministro de agua caliente.
No sale agua caliente a pesar de que el grifo está abierto al máximo en esa posición	<p>No hay corriente eléctrica</p> <p>La velocidad de flujo de activación necesaria para encender el elemento de calentamiento no se ha alcanzado.</p>	<p>Comprobar el interruptor y la tensión en el cuadro de cables.</p> <p>Limpiar la pantalla del filtro</p> <ul style="list-style-type: none"> <li>• Apagar el interruptor</li> <li>• Abrir la válvula para vaciar la presión del aparato.</li> <li>• Encender el interruptor.</li> </ul>

## INSTRUÇÕES GERAIS DE SEGURANÇA CUIDADO!

1. O presente manual é parte integrante do produto. Guarde-o cuidadosamente junto do aparelho e entregue-o ao utilizador/proprietário seguinte em caso de mudança de propriedade.
2. Leia com atenção as instruções e os avisos presentes neste manual, pois contêm informações importantes sobre a instalação, utilização e manutenção segura do produto.
3. O aparelho deve ser instalado e colocado em funcionamento por um técnico qualificado em conformidade com a legislação local e os regulamentos em matéria de saúde e segurança. Devem ser desligados todos os circuitos de potência antes de abrir o bloco de terminais.
4. **NÃO utilize** o aparelho para qualquer outro fim diferente do especificado. O fabricante não se responsabiliza por danos resultantes de um uso indevido ou incorreto ou da não observância das instruções do presente manual.
5. A instalação incorreta pode causar danos materiais e lesões em pessoas e animais. O fabricante não se responsabiliza por quaisquer consequências.
6. **NÃO deixe** os materiais da embalagem (agrafos, sacos de plástico, poliestireno expandido, etc.) ao alcance das crianças, pois podem causar lesões graves.
7. **Este aparelho pode ser utilizado por crianças com idade igual ou superior a 3 anos e por pessoas com capacidades físicas, sensoriais e mentais reduzidas ou falta de experiência e conhecimento se lhes tiver sido dada supervisão ou instrução relativas ao uso do aparelho de forma segura e se compreenderem os riscos envolvidos. NÃO deixe que as crianças brinquem com o aparelho. A limpeza e a manutenção não podem ser efetuadas por crianças sem supervisão.**
8. Todas as reparações, trabalhos de manutenção, trabalhos de canalizações e ligações elétricas devem ser efetuados por técnicos qualificados utilizando apenas peças de substituição originais. A não observância das instruções acima pode comprometer a segurança do aparelho e isenta o fabricante de qualquer responsabilidade pelas consequências.
9. A temperatura da água quente é regulada por um termóstato que também atua como um dispositivo de segurança para evitar um sobreaquecimento perigoso.
10. As ligações elétricas devem ser efetuadas conforme indicado no presente manual.
11. Se o aparelho estiver equipado com um cabo de alimentação, este só pode ser substituído por um centro de assistência autorizado ou por um técnico profissional.
12. Se o aparelho estiver inativo ou numa zona sujeita a temperaturas negativas, certifique-se de que efetua a drenagem do mesmo.
13. Não deixe materiais inflamáveis em contacto com aparelho ou nas suas proximidades.
14. **É proibido** tocar o aparelho se estiver com pés descalços ou com partes do corpo molhadas.
15. Antes de utilizar o aparelho e depois de uma intervenção de manutenção ordinária ou extraordinária, convém encher com água o reservatório do aparelho e, em seguida, fazer uma operação de completo esvaziamento a fim de remover eventuais impurezas residuais.
16. Não colocar em baixo do aparelho nem aproximar dele qualquer objeto que possa, por exemplo, ser danificado por uma eventual fuga de água.

Símbolo	Significado
	A não observância deste aviso pode causar lesões, podendo mesmo ser fatais em determinadas circunstâncias.
	A não observância deste aviso pode causar danos ou lesões, incluindo em objetos, plantas e animais.
	Siga as instruções gerais e específicas do produto em matéria de segurança.

## NORMAS GERAIS DE SEGURANÇA

Ref. <sup>a</sup>	Aviso	Risco	Símbolo
1.	Não abra o aparelho nem o remova do seu local de instalação	Perigo de eletrocussão devido à presença de equipamento elétrico sob tensão. Lesões pessoais - queimaduras por sobreaquecimento causadas por componentes e ferimentos causados por arestas vivas.	
2.	Não ligue nem desligue o aparelho inserindo/puxando o cabo de alimentação	Perigo de eletrocussão devido a danos no cabo de alimentação, na ficha ou na tomada.	
3.	Não danifique o cabo de alimentação	Perigo de eletrocussão devido a fios descarnados sob tensão.	
4.	Não deixe objetos no aparelho	Lesões pessoais devido a queda de objetos do aparelho causada por vibrações.	
		Danos no aparelho ou noutros objetos devido a queda de objetos do aparelho causada por vibrações.	
5.	Não suba para o aparelho	Lesões pessoais devido a queda do aparelho.	
		Danos no aparelho ou noutros objetos causados pela separação do aparelho do respetivo suporte de montagem.	
6.	Não limpe o aparelho sem o ter desligado primeiro, sem retirar a ficha elétrica da tomada ou sem desligar o interruptor de alimentação.	Perigo de eletrocussão devido à presença de equipamento elétrico sob tensão.	
7.	Instale o aparelho numa parede sólida que não esteja sujeita a vibrações	Perigo de queda do aparelho da parede devido ao colapso da estrutura ou funcionamento ruidoso.	
8.	Efetue as ligações elétricas com cabos com secção transversal adequada	Perigo de incêndio por sobreaquecimento de fios elétricos subdimensionados.	
9.	Restabeleça todas as funções de segurança e controlo após a conclusão dos trabalhos no aparelho e certifique-se de que estão funcionais antes de as reativar	Danos ou bloqueio do aparelho devido a um controlo incorreto.	
10.	Drene todos os componentes com água quente, utilizando as válvulas de purga, antes de os manusear	Perigo de queimaduras.	
11.	Efetue a descalcificação do aparelho conforme indicado na "ficha de segurança" dos produtos; quando o fizer, ventile a divisão, use vestuário de proteção, certifique-se de que não mistura produtos e proteja o próprio aparelho e todos os objetos adjacentes	Lesões pessoais devido a contacto da pele e dos olhos com químicos nocivos ou a adição, inalação ou ingestão de químicos nocivos.	
		Danos no aparelho e nos objetos adjacentes devido a corrosão por ácido.	
12.	Não utilize inseticidas, solventes nem detergentes agressivos para limpar o aparelho	Danos nas estruturas e peças de plástico e pintadas.	



## CARACTERÍSTICAS TÉCNICAS

Para obter as especificações técnicas, consulte a placa de identificação (a placa de identificação encontra-se do lado direito do aquecedor de água).

INFORMAÇÕES SOBRE O PRODUTO						
Modelo	AURES M 5 EU	AURES M 6 AURES M 6 EU	AURES M 7 EU AURES M 7 EG	AURES M 7.7 AURES SMZ 7.7 EU	AURES M 7 SASO KSA	AURES M 8
Potência (kW)	5-6	6-7.1	7-8.3	7.7-9.1	7.75	8-9.5
Tensão (V)	220-240	220-240	220-240	220-240	220-240	220-240
Fases	Mono					
Instalação	Multipoint					
Construções	Saída fechada					
Frequência (Hz)	50/60					
Corrente elétrica (A)	25	29.6	34.6	37.9	33.7	39.6
Esquema elétrico	I	II	II	I	II	II
Proteção contra água	IP25					
Ligação de tubo	1/2" BSP					
Mínimo, débito de água (l/min)	2.1					
Qeiec (kWh)	2.119	2.119	2.224	--	--	--
Pressão máxima de água	800 kPa (8 bar)					
Perfil de carga	XXS	XXS	XS	--	--	--
Lwa (dB)	15					
$\eta_{wh}$	40%	40%	38%	--	--	--
Volume nominal (l)	0,45					
Peso (kg)	2					
Dimensões (mm)	304 x 180 x 110					

Os dados relativos ao consumo de energia e as outras informações fornecidas na ficha de segurança do produto (anexo A do presente manual) foram definidos com base nas Diretivas UE n.º 812/2013 e n.º 814/2013.

Os produtos sem o rótulo e a ficha de dados para aquecedores de água e dispositivos solares, estipulados no regulamento n.º 812/2013, não se destinam a ser utilizados nestes conjuntos.

Os produtos equipados com um botão regulador têm o termostato posicionado na <definição pronto a utilizar> indicada na ficha de dados (anexo A), de acordo com a classe energética declarada pelo fabricante.

**O produto deve ser ligado apenas a uma fonte de alimentação com uma impedância do sistema não superior a 0,237 ohm.**

**Podem ser impostas restrições de ligação pela autoridade de abastecimento para utilização do equipamento se a impedância real do sistema no ponto de interface das instalações do utilizador exceder os 0,237 ohm.**

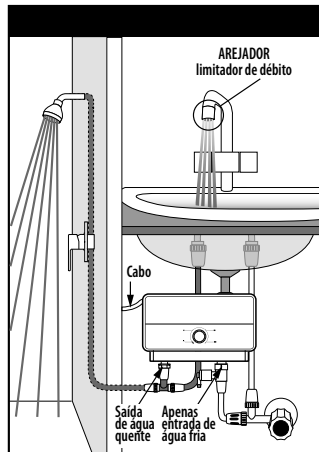
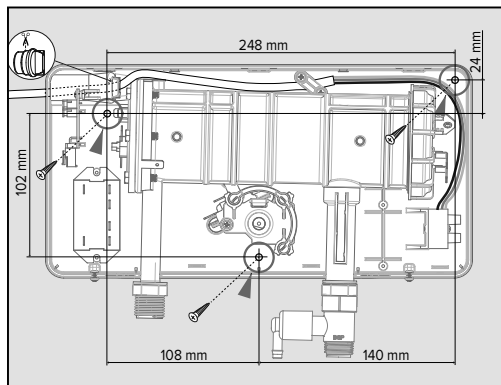
**Este aparelho está em conformidade com as normas internacionais de segurança elétrica IEC 60335-1 e IEC 60335-2-35. Se existente, a marcação CE dos aparelhos atesta a sua conformidade com as seguintes diretivas CE, cujos requisitos essenciais são cumpridos:**

- Diretiva de baixa tensão (DBT): EN 60335-1, EN 60335-2-35, EN 60529, EN 62233, EN 50106.
- Compatibilidade eletromagnética (CEM): EN 55014-1, EN 55014-2, EN 61000-3-2, EN 61000-3-3, EN 61000-3-11 e EN 61000-3-12.
- Produtos relacionados com a energia (ERP): Eu812, Eu814, EN50193-1-2013

## INSTRUÇÕES DE INSTALAÇÃO:

O aparelho deve ser instalado e colocado em funcionamento por um técnico qualificado em conformidade com as regras estabelecidas e com os regulamentos locais em matéria de saúde e segurança.

1. Antes de efetuar qualquer operação, desligue o aparelho da corrente elétrica utilizando o interruptor externo
2. Desaperte os dois parafusos localizados na parte inferior do dispositivo e retire a tampa da base.
3. Fixe a base na horizontal contra uma parede ou a parte lateral do armário. Os tubos de entrada e saída de água encontram-se na parte inferior da unidade. Utilize os 2 parafusos de fixação fornecidos.



4. **Utilize o filtro da água fornecido na canalização da entrada de água (consulte diagrama)**
5. Ligue na canalização de entrada de água (apenas água fria) o tubo de entrada de água da parte inferior direita e na canalização de saída de água o tubo de saída de água da parte inferior esquerda. Abra a torneira de abastecimento de água da rede e certifique-se de que não existem fugas de água da unidade
6. Utilizar um interruptor de dois polos em conformidade com as leis nacionais em vigor (abertura entre contactos de pelo menos 3 mm, de preferência equipado com fusíveis) para desligar a alimentação do aparelho
7. Ligue o cabo de alimentação ao aparelho. O aparelho deve ser ligado à terra e o cabo de terra (identificado por uma letra no desenho) é fixado ao terminal marcado com o símbolo  $\oplus$ .
8. Ligue a unidade e certifique-se de que está a funcionar normalmente.
9. Fixe novamente a tampa na base com os 2 parafusos.
10. É necessário incorporar um disjuntor contra falhas de terra/disjuntor de fuga à terra no circuito.
11. **Certifique-se de que instala corretamente a válvula de descompressão (fornecida com o produto) antes do tubo de entrada**
12. **É necessário instalar um limitador para controlo do débito (AREJADOR) no lavatório ou chuveiro.**
13. **AVISO: A UNIDADE DEVE ESTAR DEVIDAMENTE LIGADA À TERRA.**
14. **ESTE AQUECEDOR DEVE TER O SEU PRÓPRIO CIRCUITO INDEPENDENTE UTILIZANDO UM DISJUNTOR COM AS ESPECIFICAÇÕES CORRETAS E LIGAÇÕES APROPRIADAS. CONSULTE A TABELA PARA OBTER INFORMAÇÕES SOBRE O CABO RECOMENDADO.**

**AVISO:** Se o cabo de alimentação for danificado, deve ser substituído pelo fabricante, pelo seu representante ou por uma pessoa com qualificações semelhantes, a fim de evitar perigos.

## INSTRUÇÕES DE FUNCIONAMENTO

1. O seu novo aquecedor instantâneo de água é ativado pelo fluxo. Quando regular o botão numa das 3 definições de potência (I, II, III), o produto liga-se, abra a torneira de água quente. A resistência começa a funcionar e a aquecer a água apenas quando a água começar a circular no aparelho. Tem de deixar circular pelo menos 2,1 litros por minuto de água na unidade para ativar o sistema de aquecimento instantâneo. Deixe circular a água no aquecedor durante alguns minutos.
2. Certifique-se de que limpa com frequência a cabeça do chuveiro para eliminar os sedimentos e garantir um débito de água regular.
3. Certifique-se de que limpa com frequência o filtro da entrada de água.
4. Certifique-se de que o aquecedor instantâneo de água num local aquecido. O aparelho não pode ser instalado em zonas onde possa existir uma queda drástica da temperatura e onde exista o risco de formação de gelo.
5. O utilizador pode ajustar a temperatura da água quente regulando a definição da potência da unidade. O utilizador pode optar configurar o aparelho em 4 posições de potência:
  - O (desligar)- A resistência está desligada.
  - I (baixo) - Só se liga a primeira resistência.
  - II (médio) - Só se liga a segunda resistência.
  - III (alto) - ligam-se a primeira e a segunda resistências, funcionando em conjunto.

## REQUISITOS DE INSTALAÇÃO

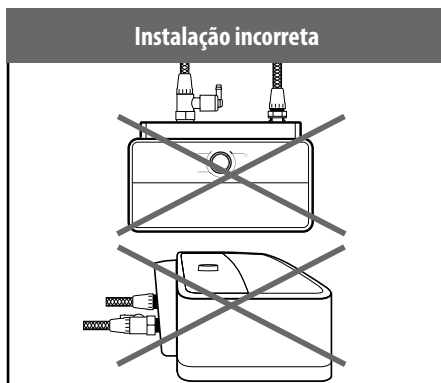
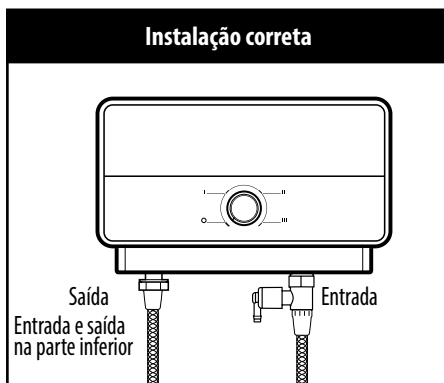
- A. É necessária uma linha elétrica separada.
- B. O dispositivo deve ser ligado a um disjuntor separado.
- C. Para informações sobre o cabo elétrico recomendado para o dispositivo, consulte a tabela I (página seguinte).

## IIINSTALAÇÃO

Consultar os esquemas elétricos no final do manual.

### AVISO!

**ANTES DE INICIAR QUALQUER TRABALHO NA INSTALAÇÃO ELÉTRICA, CERTIFIQUE-SE DE QUE O DISJUNTOR ESTÁ NA POSIÇÃO DESLIGADA PARA EVITAR RISCO DE CHOQUE ELÉTRICO.**



### ATENÇÃO

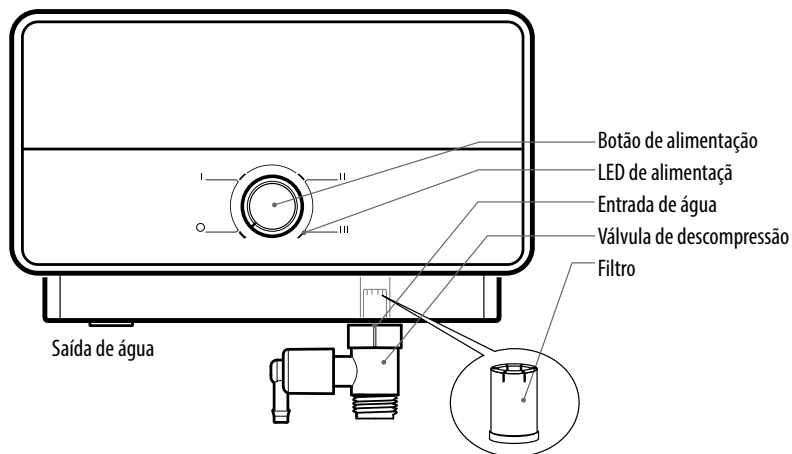
A água que entra no aparelho não deve ser proveniente de outro sistema de aquecimento.

**Tabela I: Cabo recomendado**

Potência	kW carregados	Configuração do aquecimento	Tamanho recomendado para o cabo	Valor nominal recomendado para o fusível
	220-240V			
AURES M 5 EU	5-6	3.0+2.0 kW	H05VV-F 3x4 mm <sup>2</sup>	32 A
AURES M 6 AURES M 6 EU	6-7.1	3.5+2.5 kW	H05VV-F 3x4 mm <sup>2</sup>	32 A
AURES M 7 EU AURES M 7 EG	7-8.3	3.7+3.3 kW	H05VV-F 3x6 mm <sup>2</sup>	40 A
AURES M 7.7 AURES SM2 7.7 EU	7.7-9.1	4.4+3.3 kW	H05VV-F 3x6 mm <sup>2</sup>	40 A
AURES M 7 SASO KSA	7.75	4.4+3.3 kW	H05VV-F 3x6 mm <sup>2</sup>	40 A
AURES M 8	8-9.5	4.0+4.0 kW	H05VV-F 3x6 mm <sup>2</sup>	40 A

• Pressão de funcionamento da água 50-800 kPa (0.5-8 bar) •• Interruptor de alimentação do funcionamento da pressão da água  
Ligação de entrada de compressão de 1/2"Ø padrão • Entrada do cabo do lado superior esquerdo  
Entrada da água do lado inferior direito

**DIMENSÕES DA UNIDADE: ALTURA 180mm LARGURA 304mm PROFUNDIDADE 110mm**



**Este produto está em conformidade com a Diretiva REEE 2012/19/UE.**




O símbolo do contêiner de lixo riscado com uma cruz no aparelho indica que, no fim da sua vida útil, o produto deve ser eliminado separadamente do lixo doméstico, devendo ser entregue num centro de reciclagem de resíduos com instalações dedicadas para equipamentos elétricos e eletrónicos ou devolvido ao revendedor quando adquirir um novo produto. O utilizador é responsável pela eliminação do produto no fim da sua vida útil junto de um centro de reciclagem de resíduos. O centro de reciclagem de resíduos (utilizando um tratamento especial e processos de reciclagem, desmantela e elimina eficazmente o aparelho) ajuda a proteger o ambiente através da reciclagem o material que compõe o produto. Para obter mais informações sobre os sistemas de eliminação de resíduos, visite o sítio da web do centro de reciclagem de resíduos da sua localidade ou consulte o revendedor onde adquiriu o produto.

## Resolução de problemas

SINTOMA	CAUSA POSSÍVEL	SOLUÇÃO
A água não é suficiente	Demasiada água a circular através do aquecedor  Redução da temperatura ambiente  Pressão da água abaixo dos 100 kPa  Avaria elétrica	Reduza o débito da água através da torneira de saída.  Mude para uma definição de temperatura mais elevada.  Certifique-se de que a válvula de corte da rede está completamente aberta e de que não existem outras restrições na linha de abastecimento.  Solicite a verificação da unidade do aquecedor a um electricista qualificado ou contacte o seu distribuidor local autorizado.
A água está demasiado quente	Não existe água suficiente a circular através do aquecedor  Aumento da temperatura ambiente	Aumente o débito através da torneira de saída.  Mude para uma definição de temperatura mais baixa.
O aquecedor desliga-se durante a utilização	Corte da rede de abastecimento elétrico  Desengate do ELSD, possível fuga à terra	Verifique o abastecimento de energia, o MCB, os interruptores e a cablagem. Verifique a fuga à terra e restabeleça o ELSD.  Se o problema persistir, contacte o seu distribuidor local autorizado para obter assistência.
A água deixa de sair	Obstrução da cabeça do chuveiro, mangueira do chuveiro torcida ou bloqueada.  Não existe abastecimento de água	Limpe ou substitua a cabeça do chuveiro, certifique-se de que a passagem da água através da mangueira está desobstruída. Substitua, se necessário.  Verifique o abastecimento da água, se a válvula de corte está aberta e certifique-se de que não existem obstruções.
A temperatura da água varia entre quente e fria durante a utilização	A pressão da água caiu abaixo do nível mínimo	Aumente o abastecimento de água quente.
Não existe água quente apesar de a torneira da água quente estar completamente aberta	Sem energia elétrica  Não foi atingido o débito de ativação necessário para ligar a resistência.	Verifique o disjuntor e a tensão no bloco de ligação.  Limpe a tela do filtro. <ul style="list-style-type: none"> <li>• Desligue o disjuntor.</li> <li>• Abra a válvula da água quente para libertar a pressão da unidade.</li> <li>• Ligue o disjuntor.</li> </ul>

## OGÓLNE INSTRUKCJE BEZPIECZEŃSTWA

1. Niniejsza instrukcja stanowi nieodłączną część produktu. Przechowywać ją w pobliżu produktu i przekazać następnemu użytkownikowi/właścicielowi w razie zmiany własności.
2. Przeczytać uważnie instrukcje i ostrzeżenia zawarte w niniejszej instrukcji, które zawierają ważne informacje dotyczące bezpiecznej instalacji, użytkowania i konserwacji.
3. Urządzenie musi zostać zainstalowane i uruchomione przez wykwalifikowanego technika zgodnie z miejscowymi przepisami i przepisami BHP. Przed otwarciem listwy zaciskowej należy wyłączyć wszystkie obwody zasilania.
4. **NIE** używać urządzenia do celów innych niż określone. Producent nie ponosi odpowiedzialności za szkody wynikające z niewłaściwego lub nieprawidłowego użytkowania urządzenia lub nieprzestrzegania zaleceń zamieszczonych w niniejszej instrukcji.
5. Niewłaściwa instalacja może spowodować uszkodzenie własności i obrażenia osób i zwierząt; producent nie ponosi odpowiedzialności za konsekwencje takich działań.
6. **NIE** pozostawiać materiałów opakowaniowych (zszywek, torebek plastikowych, styropianu, itp.) w zasięgu dzieci - mogą one spowodować poważne obrażenia.
7. **Urządzenie może być obsługiwane przez dzieci powyżej 3 roku życia oraz osoby o ograniczonej zdolności fizycznej, czuciowej lub psychicznej lub braku doświadczenia i wiedzy, jeśli będą one nadzorowane lub zostaną poinstruowane na temat korzystania z urządzenia w bezpieczny sposób i zrozumieją występujące zagrożenia. Czyszczenie i konserwacja nie mogą być wykonywane przez dzieci bez nadzoru.**
8. Wszelkie naprawy, konserwacje, prace hydrauliczne i podłączenia elektryczne muszą być wykonywane przez wykwalifikowanych techników przy użyciu oryginalnych części zamiennych. Nieprzestrzeganie powyższych instrukcji może zagrozić bezpieczeństwu urządzenia i zwalnia producenta z odpowiedzialności za wszelkie konsekwencje wynikające z tych działań.
9. Temperatura ciepłej wody jest regulowana przez termostat, który działa również jako urządzenie zabezpieczające przed niebezpiecznym przegrzaniem.
10. Połączenia elektryczne należy wykonać zgodnie z instrukcją.
11. Jeśli urządzenie jest wyposażone w przewód zasilający, może on być wymieniony wyłącznie przez autoryzowany punkt serwisowy lub profesjonalnego technika.
12. Należy opróżnić urządzenie, jeśli nie działa lub znajduje się w strefie o ujemnych temperaturach.
13. Nie pozostawiać w kontakcie z urządzeniem lub w jego pobliżu żadnych łatwopalnych przedmiotów.
14. **NIE** Nie dotykać zainstalowanego produktu z bosymi stopami lub mokrym ciałem.
15. Przed użyciem urządzenia i po przeprowadzeniu rutynowej lub nadzwyczajnej konserwacji zaleca się napełnienie zbiornika urządzenia wodą i całkowite opróżnienie go w celu usunięcia wszelkich pozostałości zanieczyszczeń.
16. Pod ogrzewaczem wody nie umieszczać niczego, co mogłoby zostać uszkodzone przez wyciek.

Symbol	Znaczenie
	Nieprzeostreganie tego ostrzezenia moze spowodowac obrazenia, ktore w pewnych okolicznosciach moga byc nawet smiertelne.
	Nieprzeostreganie tego ostrzezenia moze spowodowac szkody lub obrazenia, nawet wlasnosci; roslin i zwierzat
	Przeostregac ogolnych i szczegolowych instrukcji dotyczacych bezpieczenstwa produktu.

## OGOLNE PRZEPISY BEZPIECZENSTWA

Odn.	Ostrzezenie	Ryzyko	Symbol
1.	Nie otwierac urzadzenia ani nie wyjmowac go z instalacji	Zagrozenie porazeniem pradem elektrycznym ze wzgledu na obecnosc sprzetu elektrycznego pod napieciem. Obrazenia ciala spowodowane przez czesci i rany spowodowane na skutek kontaktu z ostrzymi krawedziami	
2.	Nie uruchamiac ani nie zatrzymywac urzadzenia poprzez wsuwanie/ciagniecie wt	Zagrozenie porazeniem pradem elektrycznym w wyniku uszkodzenia przewodu zasilajacego, jego wtyczki lub gniazda	
3.	Nie uszkadzac kabla zasilajacego	Zagrozenie porazeniem pradem elektrycznym z powodu kontaktu z nieoslonietymi przewodami pod napieciem	
4.	Nie pozostawiac zadnych przedmiotow na urzadzeniu	Obrazenie ciala spowodowane spadaniem przedmiotow z urzadzenia w wyniku drgan	
		Uszkodzenie urzadzenia lub innej wlasnosci w wyniku upadku przedmiotow z urzadzenia w wyniku drgan	
5.	Nie wspinac sie na urzadzenie	Obrazenia ciala spowodowane upadkiem z urzadzenia	
		Uszkodzenie urzadzenia lub innej wlasnosci w wyniku odlaczenia sie urzadzenia od mocowania	
6.	Nie czyszcic urzadzenia bez uprzedniego wylaczenia, wyciagniecia wtyczki lub wylaczenia zasilania	Zagrozenie porazeniem pradem elektrycznym ze wzgledu na obecnosc sprzetu elektrycznego pod napieciem	
7.	Zainstalowac urzadzenie na solidnej scianie, nienarazonej na drgania	Niebezpieczenstwo upadku urzadzenia ze sciany w wyniku zapadniecia sie konstrukcji lub glownej pracy	
8.	Wykonac podlaczenie elektryczne przy uzyciu kabli o odpowiednim przekroju	Niebezpieczenstwo pozaru w wyniku przegrzania zbyt cienkich przewodow elektrycznych	
9.	Przed przywróceniem uzytkowania przywrócic wszystkie funkcje bezpieczenstwa i sterowania	Niebezpieczenstwo pozaru w wyniku przegrzania zbyt cienkich przewodow elektrycznych	
10.	Przed przystapieniem do pracy przy urzadzeniu, opróznic wszystkie elementy zawierajace goraca wode za pomoca kurkow upustowych	Niebezpieczenstwo poparzen	
11.	Odkamieniac system w sposob wskazany w „karcie bezpieczenstwa produktu”. Podczas wykonywania dzialan nalezy wietrzyc pomieszczenie, stosowac odziez ochronna, nie mieszac produktow i chronic urzadzenie oraz wszelkie sasiednie przedmioty	Uszkodzenia ciala spowodowane kontaktem skory i oczu, wdychaniem lub spozywaniem szkodliwych substancji chemicznych	
		Uszkodzenie urzadzenia i otaczajacych przedmiotow w wyniku korozji spowodowanej kwasnymi substancjami	
12.	Do czyszczenia urzadzenia nie nalezy uzywac srodkow owadobojczych, rozpuszczalnikow ani agresywnych detergentow	Uszkodzenia plastikowych i malowanych czesci i zespolow	

## CHARAKTERYSTYKA TECHNICZNA

Specyfikacje techniczne znajdują się na tabliczce znamionowej (tabliczka znamionowa znajduje się po prawej stronie ogrzewacza wody).

INFORMACJE O PRODUKCIE						
Model	AURES M 5 EU	AURES M 6 AURES M 6 EU	AURES M 7 EU AURES M 7 EG	AURES M 7.7 AURES SM2 7.7 EU	AURES M 7 SASO KSA	AURES M 8
Moc (kW)	5-6	6-7.1	7-8.3	7.7-9.1	7.75	8-9.5
Napięcie (V)	220-240	220-240	220-240	220-240	220-240	220-240
Fazy	Mono					
Instalacja	Wielopunktowa					
Struktura	Zamknięty wylot					
Częstotliwość (Hz)	50/60					
Prąd elektryczny (A)	25	29.6	34.6	37.9	33.7	39.6
Schemat elektryczny	I	II	II	I	II	II
Ochrona wodna	IP25					
Podłączenie rur	1/2" BSP					
Min. przepływ wody (l/min)	2.1					
Qelec (kWh)	2.119	2.119	2.224	--	--	--
Maksymalne ciśnienie wody	800 kPa (8 bar)					
Ładowanie profilu	XXS	XXS	XS	--	--	--
Lwa (dB)	15					
$\eta_{wh}$	40%	40%	38%	--	--	--
Objętość znamionowa (l)	0,45					
Masa (kg)	2					
Wymiary (mm)	304 x 180 x 110					

Dane dotyczące zużycia energii w tabeli i inne informacje zamieszczone w Karcie Danych Produktu (załącznik A do instrukcji) są zdefiniowane na podstawie dyrektyw UE 812/2013 i 814/2013.

Produkty bez etykiety i arkusza danych ogrzewaczy i instalacji słonecznych, przewidziane w rozporządzeniu 812/2013 nie są przeznaczone do stosowania w takich zestawach.

W produktach wyposażonych w pokrętko regulacyjne, termostat jest umieszczony w <gotowym ustawieniu wskazanym w Arkuszu Danych (Załącznik A), zgodnie z którym odpowiednia klasa energetyczna została wskazana przez producenta.

**Produkt powinien być podłączony wyłącznie do zasilania o odpowiedniej impedancji systemu nie większej niż 0,237 omów.**

**Możliwe jest nałożenie ograniczeń w zakresie podłączenia przez odpowiedni organ na korzystanie z urządzeń w rzeczywistej odpowiedniej impedancji systemu w punkcie interfejsu na poziomie użytkownika przekraczającym 0,237 omów.**

Urządzenie jest zgodne z międzynarodowymi przepisami bezpieczeństwa elektrycznego IEC 60335-1 i IEC 60335-2-35. Jeśli występuje, oznakowanie CE urządzeń

potwierdza zgodność z następującymi dyrektywami WE, które spełniają podstawowe wymagania:

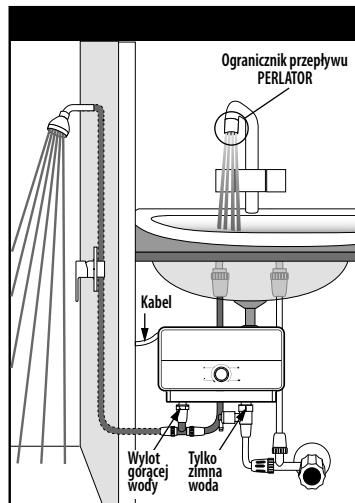
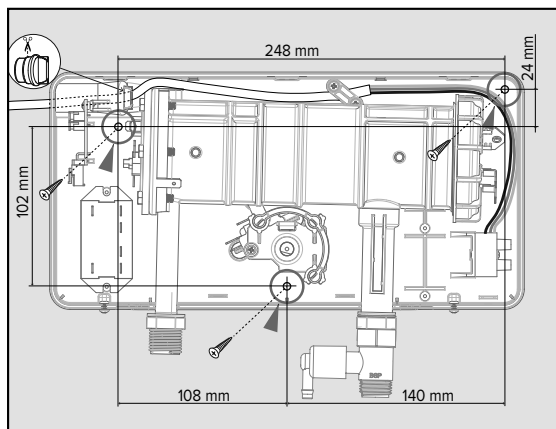
- Dyrektywa niskonapięciowa LVD: EN 60335-1, EN 60335-2-35, EN 60529, EN 62233, EN 50106.
- Kompatybilność elektromagnetyczna EMC: EN 55014-1, EN 55014-2, EN 61000-3-2, EN 61000-3-3, EN 61000-3-11 i EN 61000-3-12.
- Produkty związane z energią ERP: Eu812, Eu814, EN50193-1-2013.



## INSTRUKCJA INSTALACJI

Urządzenie musi zostać zainstalowane i uruchomione przez wykwalifikowanego technika zgodnie z odpowiednimi przepisami i przepisami BHP.

1. Przed wykonaniem jakichkolwiek czynności należy odłączyć urządzenie od sieci elektrycznej za pomocą zewnętrznego przełącznika.
2. Odkręcić dwa śruby znajdujące się u dołu urządzenia i zdjąć pokrywę z podstawy.
3. Przymocować podstawę poziomo do ściany lub bocznej części szafy. A rury wlotowe i wylotowe muszą się znajdować po stronie dolnej/górnej urządzenia. Użyć dostarczonych 3 śrub montażowych.



4. **Użyć dostarczonego filtra wody na linii doprowadzającej wodę (patrz schemat)**
5. Podłączyć linię doprowadzającą wodę (tylko zimną) do wlotowej rury wody z prawej dolnej strony i odprowadzającą wodę do rury wylotowej wody po lewej dolnej stronie. Odkręcić kurek zasilania sieciowego i sprawdzić, czy nie jest obecny wyciek wody z urządzenia.
6. Aby odłączyć zasilanie urządzenia, należy użyć dwubiegunowego wyłącznika zgodnego z obowiązującymi przepisami krajowymi (odległość między stykami co najmniej 3 mm, najlepiej wyposażonego w bezpieczniki).
7. Podłączyć kabel zasilający do urządzenia. Urządzenie musi być uziemione, a kabel uziemiający (oznaczony na rysunku literą a) musi być podłączony do zacisku oznaczonego symbolem  $\oplus$ .
8. Włączyć urządzenie i sprawdzić, czy działa zgodnie w prawidłowy sposób.
9. Podłączyć pokrywę do podstawy za pomocą 2 śrub
10. Wyłącznik obwodu uziemienia/wyłącznik zwarciový musi być wbudowany w obwód.
11. **Upewnić się, że ciśnieniowy zawór nadmiarowy znajdujący się przed rurą wlotową (dostarczany z produktem) jest zainstalowany w prawidłowy sposób**
12. **Na zlewie lub prysznicu zainstalować ogranicznik przepływu (PERLATOR).**
13. **OSTRZEŻENIE: URZĄDZENIE MUSI BYĆ PRAWIDŁOWO UZIEMIONE**
14. **OGRZEWCZ MUSI MIEĆ WŁASNY, NIEZALEŻNY OBWÓD Z WYKORZYSTANIEM PRAWIDŁOWO WYKONANEGO WYŁĄCZNIKA I ODPOWIEDNIEGO PRZEWODU, PATRZ TABELA ZALECANYCH KABLI.**

**OSTRZEŻENIE:** Jeśli przewód zasilający jest uszkodzony, w celu uniknięcia zagrożenia powinien zostać wymieniony przez producenta, jego przedstawiciela serwisowego lub inną, odpowiednio wykwalifikowaną osobę.

## INSTRUKCJA OBSŁUGI

- Państwa nowy Przepływowy Ogrzewacz Wody jest aktywowany w wyniku przepływu wody. Ustawić pokrętko w jednym z 3 ustawień mocy (I, II, III), nastąpi włączenie urządzenia. Odkręcić kran gorącej wody. Element grzejny będzie działał i będzie ogrzewał wodę tylko podczas przepływu wody przez urządzenie. W celu aktywacji systemu ciągłego grzania konieczny jest przepływ co najmniej 2,1 litra na minutę. Przepuszczać wodę przez ogrzewacz przez kilka minut.
- Co jakiś czas czyścić głowicę natryskową z osadu, aby zapewnić płynny przepływ wody.
- Pamiętać, aby co jakiś czas czyścić filtr wlotowy wody.
- Zainstalować przepływowy ogrzewacz wody w ogrzewanym miejscu. Urządzenia nie można instalować w miejscach narażonych na znaczny spadek temperatury i pojawienie się lodu.
- Użytkownik może wyregulować temperaturę gorącej wody regulując moc nastawczą urządzenia. Można wybrać do 4 ustawień pozycji:
  - O (Wyłączony) - Element grzejny jest wyłączony
  - I (Niski) - Włącza się tylko 1. element grzejny
  - II (Średni) - Włącza się tylko 2. element grzejny
  - III (Wysoki) - Włącza się 1. i 2. element grzejny, które ze sobą współpracują.

## WYMOGI INSTALACYJNES

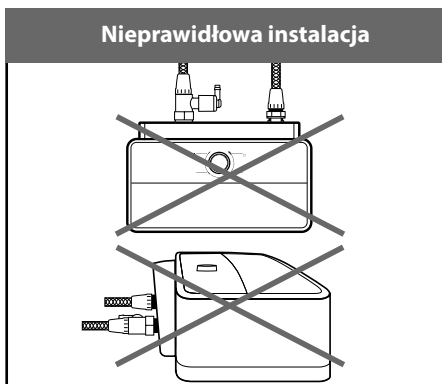
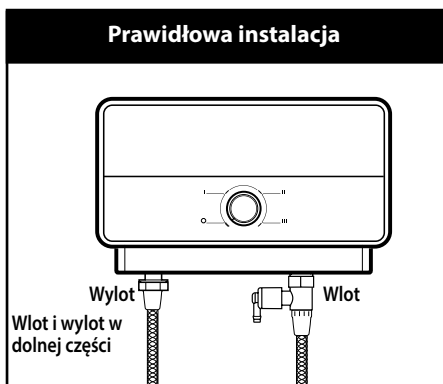
- Wymagana jest osobna linia elektryczna.
- Urządzenie musi być podłączone do oddzielnego wyłącznika automatycznego.
- Zalecany kabel elektryczny do zasilania urządzenia, patrz tabela I (następna strona).

## INSTALACJA

Patrz schemat elektryczny na końcu instrukcji.

### OSTRZEŻENIE!

PRZED ROZPOCZĘCIEM JAKICHKOLWIEK DZIAŁANIA NA INSTALACJI ELEKTRYCZNEJ NALEŻY SIĘ UPEWNIĆ, ŻE WYŁĄCZNIK OBWODU ZNAJDUJE SIĘ W POZYCJI „OFF”, ABY UNIKNĄĆ NIEBEZPIECZEŃSTWA PORĄŻENIA PRĄDEM ELEKTRYCZNYM

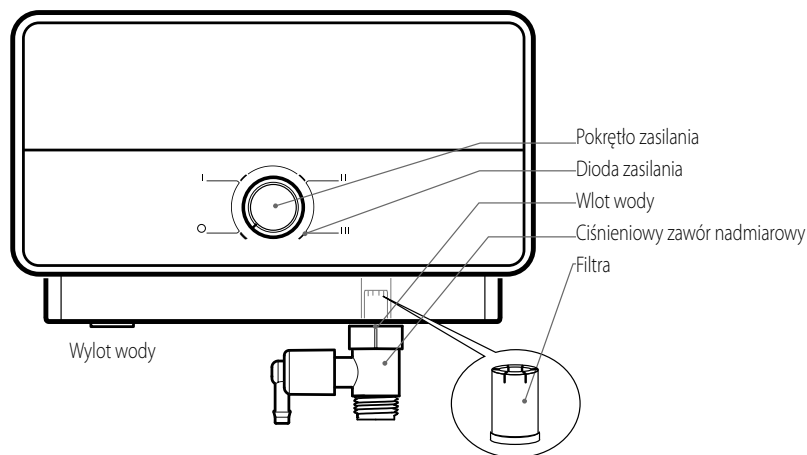


### UWAGA

Nie podłączać wlotu wody tego urządzenia do wlotu wody innego układu ogrzewania wody.

**Tabela I: Zalecany kabel**

Moc Elektryczne	Obciążenie kW	Elementy grzejne	Min. przewód polowy	Zalecana wartość bezpiecznika
	220-240V			
AURES M 5 EU	5-6	3.0+2.0 kW	H05VV-F 3x4 mm <sup>2</sup>	32 A
AURES M 6 AURES M 6 EU	6-7.1	3.5+2.5 kW	H05VV-F 3x4 mm <sup>2</sup>	32 A
AURES M 7 EU AURES M 7 EG	7-8.3	3.7+3.3 kW	H05VV-F 3x6 mm <sup>2</sup>	40 A
AURES M 7.7 AURES SM2 7.7 EU	7.7-9.1	4.4+3.3 kW	H05VV-F 3x6 mm <sup>2</sup>	40 A
AURES M 7 SASO KSA	7.75	4.4+3.3 kW	H05VV-F 3x6 mm <sup>2</sup>	40 A
AURES M 8	8-9.5	4.0+4.0 kW	H05VV-F 3x6 mm <sup>2</sup>	40 A
<ul style="list-style-type: none"> <li>• Ciśnienie robocze wody 50-800 kPa (0.5-8 bar) • Przelącznik przepływu wody</li> <li>• Standardowe przyłącze wlotowe 1/2"Ø • Górne lewe wejście kablowe • Dolny prawe dopływ wody</li> </ul>				
<b>WYMIARY URZĄDZENIA: WYSOKOŚĆ 180mm SZEROKOŚĆ 304mm GŁĘBOKOŚĆ 110mm</b>				



### Produkt jest zgodny z Dyrektywą WEEE 2012/19/UE.

Symbol przekreślonego pojemnika na odpady wskazuje, że pod koniec okresu użytkowania produkt nie powinien być wyrzucany łącznie z odpadami komunalnymi. Należy go utylizować w ośrodku utylizacji odpadów z przeznaczeniem dla urządzeń elektrycznych i elektronicznych lub zwrócić sprzedawcy w chwili zakupu nowego produktu. Użytkownik jest odpowiedzialny za przekazanie produktu po zakończeniu jego eksploatacji do właściwego ośrodka utylizacji.




Ośrodek utylizacji odpadów (który przy użyciu specjalnych procesów przetwarzania i recyklingu skutecznie demontuje i utylizuje urządzenie) pomaga chronić środowisko poprzez odzysk materiału, z którego jest wykonany produkt. Dodatkowe informacje na temat systemów utylizacji odpadów można uzyskać w miejscowym ośrodku utylizacji odpadów lub u sprzedawcy, u którego produkt został zakupiony.

## Rozwiązywanie problemów

OBJAW	MOŻLIWA PRZYCZYNA	ROZWIĄZANIE
Woda nie jest wystarczająco gorąca	Przez grzejnik przepływa zbyt duża ilość wody  Redukcja w temperaturze otoczenia  Ciśnienie wody spadło poniżej 100 kPa  Usterka elektryczna	Zmniejszyć natężenie przepływu wody za pomocą kurka spustowego.  Przełączyć na wyższą temperaturę. Sprawdzić, czy zawór odcinający jest całkowicie otwarty i czy nie występują inne przeszkody na linii doprowadzającej wodę. Zlecić kontrolę ogrzewacza wykwalifikowanemu elektrykowi lub skontaktować się z lokalnym dystrybutorem.
Zbyt gorąca woda	Przez ogrzewacz przepływa zbyt mała ilość wody Wzrost w temperaturze otoczenia	Zwiększyć natężenie przepływu wody za pomocą kurka spustowego. Przełączyć na ustawienie niższej temperatury.
Podczas użytkowania ogrzewacz się wyłącza	Przerwanie zasilania sieciowego	Sprawdzić zasilanie, MCB, przełączniki i okablowanie zasilające. Sprawdzić upływ prądu z uziemienia i skasować ELSD.
Woda przestaje płynąć	Zablokowanie głowicy natryskowej, skręcony lub zablokowany elastyczny przewód natryskowy.  Brak dopływu wody.	Wyczyścić lub wymienić głowicę natryskową, sprawdzić, czy woda przepływa przez przewód. W razie potrzeby wymienić.  Sprawdzić dopływ wody i czy zawór odcinający jest otwarty i nie zawiera blokad.
Temperatura wody podczas użytkowania waha się od gorącej do zimnej	Ciśnienie wody spadło poniżej minimalnego poziomu.	Zwiększyć dopływ gorącej wody.
Brak ciepłej wody pomimo całkowicie otwartego kranu z gorącą wodą	Brak zasilania elektrycznego  Nie osiągnięto natężenia przepływu koniecznego do włączenia elementu grzejnego.	Sprawdzić wyłącznik obwodu i napięcie na bloku przewodów. Wyczyścić ekran filtra <ul style="list-style-type: none"> <li>• Wyłączyć wyłącznik.</li> <li>• Otworzyć zawór gorącej wody, aby</li> <li>• zwolnić ciśnienie z urządzenia.</li> <li>• Włączyć wyłącznik obwodu..</li> </ul>

## ОБЩИЕ УКАЗАНИЯ ПО ТЕХНИКЕ БЕЗОПАСНОСТИ ОСТОРОЖНО!

1. Настоящее руководство является неотъемлемой частью изделия. Сохраните его для справки и передайте следующему собственнику при смене владельца.
2. Внимательно ознакомьтесь с инструкциями и предупреждениями в настоящем руководстве. В них содержатся важная информация по безопасному монтажу, эксплуатации и техническому обслуживанию.
3. Прибор должен устанавливаться и вводить в эксплуатацию квалифицированный специалист в соответствии с действующими нормами и правилами охраны здоровья и техники безопасности. Перед вскрытием клеммной колодки необходимо отключить все силовые цепи.
4. **НЕ пользуйтесь** прибором в целях, отличных от его прямого назначения. Изготовитель не несет ответственности за повреждения, связанные с неправильным или неприемлемым использованием или несоблюдением инструкций, приведенных в настоящем руководстве.
5. Неправильная установка может привести к повреждению имущества и травмам людей и животных. Изготовитель не несет ответственности за последствия.
6. **НЕ оставляйте** упаковочные материалы (скобы, пластиковые пакеты, пенопласт и пр.) в зоне досягаемости детей – они могут получить серьезную травму.
7. **Детям не младше 3 лет и лицам с ограниченными физическими, сенсорными или умственными способностями, а также лицам без опыта пользования или не имеющим необходимых знаний пользоваться прибором разрешается только под надзором или после их надлежащего обучения правилам безопасной эксплуатации прибора с разъяснением связанных с этим опасностей. Дети без присмотра не могут выполнять очистку и техническое обслуживание прибора.**
8. Ремонт, техническое обслуживание, подключение к водопроводу и электрической сети должен выполнять только квалифицированный специалист с применением оригинальных запасных частей. Несоблюдение этого приведет к нарушению системы безопасности прибора, при этом изготовитель снимает с себя всякую ответственность.
9. Температура горячей воды регулируется термостатом, который также является устройством безопасности, предотвращающим перегрев воды.
10. Подключение к электрической сети следует выполнять согласно инструкции в настоящем руководстве.
11. Если прибор оснащен шнуром питания, замену такого шнура может выполнять только уполномоченный сервисный центр или профессиональный техник.
12. На период простоя сливайте воду из прибора, это особенно важно в областях, где температура окружающего воздуха может падать ниже нуля.
13. **Не оставляйте** горючие материалы в контакте или в непосредственной близости с прибором.
14. **Запрещено** касаться прибора босиком или если кожа частично влажная.
15. Перед тем, как использовать прибор и в ходе работ по плановому и внеплановому ремонту следует наполнить водой бак водонагревателя и еще раз полностью спустить воду с тем, чтобы избавиться от остатков грязи.
16. Не находится под прибором и не размещать какой либо предмет, который может, например, быть поврежден утечкой воды.

Символ	Значение
	Несоблюдение этого предупреждения может привести к травме, даже с летальным исходом в определенных обстоятельствах
	Несоблюдение этого предупреждения может привести к повреждению имущества или травмам людей и животных
	Соблюдайте общие и особые инструкции по технике безопасности при обращении с прибором.

## ОБЩИЕ ПРАВИЛА ТЕХНИКЕ БЕЗОПАСНОСТИ

№	Предупреждение	Риск	Символ
1.	Не вскрывать прибор и не вынимать его из корпуса	Удар электрическим током ввиду наличия компонентов под напряжением. Травмирование – ожоги о горячие поверхности и порезы об острые края.	
2.	Не запускать и не отключать прибор, вставляя/вытягивая вилку в/из розетки	Удар электрическим током ввиду повреждения шнура питания, вилки или розетки.	
3.	Не повреждать шнур питания	Удар электрическим током ввиду прикосновения к оголенным проводам под напряжением.	
4.	Не оставлять предметы на приборе	Травмирование ввиду падения предметов с прибора в результате вибрации.	
		Повреждение прибора или другого имущества ввиду падения предметов с прибора в результате вибрации.	
5.	Не влезать на прибор	Травмирование ввиду падения с прибора.	
		Повреждение прибора или другого имущества ввиду отсоединения прибора от его креплений.	
6.	Не чистить прибор без предварительного отключения, вынув вилку из розетки или с помощью выключателя	Удар электрическим током ввиду наличия компонентов под напряжением.	
7.	Установить прибор на прочной стене, не подверженной вибрации	Опасность падения прибора со стены ввиду конструкционного разрушения или шумная работа.	
8.	Выполнять подключение к электрической сети с помощью кабелей достаточного поперечного сечения	Опасность пожара ввиду перегрева проводов недостаточного размера.	
9.	Восстановить все функции безопасности и управления после проведения работ с прибором и убедиться в исправности его работы после возврата в эксплуатацию	Повреждение или блокирование прибора ввиду неправильных настроек управления.	
10.	Перед техническим обслуживанием слить горячую воду из прибора с помощью спускных кранов	Опасность ожогов	
11.	Очистить систему от накипи как указано в «паспорте безопасности» изделия; при этом проветрить помещение, пользоваться защитной одеждой, не смешивать разные продукты и защитить сам прибор и расположенные поблизости объекты	Травма ввиду попадания на кожу и в глаза, вдыхание или проглатывания токсических химических веществ.	
		Повреждение прибора и расположенных поблизости объектов ввиду коррозии под воздействием кислоты.	
12.	Не пользоваться инсектицидами, растворителями или агрессивными чистящими веществами для очистки прибора	Повреждение пластиковых и окрашенных частей и узлов.	

## ТЕХНИЧЕСКИЕ ХАРАКТЕРИСТИКИ

Технические характеристики см. на шильдике (который расположен справа на водонагревателе).

ИНФОРМАЦИЯ ОБ ИЗДЕЛИИ						
Модель	AURES M 5 EU	AURES M 6 AURES M 6 EU	AURES M 7 EU AURES M 7 EG	AURES M 7.7 AURES SM2 7.7 EU	AURES M 7 SASO KSA	AURES M 8
Мощность (кВт)	5-6	6-7.1	7-8.3	7.7-9.1	7.75	8-9.5
Напряжение (V)	220-240	220-240	220-240	220-240	220-240	220-240
Количество фаз	одна					
Монтаж	несколько точек					
Исполнение	закрытое выход					
Сила тока (Гц)	50/60					
Сила струму (А)	25	29.6	34.6	37.9	33.7	39.6
Электрическая схема	I	II	II	I	II	II
Защита вод	IP25					
Трубное соединение	1/2" BSP					
Мин. поток воды	2.1					
Элэк. (кВтч)	2.119	2.119	2.224	--	--	--
Макс. давление воды	800 kPa (8 бара)					
Схема нагрузки	XXS	XXS	XS	--	--	--
Lwa (дБ)	15					
ηwh (Втч)	40%	40%	38%	--	--	--
Номинальный объем (л)	0,45					
Масса (г)	2					
Габаритные размеры (мм)	304 x 180 x 110					

Приведенные в таблице данные потребления электропитания и другая информация, указанная в паспорте изделия (Приложение А к настоящему руководству), определены в соответствии с Директивой ЕС 812/2013 и 814/2013.

Изделия, не имеющие соответствующих отметок на табличках и в паспортах согласно нормам 812/2013, не предназначены для использования в пакетных установках водонагревателей с солнечными батареями.

Изделия с регулирующей ручкой оснащаются термостатом, установленным в положение «готов к использованию» как указано в паспорте (Приложение А), согласно которому изготовитель определяет соответствующий класс энергоэффективности.

**Изделие следует подключать к источнику питания с соответствующим сопротивлением системы не более 0,237 Ом.**

**Энергоснабжающая компания может устанавливать ограничения, если фактическое сопротивление системы в точке подключения потребителя превышает 0,237 Ом.**

**Данный прибор соответствует международным стандартам на электрооборудование IEC 60335-1 и IEC 60335-2-35. При наличии маркировки CE прибор соответствует основным требованиям следующих Директив ЕС:**

- Директива по низковольтному оборудованию: EN 60335-1, EN 60335-2-35, EN 60529, EN 62233, EN 50106.

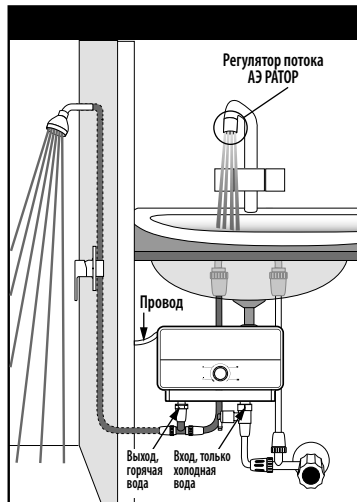
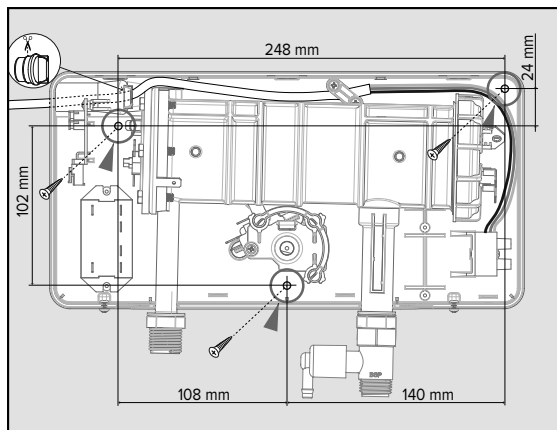
- Электромагнитная совместимость (ЭМС): EN 55014-1, EN 55014-2, EN 61000-3-2, EN 61000-3-3, EN 61000-3-11 и EN 61000-3-12.

- Изделия, потребляющие энергию: Eu812, Eu814, EN50193-1-2013

## УКАЗАНИЯ ПО МОНТАЖУ:

Прибор должен устанавливать и вводить в эксплуатацию квалифицированный специалист в соответствии с действующими нормами и правилами охраны здоровья и техники безопасности.

1. Перед проведением каких-либо работ необходимо отсоединить прибор от электрической сети с помощью внешнего выключателя.
2. Открутите два винта, расположенные снизу устройства, и снимите крышку с основания.
3. Установите основание горизонтально относительно стены или боковой части шкафа, входящую и выходящую трубы. водопровода в нижней части устройства. Используйте 3 монтажных винта из комплекта



### 4. Установите водяной фильтр из комплекта поставки на входящей водопроводной трубе (см. диаграмму)

5. Подсоедините входящую водопроводную трубу (только холодную воду) к входу прибора снизу справа, а выходную трубу – к выходу снизу слева. Откройте водопроводные краны и убедитесь в отсутствии утечки из прибора.
6. Для отсоединения прибора от сети электропитания используйте двухполюсный выключатель, соответствующий действующим национальным нормативам (с расстоянием между разомкнутыми контактами не менее 3 мм, предпочтительно оснащенный предохранителем).
7. Подсоединить провод питания к прибору. Прибор необходимо заземлить. Провод заземления (обозначенный буквой на схеме) подсоединяется к клемме, обозначенной символом  $\oplus$ .
8. Включите прибор и проверьте исправность его работы.
9. Верните на место крышку, закрепив ее 2 вин.
10. Обязательно установите защитный выключатель замыкания на землю в электрической цепи.

### 11. Проверьте, правильно ли установлен клапан сброса давления (входит в комплект поставки) перед входом.

### 12. Необходимо установить регулятор потока (АЭРАТОР) на выход в раковину или душ.

### 13. ПРЕДУПРЕЖДЕНИЕ: ПРИБОР ДОЛЖЕН БЫТЬ ПРАВИЛЬНО ЗАЗЕМЛЕН

### 14. ДАННЫЙ НАГРЕВАТЕЛЬ ДОЛЖЕН БЫТЬ ОСНАЩЕН НЕЗАВИСИМЫМ КОНТУРОМ С АВТОМАТИЧЕСКИМ ВЫКЛЮЧАТЕЛЕМ С ДОСТАТОЧНЫМИ НОМИНАЛЬНЫМИ ХАРАКТЕРИСТИКАМИ И ПРИЕМЛЕМЫМ ПРОВОДОМ, СМ. ТАБЛИЦУ РЕКОМЕНДУЕМЫХ ПРОВОДОВ.

**ПРЕДУПРЕЖДЕНИЕ:** В случае повреждения шнура питания во избежание рисков его замена должна производиться компанией-изготовителем, сотрудником уполномоченного сервисного центра или специалистом, обладающим аналогичной квалификацией.



## ИНСТРУКЦИИ ПО ЭКСПЛУАТАЦИИ

1. Ваш новый проточный водонагреватель включается при наличии необходимого напора воды. Установите ручку в одно из 3 положений (I, II, III). Прибор включится и откроет кран горячей воды, нагревательный элемент будет работать и греть воду только при наличии потока воды через прибор. Скорость потока должна составлять не менее 2,1 литра в минуту, чтобы сработала проточная система нагрева. Дайте воде стечь в течение нескольких минут.
2. Регулярно очищайте лейку от отложений, чтобы гарантировать равномерный поток воды.
3. Регулярно очищайте водяной фильтр на входе.
4. Проточный водонагреватель необходимо монтировать в отапливаемом помещении. Прибор нельзя монтировать в помещениях, где температура воздуха может резко снижаться; это ведет к риску обледенения.
5. Пользователь может регулировать температуру горячей воды, меняя настройку
6. мощности. Возможны 4 варианта настройки:
  - O - нагревательный элемент выключен
  - I - включен только первый нагревательный элемент
  - II - включен только второй нагревательный элемент
  - III - включены оба нагревательных элемента одновременно

## ТРЕБОВАНИЯ К МОНТАЖУ

- A. Необходима отдельная электрическая линия.
- B. Устройство следует подсоединять к отдельному автоматическому выключателю.
- C. Рекомендации по выбору провода для подключения электропитания см. в таблице I (на следующей странице).

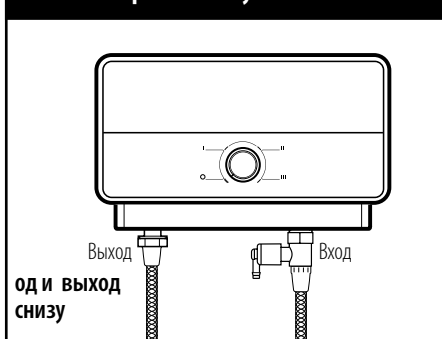
## МОНТАЖ

См. принципиальные схемы в конце буклета.

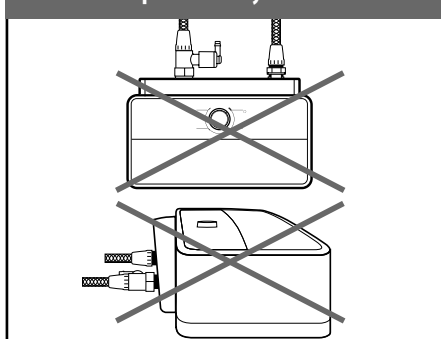
### ВНИМАНИЕ!

**ПЕРЕД НАЧАЛОМ МОНТАЖА ЭЛЕКТРИЧЕСКИХ ЦЕПЕЙ УБЕДИТЕСЬ, ЧТО ВЫКЛЮЧАТЕЛЬ НАХОДИТСЯ В ПОЛОЖЕНИИ «OFF» ВО ИЗБЕЖАНИЕ УДАРА ЭЛЕКТРИЧЕСКИМ ТОКОМ**

#### Правильная установка



#### Неправильная установка



### ВНИМАНИЕ!

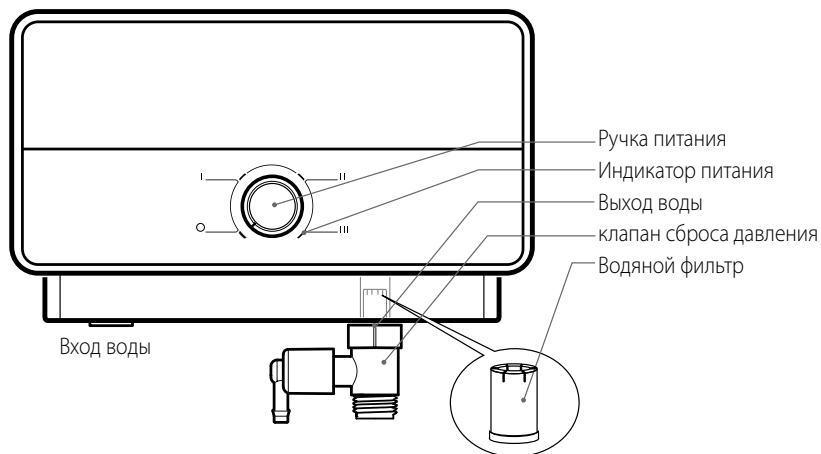
**На вход данного прибора не должна подаваться вода с выхода какой-либо другой нагревательной системы.**

**Таблица I. Рекомендуемые провода**

Мощность	кВт под нагрузкой	Настройка нагрева	Рекомендуемый размер провода	Рекомендуемый предохранитель
	220-240V			
AURES M 5 EU	5-6	3.0+2.0 kW	H05VV-F 3x4 mm <sup>2</sup>	32 A
AURES M 6 AURES M 6 EU	6-7.1	3.5+2.5 kW	H05VV-F 3x4 mm <sup>2</sup>	32 A
AURES M 7 EU AURES M 7 EG	7-8.3	3.7+3.3 kW	H05VV-F 3x6 mm <sup>2</sup>	40 A
AURES M 7.7 AURES SM2 7.7 EU	7.7-9.1	4.4+3.3 kW	H05VV-F 3x6 mm <sup>2</sup>	40 A
AURES M 7 SASO KSA	7.75	4.4+3.3 kW	H05VV-F 3x6 mm <sup>2</sup>	40 A
AURES M 8	8-9.5	4.0+4.0 kW	H05VV-F 3x6 mm <sup>2</sup>	40 A

• Рабочее давление воды 50-800 кПа (0.5-8 бар) • Выключение питания давления воды  
• Стандартное резьбовое соединение Ø1/2" на входе • Ввод провода сверху слева • Вход воды снизу справа

**РАЗМЕРЫ ПРИБОРА: Высота 180мм Ширина 304мм Глубина 110мм**



**ДАННОЕ ИЗДЕЛИЕ СООТВЕТСТВУЕТ ДИРЕКТИВЕ EU 2002/96/ЕС**




Символ «перечеркнутая корзинка» на изделии означает, что по окончании срока службы изделие нельзя выбрасывать с обычным мусором, оно должно быть сдано в центр раздельной утилизации электрических и электронных приборов или в магазин в случае приобретения нового аналогичного изделия. Пользователь несет ответственность за сдачу изделия по окончании его срока службы в надлежащую организацию по утилизации. Надлежащий раздельный сбор мусора для последующей отправки старого изделия на экологически совместимую переработку и утилизацию способствует охране экологии и здоровья, а также позволяет рекуперировать материалы, из которых состоит изделие. За более подробной информацией касательно имеющихся систем утилизации обращайтесь в местную службу утилизации или в магазин, в котором было приобретено изделие

## Поиск и устранение неисправностей

ПРОБЛЕМА	ВОЗМОЖНАЯ ПРИЧИНА	РЕШЕНИЕ
Вода недостаточно горячая	Слишком сильный поток воды через нагреватель  Снижение окружающей температуры  Давление воды ниже 100 кПа  Неисправность электрической системы	Снизьте напор воды, прикрыв кран.  Переключитесь на более высокую настройку температуры.  Проверьте, полностью ли открыт магистральный запорный кран, и нет ли других препятствий в линии.  Сдайте нагреватель на проверку квалифицированному электрику или обратитесь к местному авторизованному дистрибьютору.
Вода слишком горячая	Недостаточный поток воды через нагреватель  Повышение окружающей температуры	Увеличьте напор воды, открыв кран.  Переключитесь на более низкую настройку температуры.
Нагреватель отключается в процессе использования	Отключение электричества в сети  Срабатывание аварийной защиты, возможно, из-за утечки на землю	Проверьте подачу электропитания, автоматический выключатель, переключатели и питающий провод. Проверьте утечку на землю и сбросьте аварийную защиту.  Если проблема сохраняется, обратитесь к авторизованному дистрибьютору за помощью.
Вода перестает течь	Лейка душа закупорена или перекошена, закупорен гибкий шланг душа.  Нет подачи воды.	Очистите или замените лейку, проверьте свободно ли вода проходит по шлангу. Замените при необходимости.  Проверьте, есть ли вода в системе, открыт ли запорный кран, и нет ли закупорок.
Температура воды меняется с горячей на холодную во время использования	Давление воды упало ниже минимального уровня.	Увеличьте подачу горячей воды.
Нет горячей воды, несмотря на полностью открытый кран	Нет электричества  Не достигнут необходимый для включения нагревательного элемента напор воды.	Проверьте положение автоматического выключателя и напряжение в сети.  Очистите сетчатый фильтр <ul style="list-style-type: none"> <li>• Выключите автоматический выключатель.</li> <li>• Откройте кран горячей воды, чтобы сбросить давление в приборе.</li> <li>• Включите автоматический выключатель.</li> </ul>

## ЗАГАЛЬНІ ІНСТРУКЦІЇ З ТЕХНІКИ БЕЗПЕКИ ОБЕРЕЖНО!

1. Ця брошура є невід'ємною частиною виробу. Збережіть її для довідки й передайте будь-якому наступному власнику.
2. Уважно прочитайте інструкції й попередження в цій брошурі, бо вони містять важливу інформацію щодо безпечного встановлення, експлуатації й обслуговування.
3. Прилад має встановлювати й вводити в експлуатацію кваліфікований фахівець відповідно до діючих норм і правил охорони здоров'я й техніки безпеки. Перш ніж розкривати клемну колодку необхідно вимкнути всі силові кола.
4. **НЕ користуйтеся** приладом в цілях, що відрізняються від вказаних. Виробник не несе відповідальності за ушкодження, пов'язані з неправильним або неприйнятним використанням або недотриманням інструкцій, приведених в цій брошурі.
5. Неправильне встановлення може привести до ушкодження майна і травм людей і тварин. Виробник не несе відповідальності за такі наслідки.
6. **НЕ залишайте** пакувальні матеріали (скоби, пластикові пакети, пінопласт, тощо) в межах досяжності дітей, бо це може спричинити важкі травми.
7. **Цей прилад може використовуватися дітьми у віці від 3 років і старше та особами з обмеженими фізичними, сенсорними або розумовими здібностями, або при відсутності досвіду й знань, тільки якщо вони перебувають під наглядом або проінструктовані з питань безпечного використання приладу й розуміють ризик, якому піддаються. НЕ дозволяйте дітям гратись із приладом. Діти без нагляду не можуть очищувати й проводити технічне обслуговування приладу.**
8. Ремонт, технічне обслуговування, підключення до водопроводу й електричної мережі має виконувати тільки кваліфікований фахівець із застосуванням оригінальних запасних частин. Нехтування вказаними вище інструкціями може стати причиною порушення системи безпеки приладу, при цьому виробник відмовляється від будь-якої відповідальності.
9. Температура гарячої води регулюється термостатом, який одночасно є пристроєм безпеки, що запобігає небезпечному перегріванню.
10. Приєднання до електричної мережі необхідно виконувати за інструкціями в цій брошурі.
11. Якщо прилад обладнаний шнуром живлення, заміну такого шнура може виконувати тільки уповноважений сервісний центр або професійний технік.
12. Якщо ви не користуєтеся приладом, зливайте з нього воду, це особливо важливо в областях, де температура навколишнього повітря може падати нижче нуля.
13. Не залишайте будь-які займісті матеріали в контакт з приладом або поруч із ним.
14. **Є заборонено** торкатися приладу мокрими частинами тіла або будучи босоніж
15. Перед використанням приладу і після звичайного або позачергового технічного обслуговування рекомендується заповнити водою резервуар для води і виконати наступну операцію повного зливу для видалення залишкових домішок.
16. Не дозволяється ставити під пристроєм або поруч з ним будь-які предмети, які можуть постраждати в результаті можливого витоку води.

Позначка	Значення
	Нехтування цим попередженням може призвести до травми, за певних обставин навіть з летальним результатом
	Нехтування цим попередженням може призвести до ушкодження майна або травми людей і тварин
	Дотримуйтесь загальних і особливих інструкцій щодо техніки безпеки при поводженні з приладом.

## ЗАГАЛЬНІ ПРАВИЛА ТЕХНІКИ БЕЗПЕКИ

№	Попередження	Ризик	Позначка
1.	Не розкривати прилад і не виймати його з корпусу	Ураження електричним струмом від компонентів під напругою. Травмування – опіки від гарячих поверхонь і порізи о гострі краї.	
2.	Не запускати й не вимикати прилад вставленням/витягування вилки в розетку/з розетки	Ураження електричним струмом в результаті пошкодження шнура живлення, вилки або розетки.	
3.	Не доводити до пошкодження шнура живлення	Ураження електричним струмом в результаті дотику до оголених дротів під напругою.	
4.	Не залишати предмети на приладі	Травмування в результаті падіння предметів з приладу від вібрації.	
		Ушкодження приладу або іншого майна в результаті падіння предметів з приладу від вібрації.	
5.	Не влізати на прилад	Травмування в результаті падіння з приладу.	
		Ушкодження приладу або іншого майна в результаті від'єднання приладу від його кріплень.	
6.	Не чистити прилад без попереднього вимкнення за допомогою витягування вилки з розетки або перемикання вимикача	Ураження електричним струмом від компонентів під напругою.	
7.	Встановити прилад на міцній стіні без вібрації	Небезпека падіння приладу із стіни в результаті конструкційного руйнування або шум під час роботи.	
8.	Виконувати приєднання до електричної мережі за допомогою кабелів достатнього перетину	Небезпека пожежі від перегрівання дротів недостатнього розміру.	
9.	Відновити усі функції безпеки й керування після проведення робіт з приладом і переконатися в справності його роботи після повернення в експлуатацію	Ушкодження або блокування приладу зважаючи на неправильні налаштування керування.	
10.	Перед технічним обслуговуванням злити гарячу воду з приладу за допомогою спускових кранів	Небезпека опіків	
11.	Очистити систему від накипу як вказано в «паспорті безпеки» виробу; при цьому провітрити приміщення, користуватися захисним одягом, не змішувати різні продукти і захистити сам прилад і розташовані поблизу об'єкти	Травма від попадання на шкіру і в очі, вдихання або проковтування токсичних хімічних речовин.	
		Пошкодження приладу або об'єктів навколо нього внаслідок корозії, викликаної кислотними речовинами.	
12.	Не користуватися інсектицидами, розчинниками або агресивними миючими засобами для очищення приладу	Пошкодження пластикових і фарбованих частин і вузлів.	

## ТЕХНІЧНІ ХАРАКТЕРИСТИКИ

Технічні характеристики див. на паспортній табличці (яка розташована справа на водонагрівачі).

ІНФОРМАЦІЯ ПРО ВИРІБ						
Model	AURES M 5 EU	AURES M 6 AURES M 6 EU	AURES M 7 EU AURES M 7 EG	AURES M 7.7 AURES SM2 7.7 EU	AURES M 7 SASO KSA	AURES M 8
Потужність (кВт)	5-6	6-7.1	7-8.3	7.7-9.1	7.75	8-9.5
Напруга (В)	220-240	220-240	220-240	220-240	220-240	220-240
Кількість фаз	одна					
Монтаж	декілька точок					
Виконання	Закритий вихід					
Частота (Гц)	50/60					
електричний струм (А)	25	29.6	34.6	37.9	33.7	39.6
Електрична схема	I	II	II	I	II	II
Захист вод	IP25					
Трубне з'єднання	1/2" BSP					
Мінімальний потік води (л/хв.)	2.1					
Q електр. (кВт·год)	2.119	2.119	2.224	--	--	--
Мінімальний тиск води	800 kPa (8 BAR)					
Профіль навантаження	XXS	XXS	XS	--	--	--
Lwa (дБ)	15					
$\eta_{wh}$	40%	40%	38%	--	--	--
Номинальний об'єм (л)	0,45					
Маса (г)	2					
Габарити (мм)	304 x 180 x 110					

Дані про споживання електричної енергії на табличці й інша інформація, наведена в паспорті виробу (додаток А до цієї брошури), визначені відповідно до Директив ЄС 812/2013 й 814/2013.

Вироби, які не мають відповідних позначок на табличках і в паспортах, як передбачено Директивою 812/2013, не призначені для використання в пакетних установках водонагрівачів з сонячними батареями.

Вироби з ручкою регулювання оснащуються термостатом, який встановлений в положення «готовий до використання» як вказано в паспорті (Додаток А), згідно з яким виробник визначає відповідний клас енергоефективності.

**Виріб слід приєднувати до джерела живлення з відповідним опором системи не більше 0,237 Ом.**

**Енергопостачальна компанія може встановлювати обмеження, якщо фактичний опір системи в точці приєднання споживача перевищує 0,237 Ом.**

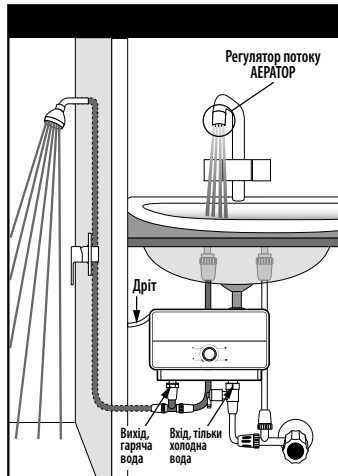
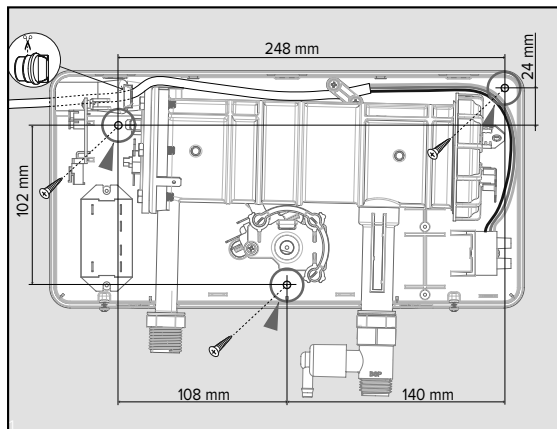
**Цей прилад відповідає міжнародним стандартам електричної безпеки IEC 60335-1 й IEC 60335-2-35. За наявності маркування CE прилад відповідає основним вимогам наступних Директив ЄС:**

- Директива з низьковольтного обладнання (LVD): EN 60335-1, EN 60335-2-35, EN 60529, EN 62233, EN 50106.
- Директива з електромагнітної сумісності (EMC): EN 55014-1, EN 55014-2, EN 61000-3-2, EN 61000-3-3, EN 61000-3-11 і EN 61000-3-12.
- Вироби, що споживають енергію: Eu812, Eu814, EN50193 - 1-2013.

## ІНСТРУКЦІЇ З УСТАНОВЛЕННЯ:

Прилад має встановлювати й вводити в експлуатацію кваліфікований фахівець відповідно до діючих норм і правил охорони здоров'я й техніки безпеки.

1. Перед проведенням будь-яких робіт необхідно від'єднати прилад від електричної мережі за допомогою зовнішнього вимикача.
2. Відкрутіть 2 гвинти, розташовані знизу пристрою, й зніміть кришку з основи.
3. Установіть основу горизонтально відносно стіни або боку шафи, вхідну й вихідну труби водопроводу в нижній частині пристрою. Використовуйте 4 монтажні гвинти з комплекту постачання.



### 4. Встановіть водяний фільтр з комплекту постачання на водопровідній трубі (див. осхему)

5. Приєднайте вхідну водопровідну трубу (тільки холодну воду) до входу приладу знизу праворуч, а вихідну трубу – до виходу знизу ліворуч. Відкрийте водопровідні крани й переконайтеся у відсутності витоків з приладу.
6. Для від'єднання приладу від джерела живлення використовуйте двополюсний вимикач, що відповідає вимогам чинного національного законодавства (зазор між контактами — щонайменше 3 мм, краще якщо обладнаний запобіжниками).
7. Приєднати дрід живлення до приладу. Прилад необхідно заземлити. Дрід заземлення (позначений буквою на схемі) приєднується до клеми, яка позначена символом  $\oplus$ .
8. Ввімкніть прилад і перевірте справність його роботи.
9. Поверніть на місце кришку й закріпіть її 2 гвинтами.
10. Обов'язково встановіть захисний вимикач замикання на землю в електричному колі. d in the circuit.
11. **Перевірте, чи правильно встановлений клапан скидання тиску (входить до комплекту постачання) перед входом.**

### 12. Необхідно встановити регулятор потоку (АЕРАТОР) на вихід у раковину або душ.

### 13. УВАГА! ПРИЛАД МАЄ БУТИ ПРАВИЛЬНО ЗАЗЕМЛЕНИЙ

14. **ЦЕЙ НАГРІВАЧ НЕОБХІДНО ОСНАСТИТИ НЕЗАЛЕЖНИМ КОНТУРОМ З АВТОМАТИЧНИМ ВИМИКАЧЕМ, ЩО МАЄ ДОСТАТНІ НОМІНАЛЬНІ ХАРАКТЕРИСТИКИ Й ДРІТ ВІДПОВІДНОГО РОЗМІРУ, ДИВ. ТАБЛИЦЮ РЕКОМЕНДОВАНИХ ДРОТІВ.**

**УВАГА!** Якщо дрід електроживлення пошкоджений, його необхідно замінити у виробника або в його сервісній службі, або запросити кваліфікованого спеціаліста, щоб уникнути ризику небезпеки.

## ІНСТРУКЦІЇ З ЕКСПЛУАТАЦІЇ

- Ваш новий проточний водонагрівач вмикається за наявності необхідного тиску води. Встановіть ручку в одне з 3 положень (I, II, III). Прилад ввімкнеться й відкриє кран гарячої води, нагрівальний елемент працюватиме і грітиме воду тільки за наявності потоку води через прилад. Швидкість потоку повинна бути не менше 2,1 літра на хвилину, щоб спрацювала проточна система нагрівання. Дайте воді стекти впродовж декількох хвилин.
- Регулярно очищайте лійку від відкладень, щоб гарантувати рівномірний потік води.
- Регулярно очищайте водяний фільтр на вході.
- Проточний водонагрівач необхідно монтувати в приміщенні, що опалюється. Прилад не можна монтувати в приміщеннях, де температура повітря може різко знижуватися; це веде до ризику замерзання.
- Користувач може регулювати температуру гарячої води за допомогою налаштування
- потужності. Можливі 4 варіанти налаштування:
  - О - нагрівальний елемент вимкнений
  - I - ввімкнений тільки перший нагрівальний елемент
  - II - ввімкнений тільки другий нагрівальний елемент
  - III - ввімкнені обидва нагрівальні елементи одночасно

## ВИМОГИ ДО МОНТАЖУ

- Потрібна окрема електрична лінія.
- Прилад слід під'єднувати до окремого автоматичного вимикача.
- Рекомендації щодо вибору дроту для приєднання до електромережі див. у таблиці I (на наступній сторінці).

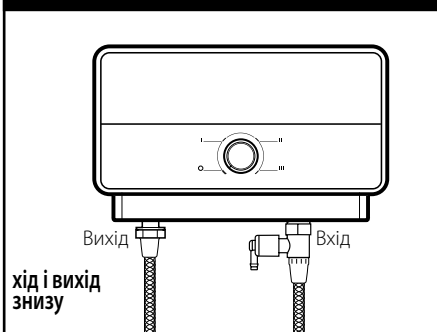
## МОНТАЖ

Див. принципові схеми в кінці буклета.

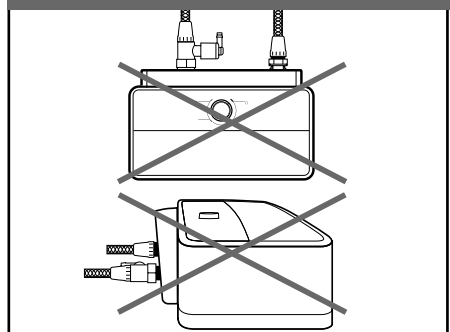
### УВАГА!

**ПЕРЕД ПОЧАТКОМ МОНТАЖУ ЕЛЕКТРИЧНИХ КІЛ ПЕРЕКОНАЙТЕСЯ, ЩО ВИМИКАЧ ЗНАХОДИТЬСЯ В ПОЛОЖЕННІ «OFF», ЩОБ УНИКНУТИ УРАЖЕННЯ ЕЛЕКТРИЧНИМ СТРУМОМ**

#### Правильне встановлення



#### Неправильне встановлення



### УВАГА

Вхід води цього приладу не слід приєднувати до будь-якої іншої системи опалення.

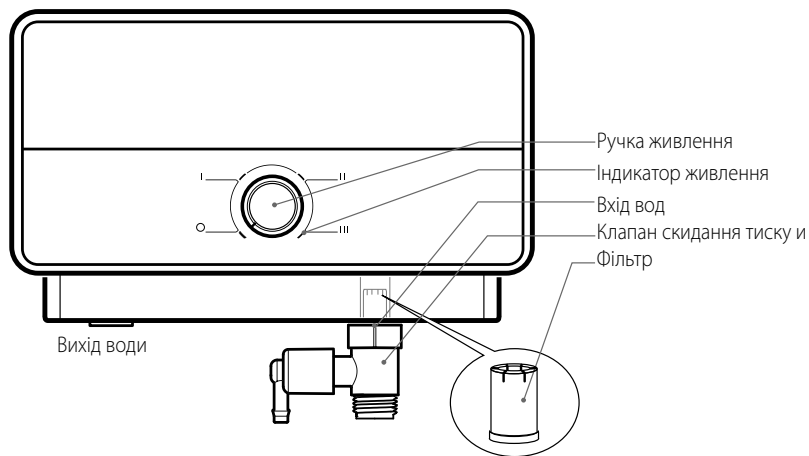


## Таблиця І: Рекомендовані дроти

Найменування моделі	кВт під навантаженням	Налаштування нагрівання	Рекомендований розмір дроту	Рекомендований запобіжник
	220-240V			
AURES M 5 EU	5-6	3.0+2.0 kW	H05VV-F 3x4 mm <sup>2</sup>	32 A
AURES M 6 AURES M 6 EU	6-7.1	3.5+2.5 kW	H05VV-F 3x4 mm <sup>2</sup>	32 A
AURES M 7 EU AURES M 7 EG	7-8.3	3.7+3.3 kW	H05VV-F 3x6 mm <sup>2</sup>	40 A
AURES M 7.7 AURES SM2 7.7 EU	7.7-9.1	4.4+3.3 kW	H05VV-F 3x6 mm <sup>2</sup>	40 A
AURES M 7 SASO KSA	7.75	4.4+3.3 kW	H05VV-F 3x6 mm <sup>2</sup>	40 A
AURES M 8	8-9.5	4.0+4.0 kW	H05VV-F 3x6 mm <sup>2</sup>	40 A

• Робочий тиск води 50-800 кПа (0.5-8 бар) • Вимкнення живлення залежно від тиску води  
• Стандартне пресоване з'єднання Ø1/2" на вході • Вхід дроту згори ліворуч і • Вхід води знизу праворуч

**РОЗМІРИ ПРИБАДУ: Висота 180мм Ширина 304мм Глибина 110мм**



### Цей виріб відповідає Директиві WEEE 2012/19/EU.

Символ перекресленого сміттевого кошику на виробі означає, що після закінчення терміну служби виріб не можна викидати разом із звичайними побутовими відходами. Його необхідно здати до організації, що займається утилізацією електричного й електронного обладнання або повернути продавцю при купівлі нового виробу. Користувач відповідає за правильну утилізацію виробу після закінчення терміну його служби (здача у відповідний центр з переробки відходів).




Організації, що займаються збиранням і утилізацією вторинної сировини (і використовують прийнятні способи переміщення, розбирання й сортування відходів), забезпечують захист довкілля завдяки правильній переробці матеріалів виробу. Для отримання додаткової інформації щодо утилізації відходів звертайтеся до організації зі збору вторинної сировини або до продавця виробу.

## Пошук і усунення несправностей

ПРОБЛЕМА	МОЖЛИВА ПРИЧИНА	РІШЕННЯ
Вода недостатньо гаряча	<p>Занадто сильний потік води через нагрівач</p> <p>Зниження навколишньої температури</p> <p>Тиск води нижче 100 кПа</p> <p>Несправність електричної системи</p>	<p>Знизьте тиск води, прикривши кран.</p> <p>Змініть на більш високе налаштування температури.</p> <p>Перевірте, чи повністю відкритий магістральний запірний кран, і чи немає інших перешкод в лінії.</p> <p>Здайте нагрівач на перевірку кваліфікованому електрику або зверніться до місцевого авторизованого дистриб'ютора.</p>
Вода занадто гаряча	<p>Недостатній потік води через нагрівач</p> <p>Підвищення навколишньої температури</p>	<p>Збільште тиск води, для чого відкрийте кран.</p> <p>Змініть на нижче налаштування температури.</p>
Нагрівач вимикається в процесі використання	Відключення електрики в мережі	Перевірте електроживлення, автоматичний вимикач, перемикачі й дрід живлення. Перевірте витік на землю й скиньте аварійний захист
Вода припиняє текти	<p>Лійка забита або перекошена, забитий гнучкий шланг душа</p> <p>Немає постачання води</p>	<p>Почистіть або замініть лійку, перевірте чи вільно вода проходить по шлангу. Замініть при необхідності.</p> <p>Перевірте, чи є вода в системі, чи відкритий запірний кран, і чи не забиті елементи системи.</p>
Температура води змінюється з гарячої на холодну під час використання	Тиск води впав нижче мінімального рівня	Збільште подачу гарячої води.
Немає гарячої води, незважаючи на повністю відкритий кран	<p>Немає електрики</p> <p>Не досягнутий необхідний для ввімкнення нагрівального елемента тиск води</p>	<p>Перевірте положення автоматичного вимикача й напругу в мережі.</p> <p>Очистіть сітчастий фільтр</p> <ul style="list-style-type: none"> <li>• Вимкніть автоматичний вимикач.</li> <li>• Відкрийте кран гарячої води, щоб скинути тиск в приладі.</li> <li>• Ввімкніть автоматичний вимикач.</li> </ul>

## INSTRUCȚIUNI DE SIGURANȚĂ GENERALE

1. Acest manual este parte integrantă a produsului. Păstrați-l cu grijă împreună cu aparatul, și înmânați-l următorului utilizator/propietar în cazul schimbării proprietarului.
2. Citiți cu atenție instrucțiunile și avertizările din acest manual deoarece acestea conțin informații importante privind instalarea, utilizarea și întreținerea dispozitivului în condiții de siguranță.
3. Aparatul trebuie să fie instalat și pus în funcțiune de un tehnician calificat, în conformitate cu legislația locală și cu reglementările privind sănătatea și siguranța. Toate circuitele de alimentare trebuie să fie oprite înainte să deschideți blocul terminalelor.
4. **NU** utilizați aparatul în alte scopuri decât cele specificate. Producătorul nu este responsabil pentru pagubele ce rezultă din utilizarea necorespunzătoare sau incorectă a aparatului sau din nerespectarea instrucțiunilor cuprinse în acest manual.
5. Instalarea incorectă poate provoca pagube asupra bunurilor și poate duce la vătămarea persoanelor și animalelor; producătorul nu este răspunzător pentru aceste consecințe.
6. **NU** lăsați materialele de ambalare (capse, pungii de plastic, polistiren expandat etc.) la îndemâna copiilor - pot provoca răni grave.
7. **Acest aparat poate fi utilizat de copii cu vârsta de peste 3 ani și de persoane cu capacități fizice, senzoriale sau mentale reduse sau fără experiență și cunoștințe dacă li s-a acordat supraveghere sau instrucțiuni privind utilizarea aparatului într-un mod sigur și dacă înțeleg pericolele implicate. NU lăsați copiii să se joace cu aparatul. Curățarea și întreținerea nu pot fi efectuate de copii lăsați nesupravegheați.**
8. Orice lucrări de reparație, întreținere, instalații și electrice trebuie să fie efectuate de tehnicieni calificați, folosind numai piese de schimb originale. Nerespectarea instrucțiunilor de mai sus poate compromite siguranța aparatului și îl exonerează pe producător de orice răspundere pentru consecințe.
9. Temperatura apei calde este reglată printr-un termostat care acționează și ca dispozitiv de siguranță pentru prevenirea supraîncălzirii la un nivel periculos.
10. Conexiunea electrică trebuie să fie efectuată conform indicațiilor cuprinse în acest manual.
11. Dacă aparatul este echipat cu un cablu de alimentare, acesta poate fi înlocuit doar de un centru service autorizat sau de un tehnician profesionist.
12. Asigurați-vă că aparatul este golit când nu se află în funcțiune sau când este amplasat într-o zonă cu temperaturi sub zero grade.
13. Nu lăsați materiale inflamabile în contact sau în apropierea aparatului.
14. **NU** atingeți aparatul când sunteți în picioarele goale sau dacă aveți orice parte a corpului udă.
15. Înainte de a utiliza dispozitivul sau după efectuarea unor lucrări de întreținere de rutină sau extraordinare, vă recomandăm să umpleți rezervorul aparatului cu apă și să îl goliți complet pentru a îndepărta orice impurități rămase.
16. Nu depozitați nimic sub încălzitorul de apă ce ar putea fi deteriorat în cazul unor scurgeri.

Simbol	Semnificație
	Nerespectarea acestei avertizări poate provoca vătămări personale ce pot fi fatale în anumite circumstanțe
	Nerespectarea acestei avertizări poate provoca pagube sau vătămări, inclusiv asupra bunurilor, plantelor și animalelor
	Respectați instrucțiunile de siguranță generale și specifice ale produsului.

## STANDARDE DE SIGURANȚĂ GENERALE

Ref.	Avertizare	Risc	Simbol
1.	Nu deschideți aparatul și nu îl scoateți din locul de instalare	Pericol de electrocutare din cauza prezenței echipamentelor electrice sub tensiune. Vătămare corporală - arsuri prin supraîncălzire cauzate de componente și răni cauzate de marginile ascuțite	
2.	Nu porniți și nu opriți aparatul prin introducerea/ scoaterea ștecărului din priză	Pericol de electrocutare din cauza defecțiunilor cablului de alimentare, ale ștecărului sau ale prizei	
3.	Nu deteriorați cablul de alimentare	Pericol de electrocutare din cauza firelor sub tensiune libere	
4.	Nu lăsați obiecte pe aparat	Vătămare corporală din cauza obiectelor ce cad de pe aparat în urma vibrațiilor	
		Deteriorări ale aparatului sau ale altor bunuri din cauza obiectelor ce cad de pe aparat ca urmare a vibrațiilor	
5.	Nu vă urcați pe aparat	Vătămare corporală din cauza căderii de pe aparat	
		Deteriorarea aparatului sau a altor bunuri din cauza desprinderii aparatului din suportul de montare	
6.	Înainte de a curăța aparatul, opriți-l, scoateți-l din priză sau închideți întrerupătorul de alimentare	Pericol de electrocutare din cauza prezenței echipamentelor electrice sub tensiune	
7.	Montați aparatul pe un perete solid care nu este supus vibrațiilor	Pericolul ca aparatul să cadă de pe perete din cauza prăbușirii structurii sau din cauza unor operațiuni zgomotoase	
8.	Realizați conexiunea electrică cu cabluri de secțiune corespunzătoare	Pericol de incendiu din cauza supraîncălzirii cablurilor electrice subdimensionate	
9.	Restabiliți toate funcțiile de siguranță și control după ce ați lucrat asupra aparatului și asigurați-vă că sunt operaționale înainte de a pune aparatul în funcțiune	Defectarea sau blocarea aparatului din cauza controlului necorespunzător	
10.	Goliți toate componentele ce conțin apă caldă, folosind valvele de scurgere cocoș, înainte de a le manipula	Pericol de arsuri	
11.	Îndepărtați depunerile de pe sistem așa cum este indicat în „fișa tehnică de securitate” a produsului; când faceți acest lucru, aerisiți camera, purtați îmbrăcăminte de protecție, asigurați-vă că nu amestecați produsele și protejați aparatul, precum și orice alte obiecte adiacente	Vătămare corporală din cauza contactului cu pielea și cu ochii, precum și prin inhalarea sau ingerarea unor substanțe chimice nocive	
		Defectarea aparatului și a obiectelor adiacente din cauza coroziunii provocate de un acid	
12.	Nu folosiți insecticide, solvenți sau detergenți agresivi pentru a curăța aparatul	Deteriorarea pieselor și ansamblurilor din plastic și vopsite	

## CARACTERISTICI TEHNICE

Pentru specificațiile tehnice, vă rugăm să consultați plăcuța cu datele de identificare (plăcuța este poziționată în partea dreaptă a încălzitorului de apă).

INFORMAȚII PRODUS						
Model	AURES M 5 EU	AURES M 6 AURES M 6 EU	AURES M 7 EU AURES M 7 EG	AURES M 7.7 AURES SM2 7.7 EU	AURES M 7 SASO KSA	AURES M 8
Putere (kW)	5-6	6-7,1	7-8,3	7,7-9,1	7,75	8-9,5
Tensiune (V)	220-240	220-240	220-240	220-240	220-240	220-240
Faze	Monofazat					
Instalare	În mai multe puncte					
Construire	Închisă					
Frecvență (Hz)	50/60					
Curent electric (A)	25	29,6	34,6	37,9	33,7	39,6
Schemă electrică	I	II	II	I	II	II
Protecție apă	IP25					
Racord țevi	1/2" BSP					
Debit minim al apei (l/min)	2,1					
Qelec (kWh)	2,119	2,119	2,224	--	--	--
Presiune maximă a apei	800 kPa (8 bar)					
Profil de încărcare	XXS	XXS	XS	--	--	--
Lwa (dB)	15					
$\eta_{wh}$	40%	40%	38%	--	--	--
Volum nominal (l)	0,45					
Greutate (kg)	2					
Dimensiuni (mm)	304 x 180 x 110					

Datele privind consumul de energie din tabel și celelalte informații furnizate în Fișa Tehnică a Produsului (Anexa A la prezentul manual) sunt definite în baza Directivelor UE 812/2013 și 814/2013.

Produsele fără etichetă și fără fișa tehnică pentru încălzitoare de apă și dispozitive solare, prevăzute în regulamentul 812/2013, nu pot fi utilizate în astfel de ansambluri.

Termostatul produselor echipate cu buton de reglare se află în poziția <Gata de utilizare prevăzută în Fișa Tehnică (Anexa A), în baza căreia producătorul a declarat clasa de energie aferentă.

**Acest produs trebuie să fie conectat doar la o sursă de alimentare cu o impedanță care să nu depășească 0,237 ohm.**

**Autoritatea de furnizare poate impune restricții de conexiune privind utilizarea echipamentului în cazul în care impedanța reală relevantă a sistemului la punctul de interfață din locația utilizatorului depășește 0,237 ohm.**

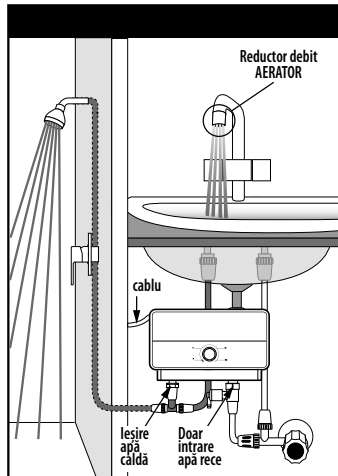
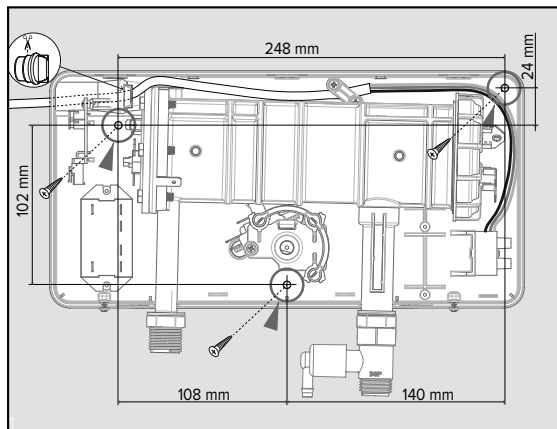
**Acest aparat este conform cu standardele internaționale de securitate electrică IEC 60335-1 și IEC 60335-2-35. Dacă este prezent pe aparat, marcajul CE atestă conformitatea acestuia cu următoarele Directive CE, ale căror cerințe esențiale sunt îndeplinite:**

- Directiva privind joasa tensiune (DJT): EN 60335-1, EN 60335-2-35, EN 60529, EN 62233, EN 50106.
- Compatibilitate electromagnetică (CEM): EN 55014-1, EN 55014-2, EN 61000-3-2, EN 61000-3-3, EN 61000-3-11 and EN 61000-3-12.
- Produse cu impact energetic (PIE): Eu812, Eu814, EN50193-1-2013

## Instrucțiuni de instalare:

Aparatul trebuie să fie instalat și pus în funcțiune de un tehnician calificat, în conformitate cu reglementările stabilite și cu reglementările locale privind sănătatea și siguranța.

1. Înainte de a efectua orice operațiuni, deconectați aparatul de la rețeaua de electricitate folosind întrerupătorul extern.
2. Deșurubați cele două șuruburi poziționate în partea de jos a dispozitivului și îndepărtați capacul.
3. Fixați baza orizontal pe perete sau pe partea laterală a dulapului, astfel încât țevile de apă în intrare și ieșire să fie poziționate în partea de jos a unității. Utilizați cele trei șuruburi de fixare furnizate.



### 4. Utilizați filtrul de apă furnizat pe circuitul țevii de apă în intrare (consultați diagrama)

5. Conectați circuitul apei în intrare (doar rece) la țeava de apă în intrare situată în dreapta jos și circuitul apei în ieșire la țeava de apă în ieșire situată în stânga jos. Deschideți valva de alimentare cu apă și verificați să nu existe scurgeri de apă din unitate.
6. Utilizați un comutator bipolar conform legislației naționale în vigoare (spațiu de contact de cel puțin 3 mm, de preferință echipat cu siguranțe) pentru a deconecta sursa de alimentare a aparatului.
7. Conectați cablul de alimentare la blocul terminalelor din interiorul unității. Aparatul trebuie să fie legat la pământ iar cablul de împământare trebuie să fie fixat la terminalul marcat prin simbolul  $\oplus$ .
8. Porniți unitatea și verificați dacă funcționează corespunzător.
9. Montați la loc capacul cu cele 2 șuruburi.
10. Este necesar să se încorporeze la circuit un întrerupător diferențial de curent la pământ/întrerupător automat la scurgeri electrice către pământ.

### 11. Asigurați-vă că valva de eliberare a presiunii (furnizată împreună cu produsul) este instalată corect, înaintea țevii de intrare.

### 12. Este necesar să se instaleze un reductor pentru controlul debitului (AERATOR) pe chiuvetă sau duș.

### 13. AVERTIZARE: UNITATEA TREBUIE SĂ FIE ÎMPĂMÂNTATĂ CORECT

### 14. ACEST ÎNCĂLZITOR TREBUIE SĂ AIBĂ PROPRIUL SĂU CIRCUIT INDEPENDENT, CU UN ÎNTRERUPĂTOR DE CIRCUIT ADECVAT ȘI CU CABLURI CORESPUNZĂTOARE. CONSULTAȚI TABELUL PENTRU CABLUL RECOMANDAT.

**AVERTIZARE:** În cazul în care cablul de alimentare este deteriorat, acesta trebuie să fie înlocuit de producător, de agentul de service al acestuia sau de persoane calificate similar, pentru evitarea unui pericol.

## INSTRUCȚIUNI DE UTILIZARE

1. Noul dumneavoastră încălzitor de apă instant este activat. Reglați butonul pe unul dintre cele 3 moduri de putere (I, II, III). Produsul va porni și va deschide robinetul de apă. Elementul de încălzire va începe să funcționeze și va încălzi apa doar dacă există o anumită cantitate de apă ce trece prin aparat. Pentru a activa sistemul de încălzire instant, trebuie să permiteți unei cantități de apă de cel puțin 2,1 litri pe minut să treacă prin unitate. Lăsați apa să treacă prin încălzitor timp de câteva minute.
2. Capul de duș trebuie să fie curățat des pentru a preveni depunerile și pentru a asigura un debit fără probleme al apei.
3. Asigurați-vă că filtrul pentru apa în intrare este curățat des.
4. Asigurați-vă că încălzitorul de apă instant este instalat într-o locație încălzită. Aparatul nu poate fi instalat în zone în care temperatura poate scădea drastic, existând astfel riscul de a se forma gheață.
5. Utilizatorul poate ajusta temperatura apei calde prin reglarea modului de putere al unității. Utilizatorul poate alege una dintre cele 4 poziții:
  - O (Alimentare) - Elementul de încălzire este oprit
  - I (Scăzut) - Doar primul element de încălzire este pornit.
  - II (Mediu) - Doar al doilea element de încălzire este pornit.
  - III (Ridicat) - Cele două elemente de încălzire sunt pornite și lucrează împreună.

## CERINȚE DE INSTALARE

- A. Este necesar un circuit electric separat.
- B. Dispozitivul trebuie să fie conectat la un întrerupător de circuit separat.
- C. Trebuie să se utilizeze cablul electric recomandat pentru alimentarea dispozitivului, consultați tabelul I (pagina următoare)

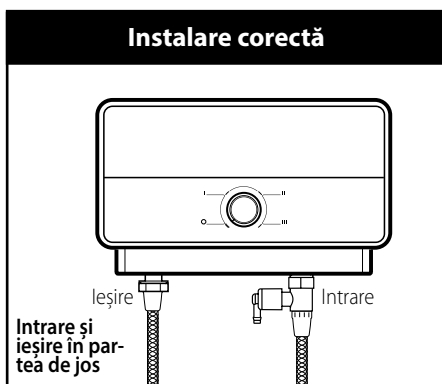
## INSTALARE

Vă rugăm să consultați diagramele de la sfârșitul broșurii.

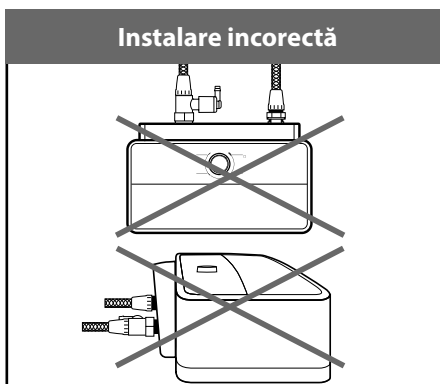
### AVERTIZARE!

ÎNAINTE DE A ÎNCEPE ORICE LUCRARE ASUPRA INSTALAȚIEI ELECTRICE, ASIGURAȚI-VĂ CĂ ÎNTRERUPĂTOARELE DE CIRCUIT SUNT ÎN POZIȚIA „OPRIT” PENTRU A EVITA PERICOLUL DE ELECTROCUTARE

#### Instalare corectă



#### Instalare incorectă



### ATENȚIE

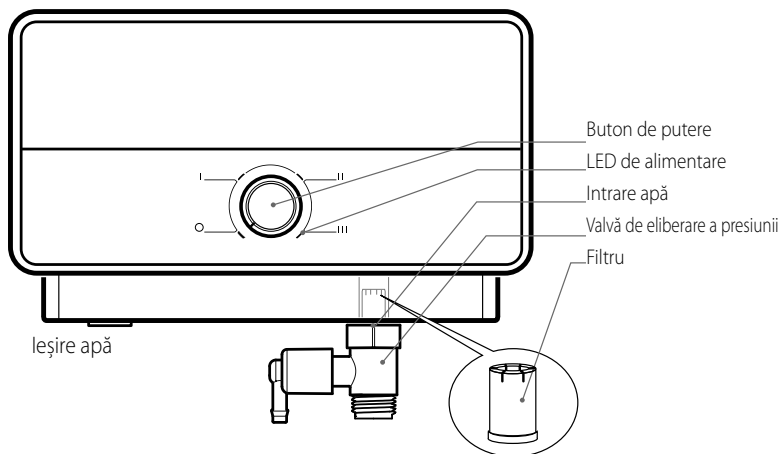
Apa care intră în acest aparat nu trebuie să provină de la un alt sistem de încălzire a apei.

**Tabelul 1: Cablul recomandat**

Putere	kW încărcăți	Setarea încălziri	Dimensiunea cablului recomandată	Siguranță fuzibilă recomandată
	220-240V			
AURES M 5 EU	5-6	3.0+2.0 kW	H05VV-F 3x4 mm <sup>2</sup>	32 A
AURES M 6 AURES M 6 EU	6-7.1	3.5+2.5 kW	H05VV-F 3x4 mm <sup>2</sup>	32 A
AURES M 7 EU AURES M 7 EG	7-8.3	3.7+3.3 kW	H05VV-F 3x6 mm <sup>2</sup>	40 A
AURES M 7.7 AURES SM2 7.7 EU	7.7-9.1	4.4+3.3 kW	H05VV-F 3x6 mm <sup>2</sup>	40 A
AURES M 7 SASO KSA	7.75	4.4+3.3 kW	H05VV-F 3x6 mm <sup>2</sup>	40 A
AURES M 8	8-9.5	4.0+4.0 kW	H05VV-F 3x6 mm <sup>2</sup>	40 A

• Presiunea apei 50-800 kPa (0,5-8 bar) • Întrerupător pentru presiunea apei  
• Racord de intrare standard 1/2"Ø cu comprimare • Intrarea cablului în partea de sus stânga • Intrarea apei în partea de jos dreapta

**DIMENSIUNI UNITATE: ÎNĂLȚIME 180mm LĂȚIME 304mm ADÂNCIME 110mm**



### **Acest produs este conform Directivei DEEE 2012/19/UE.**

Simbolul toberonului barbat pe aparat indică faptul că la sfârșitul ciclului de viață al aparatului, acesta trebuie să fie eliminat separat de deșeurile menajere obișnuite. Aparatul poate fi predat unui centru de eliminare a deșeurilor cu facilități dedicate pentru echipamentele electrice și electronice sau poate fi returnat distribuitorului în momentul achiziționării unui produs nou care îl înlocuiește pe cel vechi. Utilizatorul este responsabil pentru eliminarea produsului la sfârșitul ciclului de viață al acestuia la un centru corespunzător de eliminare a deșeurilor. Centrul de eliminare a deșeurilor (care folosește tratamente speciale și procese de reciclare pentru dezafectarea și eliminarea efectivă a aparatului) ajută la protejarea mediului prin reciclarea materialului din care este fabricat produsul. Pentru informații suplimentare privind sistemele de eliminare a deșeurilor, vizitați centrul nostru local de eliminare a deșeurilor sau distribuitorul de la care ați achiziționat produsul.



## Depanare

PROBLEMĂ	CAUZĂ POSIBILĂ	SOLUȚIE
Apa nu este suficient de caldă	Debitul de apă ce trece prin încălzitor este prea mare  Temperatura ambientală a scăzut  Presiunea apei este sub 100 kPa  Defecțiune electrică	Reduceți debitul de apă prin intermediul robinetului de ieșire.  Setați pe o temperatură mai mare.  Verificați dacă valva de oprire a rețelei este complet deschisă și asigurați-vă că nu există alte restricții pe circuitul de alimentare.  Chemați un electrician calificat să verifice încălzitorul sau contactați distribuitorul autorizat local.
Apa este prea fierbinte	Debitul de apă ce trece prin încălzitor nu este suficient  Temperatura ambientală a crescut	Măriți debitul prin intermediul robinetului de ieșire  Setați pe o temperatură mai mică
Încălzitorul se stinge în timpul funcționării	Alimentarea cu curent electric a fost întreruptă  S-a activat întrerupătorul automat din cauza unei posibile scurgeri către pământ	Verificați alimentarea cu curent electric în intrare, comutatoarele și cablurile de alimentare. Verificați scurgerile către pământ și resetați întrerupătorul automat pentru scurgeri către pământ  Dacă problema persistă, contactați distribuitorul dumneavoastră autorizat local pentru asistență.
Apa nu curge	Capul dușului s-a blocat, furtunul flexibil al dușului s-a răsucit sau s-a blocat.  Alimentarea cu apă a fost sistată.	Curățați sau înlocuiți capul de duș, verificați dacă apa trece liber prin furtun. Dacă este cazul, înlocuiți-le.  Verificați alimentarea cu apă, asigurați-vă că valva de oprire este deschisă și că nu există blocaje.
Temperatura apei fluctuează de la cald la rece în timpul folosirii	Presiunea apei a scăzut sub nivelul minim.	Măriți debitul de apă caldă.
Nu curge apă caldă deși robinetul de apă caldă este complet deschis	Nu este curent electric  Nu s-a atins debitul necesar pentru activarea elementului de încălzire.	Verificați întrerupătorul circuitului și verificați tensiunea în cabluri.  Curățați filtrul <ul style="list-style-type: none"> <li>• Dezactivați întrerupătorul circuitului</li> <li>• Deschideți valva de apă caldă pentru a elibera presiunea din unitate.</li> <li>• Activați întrerupătorul circuitului.</li> </ul>

## استكشاف الأخطاء وإصلاحها

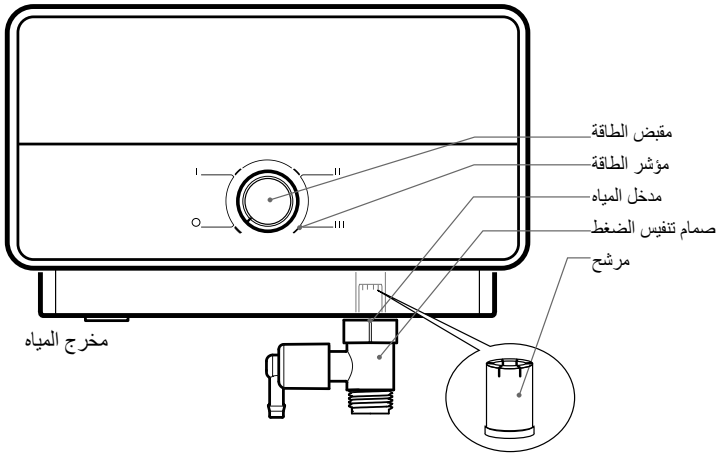
الحل	السبب المحتمل	علامة الخطأ
<p>اخفض معدل تدفق المياه عبر صنبور الإخراج. انتقل إلى إعداد درجة حرارة أعلى.</p> <p>تحقق مما إذا كان الصمام الرئيسي الحابس مفتوحًا بالكامل وأنه لا يوجد انسداد آخر في خط الإمداد.</p> <p>يمكنك الاستعانة بفني كهرباء مؤهل لفحص سخنان أو التواصل مع الموزع المحلي المعتمد في منطقتك.</p>	<p>تدفق المياه بكمية أكبر من اللازم عبر سخنان انخفاض درجة الحرارة المحيطة</p> <p>انخفاض ضغط المياه عن 100 كيلو باسكال</p> <p>عطل كهربائي</p>	<p>عدم سخونة المياه بما يكفي</p>
<p>ارفع معدل تدفق المياه عبر صنبور الإخراج انتقل إلى إعداد درجة حرارة أقل.</p>	<p>عدم كفاية تدفق المياه عبر سخنان ارتفاع درجة الحرارة المحيطة</p>	<p>المياه أسخن من اللازم</p>
<p>افحص مصدر إمداد الطاقة الداخلة وقاطع الدائرة الصغيرة (MCB) والمفاتيح وكابلات إمداد الطاقة. وافحص التسرب الأرضي وأعد ضبط جهاز استتعار تسرب الكهرباء (ELSD)</p> <p>في حالة استمرار المشكلة، اتصل بالموزع المحلي المعتمد للمساعدة.</p>	<p>انقطاع التيار الكهربائي الرئيسي</p> <p>تشغيل جهاز استشعار تسرب الكهرباء (ELSD)، تسرب أرضي محتمل</p>	<p>توقف عمل سخنان أثناء الاستخدام</p>
<p>يمكنك تنظيف رأس الدش أو استبداله، والتحقق من مرور المياه عبر الخرطوم دون معوقات. ويجب استبداله عند الضرورة.</p> <p>افحص مصدر إمداد المياه للتحقق من انفتاح الصمام الحابس وعدم انسداده.</p>	<p>انسداد رأس الدش أو التواء خرطوم الدش المرن أو انسداده.</p> <p>انقطاع إمداد المياه.</p>	<p>توقف تدفق المياه</p>
<p>تأكد من زيادة إمداد المياه الساخنة،</p>	<p>انخفاض ضغط المياه إلى دون مستوى الحد الأدنى.</p>	<p>تغير درجة حرارة المياه لتتحول من ساخنة إلى باردة أثناء الاستخدام</p>
<p>افحص قاطع الدائرة وفحص الفولطية في مجتمع الأسلاك.</p> <p>نظف شبكة المرشح</p> <ul style="list-style-type: none"> <li>• أوقف تشغيل قاطع الدائرة</li> <li>• افتح الصمام الساخن لتفقيس الضغط من الوحدة.</li> <li>• شغل قاطع الدائرة.</li> </ul>	<p>انقطاع الطاقة الكهربائية</p> <p>عدم الوصول إلى معدل التدفق المسبب للتنشيط اللازم لتشغيل عنصر التسخين.</p>	<p>عدم وجود مياه ساخنة رغم انفتاح صنبور المياه الساخنة عن آخره</p>

## الجدول 1: الكابيل المُوصى باستخدامه

تصنيف المنصهر الموصى به	الكابيل المُوصى باستخدامه:	إعداد التسخين	مقدار الحمل بالكيلو واط	الطاقة
			240-220 فولت	
32 أمبير	H05VV-F 4×3 مم <sup>2</sup>	2.0+3.0 كيلو واط	6-5	AURES M 5 EU
32 أمبير	H05VV-F 4×3 مم <sup>2</sup>	2.5+3.5 كيلو واط	7.1-6	AURES M 6 AURES M 6 EU
40 أمبير	H05VV-F 6×3 مم <sup>2</sup>	3.3+3.7 كيلو واط	8.3-7	AURES M 7 EU AURES M 7 EG
40 أمبير	H05VV-F 6×3 مم <sup>2</sup>	3.4+4.3 كيلو واط	9.1-7.7	AURES M 7.7 AURES SM2 7.7 EU
40 أمبير	H05VV-F 6×3 مم <sup>2</sup>	3.4+4.3 كيلو واط	7.75	AURES M 7 SASO KSA
40 أمبير	H05VV-F 6×3 مم <sup>2</sup>	4.0+4.0 كيلو واط	9.5-8	AURES M 8

• ضغط المياه التشغيلي بمقدار 50-800 كيلو باسكال (0.5-8 بار) • مفتاح الطاقة للتشغيل لضغط المياه  
• وصلة مدخل الضغط المعياريه بقطر 1/2 بوصة • مدخل للكابل أعلى اليسار • مدخل المياه أسفل اليمين

أبعاد الوحدة: ارتفاع 180 مم عرض 304 مم عمق 110 مم



يتوافق هذا المنتج مع توجيه الاتحاد الأوروبي الخاص بالنفايات الكهربائية والأجهزة الإلكترونية رقم 2012/19/EU.

يشير رمز سلة النفايات الورقية المشطوب عليها بعلامة منقطة الموجود على الجهاز إلى أنه بنهاية العمر التشغيلي للمنتج، يجب التخلص منه بشكل منفصل عن القمامة المنزلية العادية، على أن يتم ذلك في مركز للتخلص من النفايات مزود بمراقف مخصصة للأجهزة الكهربائية والإلكترونية، أو بإعادته إلى بائع التجزئة عند شراء منتج جديد بدلاً منه. يتحمل المستخدم مسؤولية التخلص من المنتج بنهاية عمره الافتراضي في مركز مناسب للتخلص من النفايات. يساعد مركز التخلص من النفايات (الذي يتبع عمليات معالجة وإعادة تدوير خاصة تعمل على تفكيك الجهاز والتخلص منه بطريقة فعالة) على حماية البيئة من خلال إعادة تدوير المواد التي تدخل في صناعة المنتج. لمزيد من المعلومات عن أنظمة التخلص من النفايات، يرجى زيارة المركز المحلي للتخلص من النفايات في منطقتك أو بائع التجزئة الذي اشترت المنتج منه.

## تعليمات التشغيل

1. إن سخان المياه الفوري الجديد لديك يتميز بمعدل تدفق تنشيط فعال. أدر المقبض إلى أحد أوضاع الطاقة الثلاثة: I (منخفض)، II (متوسط)، III (عالٍ)، ومن ثم سيكُون الجهاز على وضع O (التشغيل)، وافتح صنبور المياه الساخنة، وبذلك سيتم تشغيل عنصر التسخين لتدفئة المياه فقط عند تدفُّقها من خلال الجهاز. ستحتاج إلى السماح بتدفق المياه من خلال الوحدة بمقدار 2.1 لتر في الدقيقة بحدٍ أدنى من أجل تنشيط نظام التسخين الفوري. اترك المياه تتدفق من خلال السخان لبضع دقائق.
2. بين الحين والآخر، احرص على تنظيف رأس الدش من الرواسب العالقة به لضمان تدفق المياه بسلاسة.
3. بين الحين والآخر، احرص على تنظيف مرشح المياه الواردة.
4. احرص على تركيب سخان المياه الفوري في مكان دافئ. حيث إنّه لا يمكن تركيبه في الأماكن التي قد تتعرض لانخفاض شديد في درجة الحرارة، بما يشكل خطرًا محتملاً لتكوّن الثلج.
5. يمكن للمستخدم ضبط درجة حرارة المياه الساخنة بتعديل وضع الطاقة الموجود على الوحدة، حيث يستطيع المستخدم الاختيار من بين أربعة أوضاع للطاقة:

- O - عنصر التسخين قيد إيقاف التشغيل
- I - يتم تشغيل عنصر التسخين الأول فقط.
- II - يتم تشغيل عنصر التسخين الثاني فقط.
- III - يتم تشغيل عنصرَي التسخين الأول والثاني معًا.

## متطلبات التركيب

- أ. يلزم توفير خط كهربائي منفصل.
- ب. يجب توصيل الجهاز بقاطع دائرة منفصل.
- ج. يجب استخدام الكابلات الكهربائي الموصى باستخدامه لتغذية الجهاز، انظر الجدول الأول (الصفحة التالية).

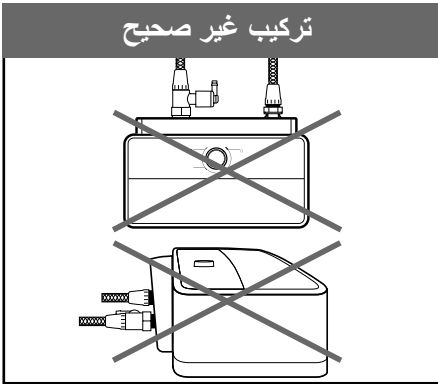
## التركيب

انظر المخططات الكهربائية في نهاية الكتيب.

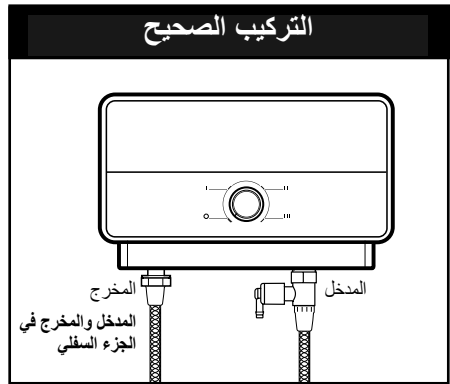
### تحذير!

قبل بدء أي من أعمال التركيبات الكهربائية، تأكد من أن قاطع الدائرة على وضع "إيقاف التشغيل" لتجنب خطر الصعق بالكهرباء

### تركيب غير صحيح



### التركيب الصحيح



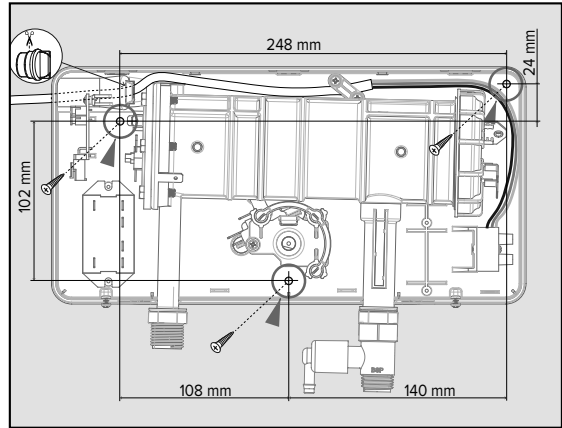
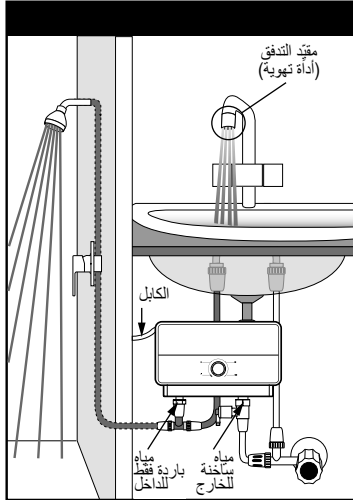
تنبيه

لا يجوز توصيل مدخل مياه هذا الجهاز بمصدر مياه داخل قادم من أي نظام آخر لتسخين المياه

## تعليمات التركيب:

يجب تركيب الجهاز وتشغيله بمعرفة فني مؤهل وفقاً للأنظمة المعمول بها ولوائح الصحة والسلامة المحلية.

1. قبل إجراء أي عمليات على الجهاز، افصل الجهاز من مصدر التيار الكهربائي باستخدام المفتاح الخارجي.
2. فك البرغيين المبروطين أسفل الجهاز وأزل الغطاء من القاعدة.
3. تثبت القاعدة أفقيًا على جدار أو على جانب الخزانة، بحيث يكون أنبوبا دخول المياه وخروجها على الجانب السفلي من الوحدة. استخدم براغي التثبيت الثلاثة المرفقة.



4. استخدم مرشح المياه المرفق على خط أنبوب دخول المياه (انظر المخطط)
5. وصّل وصلة المياه الواردة (الباردة فقط) بأنبوب دخول المياه في الجانب السفلي الأيمن، ووصلة المياه الصادرة بأنبوب خروج المياه في الجانب السفلي الأيسر. افتح صنبور إمداد المياه الرئيسي، وتحقق من عدم تسرب المياه من الوحدة.
6. استخدم مفتاحًا ثنائي القطب يتوافق مع القوانين المحلية المعمول بها (فجوة تلامس لا تقل عن 3 مم، ويفضل أن تكون مزودة بمنصهرات) لفصل إمداد الطاقة عن الجهاز.
7. وصّل أسلاك الطاقة بمجمع أطراف التوصيل داخل الوحدة. يجب تأريض الجهاز وتثبيت الكابل الأرضي على الطرف الموسوم بالرمز ⚡.
8. شغل الوحدة وتحقق من أنها تعمل كما ينبغي.
9. أعد توصيل الغطاء بالقاعدة باستخدام البرغيين.
10. يجب تزويد الدائرة الكهربائية بقواطع للدائرة الكهربائية المتعطلة/قاطع للدائرة الكهربائية المسببة للتسرب الأرضي.
11. احرص على تركيب صمام تنفيس الضغط (المرفق مع المنتج) بالطريقة الصحيحة قبل أنبوب المدخل.
12. يجب تركيب مقيد تحكم في التدفق (أداة تهوية) في الحوض أو الدش.
13. تحذير: يجب تأريض الوحدة بشكل صحيح
14. يجب أن يكون لهذا سخان دائرة مستقلة خاصة به تستخدم قاطع دائرة ذا تصنيف صحيح وسلكًا مناسبًا، انظر الكابل الموصى باستخدامه الموضح في الجدول.

تحذير: في حال تلف سلك الإمداد بالطاقة، فيجب استبداله بمعرفة الشركة المصنعة أو وكيل صيانتها أو غير ذلك من الأشخاص المؤهلين تجنبًا للمخاطر.

## الخصائص الفنية

للاطلاع على المواصفات الفنية، راجع لوحة الاسم (موجودة على الجانب الأيمن من سخان المياه).

معلومات المنتج						الموديل
AURES M 8	AURES M 7 SASO KSA	AURES M 7.7 AURES SM2 7.7 EU	AURES M 7 EU AURES M 7 EG	AURES M 6 AURES M 6 EU	AURES M 5 EU	الطاقة (كيلواط)
9.5-8	7.75	9.1-7.7	8.3-7	7.1-6	6-5	الفولطية (فولط)
240-220	230	240-220	240-220	240-220	240-220	المراحل
أحادي						التردد (هرتز)
متعدد النقاط						التيار الكهربائي (أمبير)
مخرج تصريف مغلق						الحماية ضد المياه
60/50						الوصلة الأنبوبية
39.6	33.7	37.9	34.6	29.6	25	الحد الأدنى لتدفق المياه (لتر/ دقيقة)
IP25						Qelec (كيلواط/ساعة)
أنبوب معياري بريطاني (BSP) مقاس 1/2 بوصة						الحد الأقصى لضغط المياه
2.1						توزيع الحمل الكهربائي
--	--	--	2.224	2.119	2.119	مستوى ضغط القفزة (Lwa) (بالديسيبل)
800 كيلو باسكال (8 بار)						كفاءة الطاقة لتسخين المياه
--	--	--	XS	XXS	XXS	الحجم المقدر (لتر)
15						الوزن (كجم)
--	--	--	%38	%40	%40	الأبعاد (ملم)
0.45						
2						
110 × 180 × 304						

خُدت بيانات استهلاك الطاقة الموضحة بالجدول والمعلومات الأخرى الواردة بورقة بيانات المنتج (الملحق "أ" المرفق بهذا الدليل) وفقاً لتوجيهات الاتحاد الأوروبي رقم 2013/812 و2013/814.

والمنتجات التي لا تتضمن المصنق وورقة البيانات الخاصة بسخانات المياه وأجهزة الطاقة الشمسية والمنصوص عليها في اللائحة 2013/812، غير معدة للاستخدام على النحو المذكور.

تم ضبط ترموستات المنتجات المزودة بمنظم على شكل مقبض على وضع "جاهز للاستخدام" على النحو المشار إليه في ورقة البيانات (الملحق "ب")، الذي ذكرت فيه الشركة المصنعة فئة الطاقة المناسبة.

يجب عدم توصيل المنتج إلا بمصدر طاقة بالمعاوقة المناسبة للنظام والتي لا تتجاوز قيمتها 0.237 أوم.

قد تفرض الجهة المنوط بها التزويد بالطاقة قيوداً تتعلق بالتوصيل، على استخدام الجهاز في إطار المعاوقة المناسبة للنظام التي تتجاوز قيمتها 0.237 أوم عند نقطة الاتصال في المقر الخاص بالمستخدم.

يتوافق هذا الجهاز مع معياري السلامة الكهربائية الدولية IEC 60335-1 وIEC 60335-2-35. في حال وجود علامة CE على الأجهزة، فإن ذلك يؤكد توافق الأجهزة مع توجيهات المفوضية الأوروبية (EC) التالية، التي تفي بالمتطلبات الأساسية اللازمة:

- توجيه الفولطية المنخفضة (LVD): EN 60335-1 ، EN 60335-2-35 ، EN 60529 ، EN 62233 ، EN 50106.
- التوافق الكهرومغناطيسي (EMC): EN 55014-1 ، EN 55014-2 ، EN 61000-3-2 ، EN 61000-3-3 ، EN 61000-3-11 ، EN 61000-3-12.
- المنتجات المرتبطة بالطاقة (ERP): EN 50193-1-2013 ، Eu814 ، Eu812.

الرمز	المعنى
	يمكن أن يؤدي عدم مراعاة هذا التحذير إلى حدوث إصابة قد تكون مميتة في ظروف معينة
	يمكن أن يؤدي عدم مراعاة هذا التحذير إلى حدوث إصابات أو أضرار تلحق بالملكات أو النباتات أو الحيوانات
	احرص على الالتزام بتعليمات السلامة العامة والخاصة للمنتج.

## معايير السلامة العامة

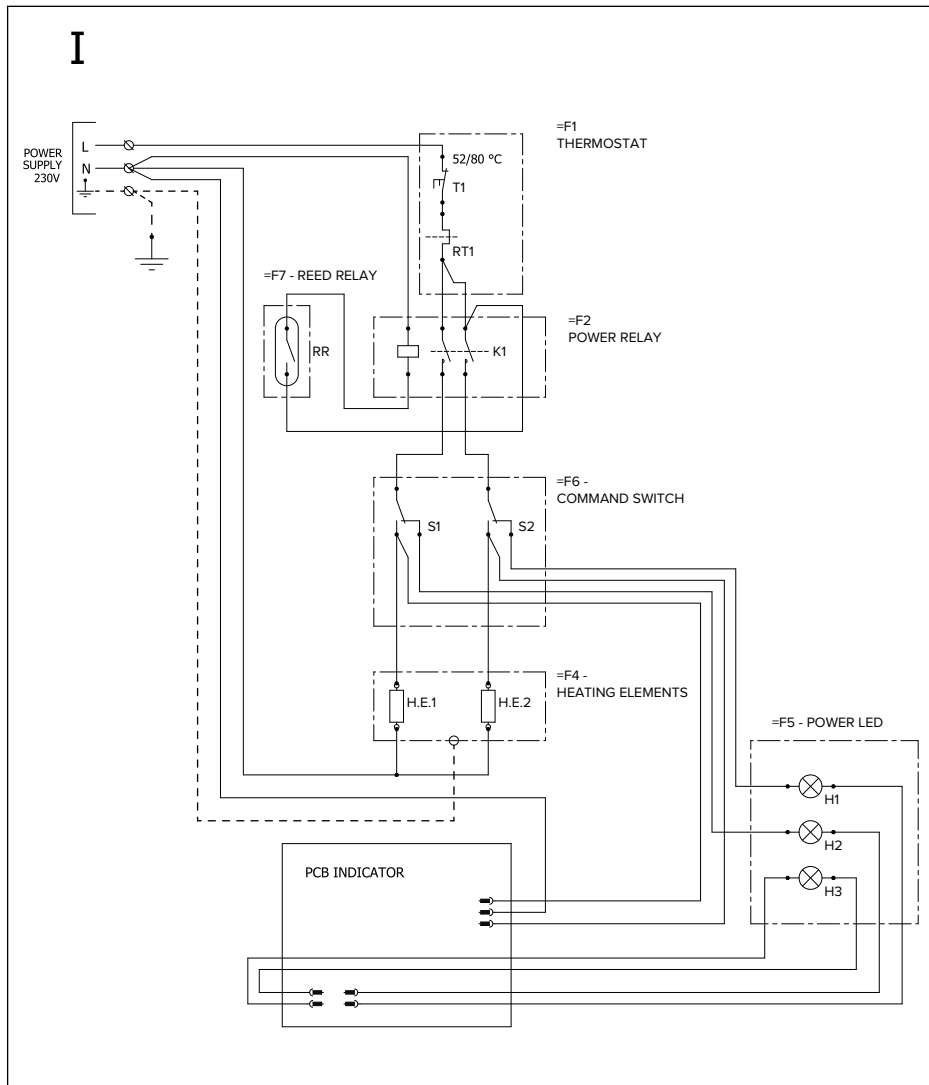
الرمز	الخطر	التحذير	المرجع
	خطر الصعق بالكهرباء بسبب وجود جهاز كهربائي قيد التشغيل، الإصابة الجسدية - حروق ناتجة عن فرط سخونة الأجزاء، وجروح ناتجة عن الحواف الحادة	تجنب فتح الجهاز أو فك أجزائه المركبة	1.
	خطر الصعق بالكهرباء بسبب تلف سلك الطاقة أو القابس أو المقبس الخاص به	تجنب تشغيل الجهاز أو إيقاف تشغيله عن طريق إدخال/إخراج قابس الطاقة	2.
	خطر الصعق بالكهرباء بسبب وجود أسلاك مكشوفة مكهربة	تجنب إتلاف سلك الطاقة	3.
	إصابة جسدية بسبب سقوط الأجسام من على الجهاز نتيجة للاهتزاز	تجنب ترك أجسام على الجهاز	4.
	تلف الجهاز أو الممتلكات الأخرى بسبب سقوط الأجسام من على الجهاز نتيجة للاهتزاز		
	إصابة جسدية بسبب السقوط من فوق الجهاز	تجنب الصعود فوق الجهاز	5.
	تلف الجهاز أو الممتلكات الأخرى بسبب انفصال الجهاز عن وضعه تركيبه		
	خطر الصعق بالكهرباء بسبب وجود جهاز كهربائي قيد التشغيل	تجنب تنظيف الجهاز من دون إيقاف تشغيله أولاً ونزع قابس الطاقة الخاص به أو إغلاق مفتاح الطاقة الخاص به	6.
	خطر سقوط الجهاز من على الجدار بسبب انهيار بنية الجدار، أو التشغيل الصائب	احرص على تركيب الجهاز على جدار صلب غير معرض للاهتزاز	7.
	خطر نشوب حريق بسبب فرط سخونة الأسلاك الكهربائية ذات الأحجام الأصغر مما ينبغي	احرص على تركيب الوصلات الكهربائية باستخدام كابلات ذات مقطع عرضي كاف	8.
	تلف الجهاز أو انسداده بسبب الضغط غير السليم	احرص على استعادة جميع وظائف الأمان وعناصر التحكم بعد العمل في الجهاز، والتحقق من سلامة عملها قبل إعادته للاستخدام	9.
	خطر الإصابة بحروق	احرص على تصريف المياه من جميع الأجزاء المحتوية على المياه الساخنة باستخدام محابس التفريغ، قبل التعامل معها	10.
	إصابة جسدية بسبب ملامسة الجلد والعينين بسبب إضافة مواد كيميائية ضارة أو استنشاقها أو ابتلاعها	تخلص من الرواسب العالقة بالجهاز على النحو الوارد في "ورقة السلامة" الخاصة بالمنتجات؛ وعند فعل ذلك، احرص على تهوية الغرفة وارتداء الملابس الواقية، واحرص على عدم الخلط بين المنتجات وحماية الجهاز نفسه، وكذلك أي أجسام مجاورة	11.
	تلف الجهاز والأجسام المجاورة بسبب الصدا الناتج عن المواد الحمضية		
	تلف الأجزاء والقطع البلاستيكية والمطيلية	تجنب استخدام المبيدات الحشرية أو المذيبات أو المنظفات القوية لتنظيف الجهاز	12.

## تعليمات السلامة العامة

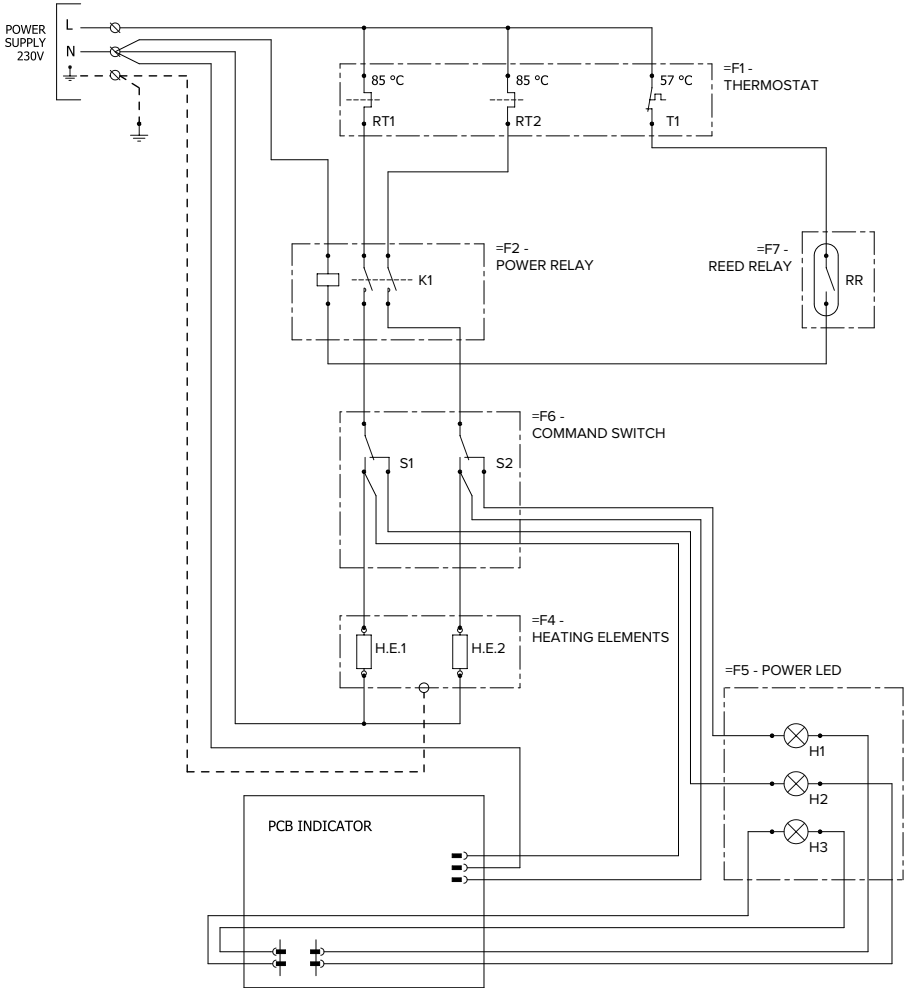
1. هذا الدليل جزء لا يتجزأ من المنتج، لذلك، احتفظ به بعناية مع الجهاز، وفي حالة انتقال ملكيته، سلمه إلى المستخدم/المالك الجديد.
2. اقرأ التعليمات والتحذيرات الواردة في هذا الدليل بعناية، فهي تتضمن معلومات مهمة بشأن التركيب والاستخدام والصيانة بطريقة آمنة.
3. يجب تركيب الجهاز وتشغيله بمعرفة فني مؤهل، وذلك وفقاً للتشريع المحلي ولوائح الصحة والسلامة. ويجب عليك إيقاف تشغيل جميع الدوائر الكهربائية قبل فتح مجمع أطراف التوصيل.
4. تجنّب استخدام الجهاز لأي غرض يخالف غرض الاستخدام المحدد له. ولا تتحمل الشركة المصنّعة أي مسؤولية عن الأضرار الناتجة عن الاستخدام غير الملائم أو الخاطئ أو عدم الالتزام بالتعليمات الواردة في هذا الدليل.
5. قد يسبب التركيب غير الصحيح تلفاً في الممتلكات وإصابات تلحق بالأفراد والحيوانات؛ ولا تتحمل الشركة المصنّعة مسؤولية تجاه هذه العواقب.
6. تجنّب ترك مواد التغليف والتعبئة (المشابك والأكياس البلاستيكية والبوليستيرين الممدد، وغيرها) في متناول الأطفال؛ فقد تسبب إصابات خطيرة.
7. يمكن أن يستخدم هذا الجهاز الأطفال من سن 3 سنوات فأكثر، والأشخاص ذوو القدرات البدنية أو الحسية أو العقلية المنخفضة، أو من تنقصهم الخبرة والمعرفة إذا خضعوا لإشراف أو توجيه بشأن استخدام الجهاز استخداماً آمناً وفهموا المخاطر التي ينطوي عليها. لا تترك الأطفال يعبثون بهذا الجهاز. لا يُسمح بإجراء التنظيف والصيانة بواسطة الأطفال دون إشراف عليهم.
8. يجب أن تجرى جميع الإصلاحات وأعمال الصيانة والسباكة وتركيب الوصلات الكهربائية بمعرفة الفنيين المؤهلين وباستخدام قطع الغيار الأصلية فقط. وقد يؤدي عدم الالتزام بالتعليمات المذكورة أعلاه إلى تهديد سلامة الجهاز وإعفاء الشركة المصنّعة من أي مسؤولية تجاه العواقب.
9. تُنظم درجة حرارة المياه الساخنة باستخدام ترموستات، وهو يعمل أيضاً كجهاز أمان لمنع الأضرار الناتجة عن فرط السخونة.
10. يجب تركيب الوصلات الكهربائية بالطريقة المحددة في هذا الدليل.
11. إذا كان الجهاز مزوداً بسلك طاقة، فيجب عدم استبداله إلا بمعرفة مركز خدمة معتمد أو فني متخصص.
12. احرص على تصريف المياه من الجهاز عندما لا يكون قيد الاستخدام، أو في حالة وجوده في منطقة مُعرضة لدرجات حرارة تحت الصفر.
13. لا تترك أي مواد قابلة للاشتعال ملامسة للجهاز أو بالقرب منه.
14. لا تلمس الجهاز وأنت حافي القدمين أو إذا كان أي جزء من جسمك مبتلاً.
15. قبل استخدام الجهاز وبعد الصيانة الدورية أو الاستثنائية، نوصي بتعبئة خزان الجهاز بالماء وتصريفه بالكامل لإزالة أي شوائب متبقية.
16. لا تضع أي شيء تحت سخان المياه، وإلا فقد يتلف بسبب التسرب.



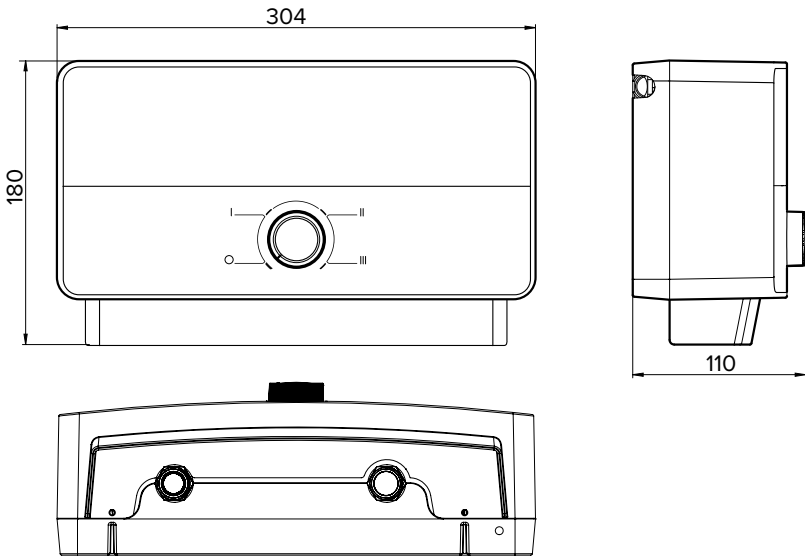
ELECTRICAL WIRING / SCHÉMA ÉLECTRIQUE / ESQUEMA ELÉCTRICO / ЭЛЕКТРИЧЕСКАЯ СХЕМА /  
 ЭЛЕКТРИЧНА СХЕМА / SCHEMAT ELEKTRYCZNY / SCHEMAT ELEKTRYCZNY / CABLURI ELECTRICE /  
 الأسلاك الكهربائية



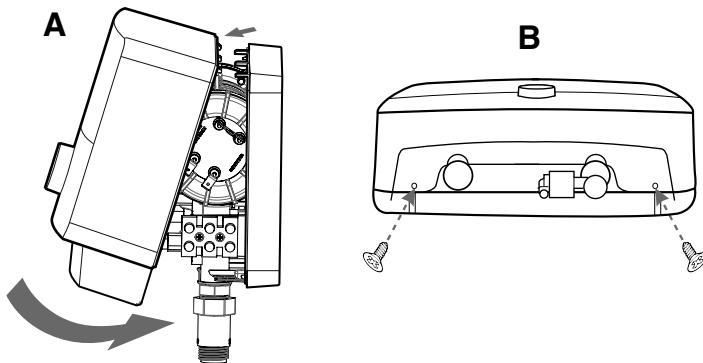
# II



Product sizes / Dimensions du produit/ Medidas del producto/ Tamanhos do produto/ Размеры изделия / Розміри виробу/ Wymiary produktu / Dimensiunile produsului / أحجام المنتج



Close cover Steps / Étapes de fermeture du couvercle / Pasos para el cierre de la tapa / Passos para fechar a tampa / Порядок закрывания крышки/ Kroki zamykania pokrywy / Pași pentru închiderea capacului / خطوات إغلاق الغطاء



42001117300 - 03/2021

---

**Ariston Thermo S.p.A.**

Viale Aristide Merloni, 45

60044 Fabriano (AN)

Tel. (+39) 0732.6011

[ariston.com](http://ariston.com)



WE MAKE USE OF  
RECYCLED PAPER